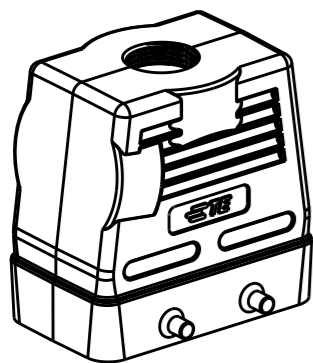
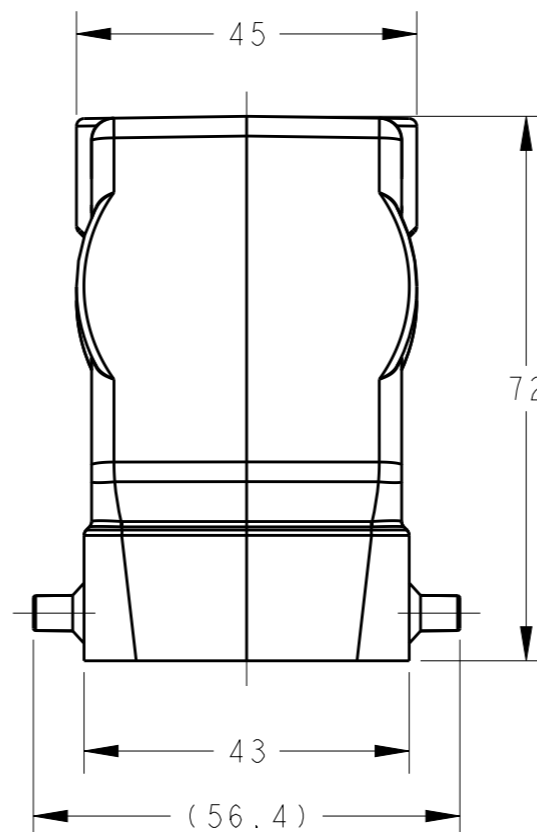
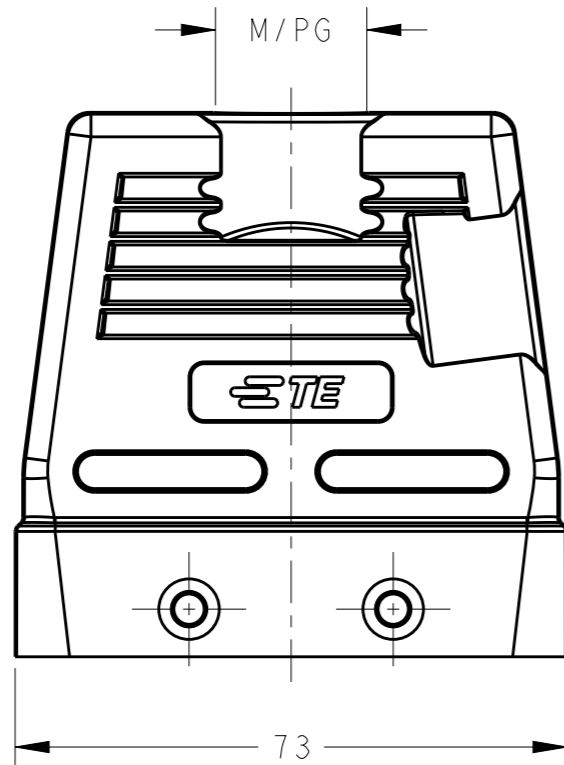


REVISIONS

P	LTR	DESCRIPTION	DATE	DWN	APVD
	A	INITIAL	11JUN2015	DW	CW



SCALE 1:2

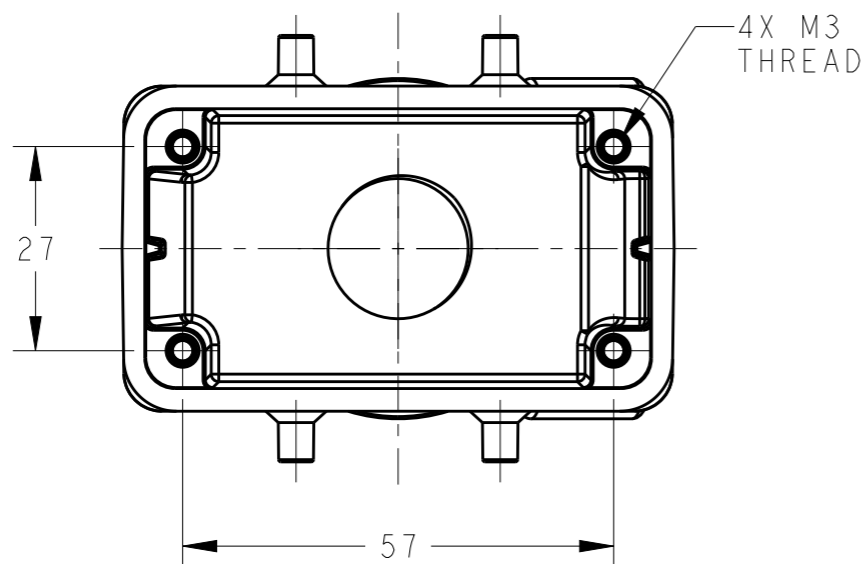


NOTES:


- 1. TECHNICAL CHARACTERISTICS:
 HOOD MATERIAL: DIE CAST ALUMINIUM ALLOY
 SURFACE: POWDER COATED, GREY
 OPERATION TEMPERATURE: -40-+125°C
 DEGREE OF PROTECTION: IP65 (MATED)

注释:

- 1. 技术参数:
 上壳材料: 铝合金
 表面处理: 粉末涂层, 灰色
 工作温度: -40-+125°C
 防护等级: IP65(配合)



T1240100116-000	H10B-TGH-PG16	HIGH CONSTRUCTION	PG16
T1240100120-000	H10B-TGH-M20		M20
T1240100121-000	H10B-TGH-PG21		PG21
T1240100125-000	H10B-TGH-M25		M25
T1240100129-000	H10B-TGH-PG29		PG29
T1240100130-000	H10B-TGH-M30		M30
T1240100132-000	H10B-TGH-M32		M32
T1240100140-000	H10B-TGH-M40		M40
PART NUMBER	DESCRIPTION	TYPE	THREAD M/PG

THIS DRAWING IS A CONTROLLED DOCUMENT.		DWN 11JUN2015 David Wang	 TE Connectivity	
DIMENSIONS: mm		CHK 11JUN2015 Chris Wang		
TOLERANCES UNLESS OTHERWISE SPECIFIED:		APVD 11JUN2015 Xiang Xu	NAME H10B-TGH-M/PG	
0 PLC ±- 1 PLC ±- 2 PLC ±- 3 PLC ±- 4 PLC ±- ANGLES ±-		PRODUCT SPEC 108-137013	RESTRICTED TO	
MATERIAL		APPLICATION SPEC 114-137013	SIZE A3	CAGE CODE 00779
FINISH		WEIGHT	DRAWING NO T12401001XX000	
		Customer Drawing	SCALE 1:1 SHEET 1 OF 1 REV A	

Mouser Electronics

Authorized Distributor

Click to View Pricing, Inventory, Delivery & Lifecycle Information:

[TE Connectivity:](#)

[T1240100130-000](#)