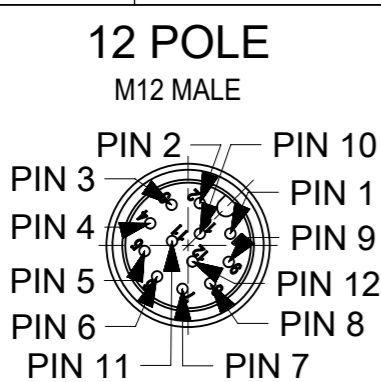


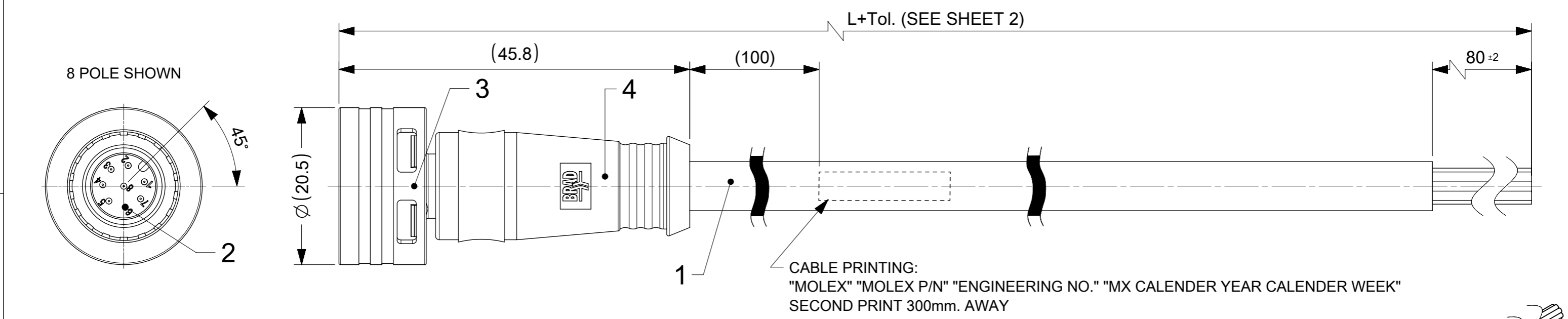
| PIN | WIRE COLOR | PIN | WIRE COLOR |
|-----|------------|-----|------------|
| 1   | WH         | 5   | GY         |
| 2   | BN         | 6   | PK         |
| 3   | GN         | 7   | BU         |
| 4   | YE         | 8   | RD         |



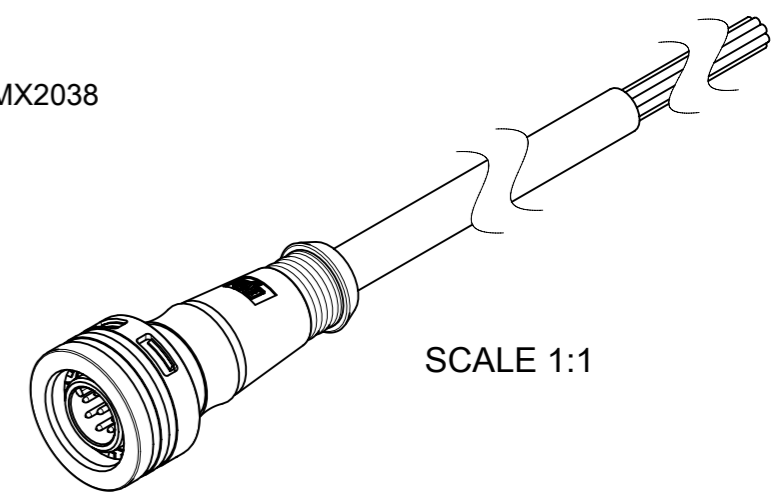
| PIN | WIRE COLOR | PIN | WIRE COLOR |
|-----|------------|-----|------------|
| 1   | WH         | 7   | BU         |
| 2   | BN         | 8   | RD         |
| 3   | GN         | 9   | BK         |
| 4   | YE         | 10  | VT         |
| 5   | GY         | 11  | GY/PK      |
| 6   | PK         | 12  | RD/BU      |

### PART No MATRIX

|                                 |   |                                       |   |                          |   |   |   |   |   |   |   |   |   |   |  |
|---------------------------------|---|---------------------------------------|---|--------------------------|---|---|---|---|---|---|---|---|---|---|--|
| Y                               | 0 | X                                     | 0 | 0                        | 6 | X | X   | X | X | X   | X | X   | X | X   |  |
| Y0= ULTRA LOCK 2.0 SINGLE ENDED |   | POLES:<br>8 = 8 POLES<br>C = 12 POLES |   | HEADER:<br>006= MALE STR |   |   | CABLE:<br>E02 - 8x0.25 PVC BLACK<br>B41 - 8x0.25 WSOR BLACK<br>H08 - 8x0.25 PUR-LS0H BLACK<br>H45 - 12x0.14 PUR BLACK |   |   | UNIT:<br>M = METER<br>F = FEET<br>C = CENTIMETER<br>T = 10M |   | LENGTH:<br>EXAMPLE:<br>010 = 1 m<br>050 = 5 m<br>100 = 10 m |   | OVERMOLD:<br>BLANK = STANDARD BRAD:<br>-YELLOW IN THE USA<br>-BLACK IN EUROPE<br><br>A = GREY<br>E = RED<br>G = BLACK<br>Y = YELLOW<br>H = STD. COLOUR WITH TWO ID-TAG CARRIERS |  |



- NOTES:
- PARTS ACC. TO PRODUCT SPECIFICATION 1204000001 PS P10 AND IN STYLE OF IEC-61076-2-010
  - BOM & PART LIST - SEE SHEET 2
  - RATED VOLTAGE :  
8, 12 CONTACTS: 30V AC OR DC  
RATED CURRENT:  
8 CONTACTS: 2A  
12 CONTACTS: 1.5A,  
DERATING HAS TO BE CONSIDERED  
OVERVOLTAGE CATEGORY: 3  
POLLUTION DEGREE: 3, ONLY IN MATED AND LOCKED CONDITION
  - PROTECTION CLASS: IP 67, ONLY IN MATED AND LOCKED CONDITION
  - TEMPERATURE RANGE:  
TEMPERATURE PLUG/SOCKET: -40 °C TO +85 °C  
TEMPERATURE CABLE: SEE CABLE LIST
  - MECHANICAL OPERATIONS: 100 CYCLES
  - MATES WITH ULTRA-LOCK M12 FEMALE RECEPTACLES
  - PACKAGING: THE CORDSETS ARE SINGLE PACKED IN PLASTIC BAGS AND DELIVERED IN CARTON BOXES
  - UL CSA FILE REGISTRATION PENDING



|  |   |                                       |   |                          |                |
|--|---|---------------------------------------|---|--------------------------|----------------|
| FUNCTIONAL SYMBOLS<br>▽A = 0<br>▽E = 0<br>▽V = 0 | THIS DRAWING CONTAINS INFORMATION THAT IS PROPRIETARY TO MOLEX ELECTRONIC TECHNOLOGIES, LLC AND SHOULD NOT BE USED WITHOUT WRITTEN PERMISSION | SCALE<br>2:1                          | CURRENT REV DESC: NOTES AND CABLE LIST<br>UPDATED |                          |                |
|  | DIMENSION UNITS<br>mm   | GENERAL TOLERANCES (UNLESS SPECIFIED) | EC NO: 736602                                     |                          |                |
|  | ANGULAR TOL ± 1.0 °   | 4 PLACES ±                            | DRWN: RSCHIEBER                                   | 2023/01/24               |                |
|  | DIVISIONAL SYMBOLS  | 3 PLACES ±                            | CHK'D: RSILLER                                    | 2023/01/31               |                |
|  | 2 PLACES ± 0.05   | APPR: RSILLER                         | 2023/01/31  | PRODUCT CUSTOMER DRAWING |                |
|  | 1 PLACE ± 0.3   | INITIAL REVISION:                     | DOCUMENT NUMBER                                   |                          | DOC TYPE       |
|  | 0 PLACES ± 0.5  | DRWN: JELIZAINCIN                     | 2021/01/14  | 1204000116               | PSD            |
|  | DRAFT WHERE APPLICABLE MUST REMAIN WITHIN DIMENSIONS  | APPR: RSILLER                         | 2022/10/14  | DOC PART                 | REVISION       |
|  | THIRD ANGLE PROJECTION  | DRAWING                               | SERIES  | MATERIAL NUMBER          | CUSTOMER       |
|  |   | A3-SIZE                               | 120400  | SEE SHEET 2              | GENERAL MARKET |
|  |   |                                       |   |                          | SHEET NUMBER   |
|  |   |                                       |   |                          | 1 OF 2         |

| PART LIST | MOLEX NO. ENGINEERING NO. LENGHT (MM) |               |               | MOLEX NO. ENGINEERING NO. LENGHT (MM) |  |  | MOLEX NO. ENGINEERING NO. LENGHT (MM) |  |  |
|-----------|---------------------------------------|---------------|---------------|---------------------------------------|--|--|---------------------------------------|--|--|
|           | F                                     | 1204000116    | Y08006E02M010 | 1000                                  |  |  |                                       |  |  |
|           | 1204000117                            | Y08006E02M020 | 2000          |                                       |  |  |                                       |  |  |
|           | 1204000118                            | Y08006E02M050 | 5000          |                                       |  |  |                                       |  |  |
|           | 1204000119                            | Y08006E02M100 | 10000         |                                       |  |  |                                       |  |  |
|           | 1204000120                            | Y08006B41M010 | 1000          |                                       |  |  |                                       |  |  |
|           | 1204000121                            | Y08006B41M020 | 2000          |                                       |  |  |                                       |  |  |
|           | 1204000122                            | Y08006B41M050 | 5000          |                                       |  |  |                                       |  |  |
|           | 1204000123                            | Y08006B41M100 | 10000         |                                       |  |  |                                       |  |  |
| E         | 1204000124                            | Y08006H08M010 | 1000          |                                       |  |  |                                       |  |  |
|           | 1204000125                            | Y08006H08M020 | 2000          |                                       |  |  |                                       |  |  |
|           | 1204000126                            | Y08006H08M050 | 5000          |                                       |  |  |                                       |  |  |
|           | 1204000127                            | Y08006H08M100 | 10000         |                                       |  |  |                                       |  |  |
|           | 1204000128                            | Y0C006H45M010 | 1000          |                                       |  |  |                                       |  |  |
|           | 1204000129                            | Y0C006H45M020 | 2000          |                                       |  |  |                                       |  |  |
|           | 1204000130                            | Y0C006H45M050 | 5000          |                                       |  |  |                                       |  |  |
|           | 1204000131                            | Y0C006H45M100 | 10000         |                                       |  |  |                                       |  |  |
| D         |                                       |               |               |                                       |  |  |                                       |  |  |
|           |                                       |               |               |                                       |  |  |                                       |  |  |
|           |                                       |               |               |                                       |  |  |                                       |  |  |
|           |                                       |               |               |                                       |  |  |                                       |  |  |
|           |                                       |               |               |                                       |  |  |                                       |  |  |
|           |                                       |               |               |                                       |  |  |                                       |  |  |
|           |                                       |               |               |                                       |  |  |                                       |  |  |
|           |                                       |               |               |                                       |  |  |                                       |  |  |
|           |                                       |               |               |                                       |  |  |                                       |  |  |
|           |                                       |               |               |                                       |  |  |                                       |  |  |
|           |                                       |               |               |                                       |  |  |                                       |  |  |
|           |                                       |               |               |                                       |  |  |                                       |  |  |
|           |                                       |               |               |                                       |  |  |                                       |  |  |
|           |                                       |               |               |                                       |  |  |                                       |  |  |
|           |                                       |               |               |                                       |  |  |                                       |  |  |
|           |                                       |               |               |                                       |  |  |                                       |  |  |
|           |                                       |               |               |                                       |  |  |                                       |  |  |
|           |                                       |               |               |                                       |  |  |                                       |  |  |
|           |                                       |               |               |                                       |  |  |                                       |  |  |
|           |                                       |               |               |                                       |  |  |                                       |  |  |
|           |                                       |               |               |                                       |  |  |                                       |  |  |
|           |                                       |               |               |                                       |  |  |                                       |  |  |
|           |                                       |               |               |                                       |  |  |                                       |  |  |

CABLE LIST

| 8P | 12P | CABLE TYPE | DESCRIPTION                            | MATERIAL | FINISH/COLOR | FIXED INSTALLATION * |       | FLEXIBLE INSTALLATION ** |       | DRAG CHAIN   |       |
|----|-----|------------|--|----------|--------------|----------------------|-------|--------------------------|-------|--------------|-------|
|    |     |            |  |          |              | MIN.                 | MAX.  | MIN.                     | MAX.  | MIN.         | MAX.  |
| X  |     | E02        | 8X0.25MM;UNSHLD;PVC;BK;OD=6.60MM       | PVC      | BLACK        | -30°C                | +80°C | -10°C                    | +80°C | NOT SUITABLE |       |
| X  |     | B41        | CABLE 8X0.25 TPU BK D6.40 TPE UNSH DCS | PUR WSOR | BLACK        | -40°C                | +90°C | -25°C                    | +80°C | -5°C         | +60°C |
| X  |     | H08        | CABLE PUR;BLK 8X0.25MM-LSOH;UL OD=6.10 | PUR-LS0H | BLACK        | -40°C                | +80°C | -25°C                    | +80°C | +5°C         | +60°C |
|    | X   | H45        | CABLE12X0.14BLK PUR D6.0 UL/CSA        | PUR      | BLACK        | -40°C                | +80°C | -25°C                    | +80°C | +5°C         | +60°C |

\* FIXED POSITION WITHOUT ACCIDENTAL CRUSHING OF VIBRATION.  
 \*\* FREE MOTION WITHOUT PERIODIC RECURRENCE OR FORCED GUIDANCE.

| CABLE LENGTH TOLERANCES |            |
|-------------------------|------------|
| LENGTH                  | TOLERANCE  |
| 0m-1m                   | +40 mm     |
| >1m-5m                  | +60 mm     |
| >5m-10m                 | +80 mm     |
| >10m-20m                | +140 mm    |
| >20m-30m                | +160 mm    |
| >30m                    | +1% length |

BILL OF MATERIAL:

| 8P | 12P | ITEM | QTY | DESCRIPTION                  | MATERIAL       | FINISH/COLOR            |
|----|-----|------|-----|------------------------------|----------------|-------------------------|
| X  | X   | 1    | -   | CABLE                        | SEE CABLE LIST | SEE CABLE LIST          |
| X  |     | 2    | 8   | CONTACT 8 MA TUR AU          | BRASS          | GOLD OVER NICKEL PLATED |
|    | X   |      | 12  | CONTACT 06 MA TUR AU         |                |                         |
| X  |     | 3    | 1   | PLG U12 8P AC MA PA UNSH WT  | -              | -                       |
|    | X   |      | 1   | PLG U12 12P AC MA PA UNSH WT |                |                         |
| X  | X   | 4    | 1   | OVERMOLD                     | TPC            | SEE MATRIX              |
|    |     |      | 2   | I/D CARRIER DIA 4-7MMX30MM   | PVC            | TRANSPARENT             |

|                 |    |              |                     |
|-----------------|----|--------------|---------------------|
| DOCUMENT STATUS | P1 | RELEASE DATE | 2023/01/31 08:21:31 |
|-----------------|----|--------------|---------------------|

THIS DRAWING CONTAINS INFORMATION THAT IS PROPRIETARY TO MOLEX ELECTRONIC TECHNOLOGIES, LLC AND SHOULD NOT BE USED WITHOUT WRITTEN PERMISSION

| FUNCTIONAL SYMBOLS   | DIMENSION UNITS                                      | SCALE                  | CURRENT REV DESC: NOTES AND CABLE LIST UPDATED |
|----------------------|--|------------------------|--|
| $\nabla/\bar{A} = 0$ | <b>mm</b>  | <b>1:1</b>             |  |
| $\nabla/\bar{E} = 0$ | GENERAL TOLERANCES (UNLESS SPECIFIED)                |                        |  |
| $\nabla/\bar{F} = 0$ | ANGULAR TOL  | $\pm 1.0^\circ$        |  |
| DIVISIONAL SYMBOLS   | 4 PLACES   | $\pm$                  | EC NO: 736602                                  |
|                      | 3 PLACES   | $\pm$                  | DRWN: RSCHIEBER 2023/01/24                     |
|                      | 2 PLACES   | $\pm 0.05$             | CHK'D: RSILLER 2023/01/31                      |
|                      | 1 PLACE  | $\pm 0.3$              | APPR: RSILLER 2023/01/31                       |
|                      | 0 PLACES   | $\pm 0.5$              | INITIAL REVISION:                              |
|                      | DRAFT WHERE APPLICABLE MUST REMAIN WITHIN DIMENSIONS | THIRD ANGLE PROJECTION | DRAWING  |
|                      |  | SERIES                 | MATERIAL NUMBER                                |
|                      |  | CUSTOMER               | SHEET NUMBER                                   |

**molex**  
 CSE U12 8-12P AC MA STR XM SE UNSH BK  
 PRODUCT CUSTOMER DRAWING  
 1204000116  
 PSD 000 A1  
 A3-SIZE 120400 SEE PART LIST GENERAL MARKET 2 OF 2