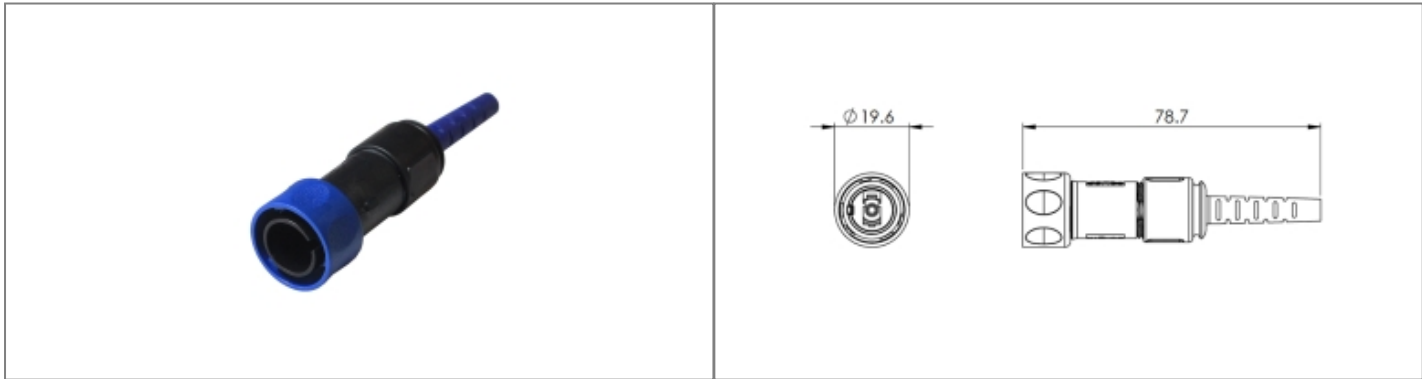


# PXF4050 Datasheet

Product Name // No Cable, Flex fiber connector

[View Product Page](#)



## // Product Description:

- Flex Fiber Connector
- Sealed to IP66, IP68, IP69K when mated with compatible connector
- no cable options, or pre-terminated from 5M - 450M available
- Simplex LC type fiber connector
- Choices of OS1, OM1 and OM3 cables for single or multimode
- PXP4081 Sealing Cap available separately to maintain IP rating of unmated connectors
- Mate with Inline fiber connector or panel mount connectors PXF4051, PXF4053

## // General Information:

Product Display Title:	Flex Fiber Connector
Product Family:	Circular Fiber Connectors
Product Series:	4000 Series - Simplex LC Fiber Buccaneer
Body Material:	Polycarbonate/Polybutylene Terephthalate (PC/PBT)
Body Material Type:	Plastic Body
Contact Type:	LC Fiber
Coupling Type:	30 Degree coupling
Diameter Over Coupling Ring Mm:	19.7mm
Fibre Mode:	OS1
Flamability Rating:	UL94V-0
Function:	Flex Fiber Connector
Ip Rating:	IP66, IP68, IP69K
Max Operating Temperature:	+70°C
Min Operating Temperature:	-20°C

// Product PDF Links

[4000 Series Fiber connectors...](#)

// Product 3D CAD Model Links

[PXF40503D CAD Model](#)