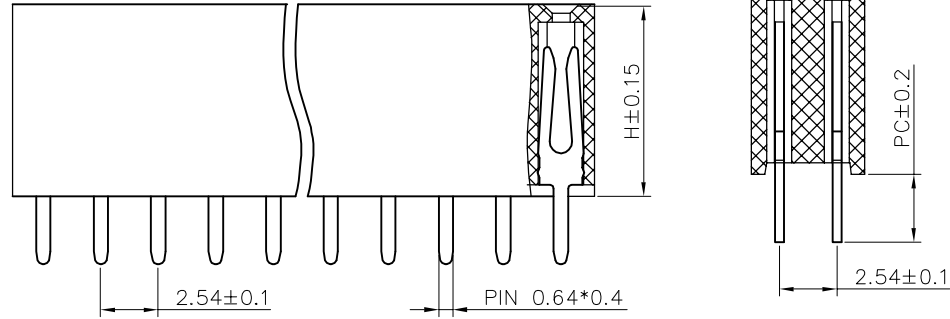


SAMZO REAC/ROHS

REV	ECN NO	DESCRIPTION	DESIGN	APPROVAL	DATE
A1	NEW	Replace frame			2013.06.21

SPECIFICATIONS

Current Rating: 3Amps
 Insulation Resistance: 1000MΩ Min
 Contact Resistance: 20MΩ Max
 Withstanding Voltage: AC 1000V
 Operation Temperature: -40° to+105°
 Contact Material: Brass
 Standard: PA6T
 Insulator Material: Polyester(UL 94V-0)
 Contact Plating: Gold Flash
 Max.Processing Temp: 240° C for30-60seconds
 (260° C for5seconds)

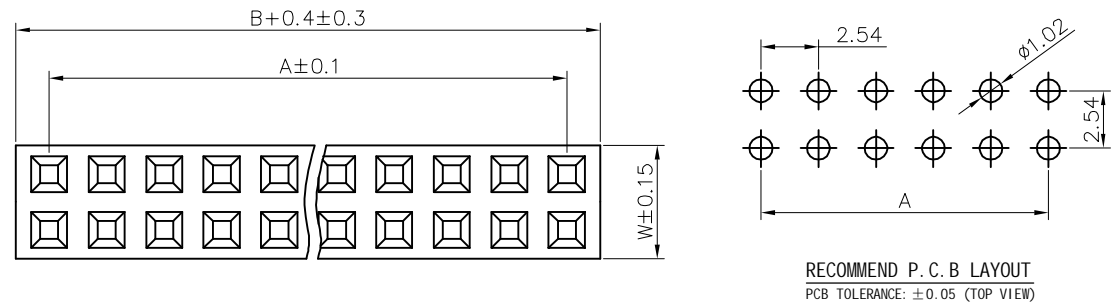


Options	PC	H	W
Standard	3.2	8.5	5.0
Specified			

No. of Contacts	DIMENSIONS		No. of Contacts	DIMENSIONS	
	A	B		A	B
1	0.00	2.54	21	50.80	53.34
2	2.54	5.08	22	53.34	55.88
3	5.08	7.62	23	55.88	58.42
4	7.62	10.16	24	58.42	60.96
5	10.16	12.70	25	60.96	63.50
6	12.70	15.24	26	63.50	66.04
7	15.24	17.78	27	66.04	68.58
8	17.78	20.32	28	68.58	71.12
9	20.32	22.86	29	71.12	73.66
10	22.86	25.40	30	73.66	76.20
11	25.40	27.94	31	76.20	78.74
12	27.94	30.48	32	78.74	81.28
13	30.48	33.02	33	81.28	83.82
14	33.02	35.56	34	83.82	86.36
15	35.56	38.10	35	86.36	88.90
16	38.10	40.64	36	88.90	91.44
17	40.64	43.18	37	91.44	93.98
18	43.18	45.72	38	93.98	96.52
19	45.72	48.26	39	96.52	99.06
20	48.26	50.80	40	99.06	101.60

Code Description

A. 名称: 5B-排母
 B. 间距: M-2.54mm
 C. 方式: L-180° DIP
 D. 塑高(H): 8-8.5mm
 E: 总长(L): 117-11.7mm
 F: 针长(PC): 32-3.2mm
 G: 针数: 202-2*2P(2-40PIN)
 H: 定位: W-无定位
 I: 物料编码: 0-常规
 5B M L 8 - 117 32- 2** - W 0
A B C D E F G H I



RECOMMEND P. C. B LAYOUT
 PCB TOLERANCE: ±0.05 (TOP VIEW)

ITEM	DESCRIPTION	MATERIAL	QTY	FINISH/COLOR					
1	针	黄铜	N	镀金					
2	主体	PA6T	1	黑色					
							GENERAL TOLERANCE		
							≥0~2<	±0.15	
					DESIGN	WANGGUIFA	2018.06.12	≥2~5<	±0.25
					CHECKED	ZHENGUILAN	2018.06.12	≥0~2<	±0.15
					APPROVED	LILIANJIANG	2018.06.14	≥5	±0.35

FIRST VIEW

SCALE 1:1 UNIT mm

SAMZO COMPONENTS
 Electronic switch and connector manufacturer

The copyright belongs to samzo parts [China] Co., Ltd. please use the material after samzo parts agree to authorize. The final right of interpretation belongs to samzo parts.
 WWW.KKK-JP.COM

TITLE: 2.54PF 2*NP H8.5 PC3.2 180°DIP
 DWG NO: 5BML8-P1173201
 PART NO: 5BML8-181236
 MODEL NO: 5BML8-11732-2NP-W0
 NAME: PIN-F CONNECTOR