

<table border="1"> <tr> <th>COUNT</th> <th>DESCRIPTION OF REVISIONS</th> <th>BY</th> <th>CHKD</th> <th>DATE</th> <th>COUNT</th> <th>DESCRIPTION OF REVISIONS</th> <th>BY</th> <th>CHKD</th> <th>DATE</th> </tr> <tr> <td>1</td> <td>RE-F-10583</td> <td>K.S.H.Y</td> <td></td> <td>05.07.06</td> <td></td> <td></td> <td></td> <td></td> <td></td> </tr> </table>	COUNT	DESCRIPTION OF REVISIONS	BY	CHKD	DATE	COUNT	DESCRIPTION OF REVISIONS	BY	CHKD	DATE	1	RE-F-10583	K.S.H.Y		05.07.06									<p>NOTE 1 LEAD-CORPLANARITY OF THIS PRODUCT TO BE 0.1MAX FOR SMT LEAD AND GROUND PLATE LEAD: c, d. 0.15MAX FOR GROUND PLATE LEAD: a, b, e, f. 2 AREA OF INNER SMT LAND REQUIRES PATTERN PROHIBITION OR RESIST TREATMENT TO PREVENT THE PATTERN TOUCHING TO THE CONTACTS. 3 THE DIMENSIONS IN PARENTHESES ARE FOR REFERENCE. 4 PACKAGING FOR THIS PRODUCT APPLIES EMBOSSED CARRIER TAPE PACKAGING.SEE SHEET 2/2 FOR DETAILS.</p> <p>RECOMMENDED LAND PATTERN DIMENSION OF P.C.B</p>	<table border="1"> <tr> <td>3</td> <td>NICKEL SILVER</td> <td>2</td> <td>PHOSPHOR BRONZE</td> <td colspan="2">CONTACT AREA:GOLD 0.1μm min</td> </tr> <tr> <td>1</td> <td>PA</td> <td>BLACK</td> <td>UL94V-0</td> <td colspan="2">LEAD AREA:TIN-PLATING 1μm min</td> </tr> <tr> <td>NO.</td> <td>MATERIAL</td> <td>FINISH, REMARKS</td> <td>NO.</td> <td>MATERIAL</td> <td>FINISH, REMARKS</td> </tr> <tr> <td>CODE NO. (OLD)</td> <td colspan="2">CL</td> <td>DRAWN</td> <td>DESIGNED</td> <td>CHECKED</td> </tr> <tr> <td></td> <td colspan="2"></td> <td>K.SHIBUYA</td> <td>K.SHIBUYA</td> <td>H.YAMAGUCHI</td> </tr> <tr> <td></td> <td colspan="2"></td> <td>05.01.28</td> <td>05.01.28</td> <td>05.01.31</td> </tr> <tr> <td></td> <td colspan="2"></td> <td colspan="2">PART NO.</td> <td>FX15-31S-0.5SV</td> </tr> <tr> <td></td> <td colspan="2">DRAWING NO.</td> <td colspan="2">EDC3-155329</td> <td></td> </tr> <tr> <td>SCALE</td> <td colspan="2">4 : 1</td> <td>CODE NO.</td> <td colspan="2">CL575-2201-7</td> </tr> <tr> <td>UNITS</td> <td colspan="2">mm</td> <td></td> <td colspan="2"></td> </tr> </table>	3	NICKEL SILVER	2	PHOSPHOR BRONZE	CONTACT AREA:GOLD 0.1μm min		1	PA	BLACK	UL94V-0	LEAD AREA:TIN-PLATING 1μm min		NO.	MATERIAL	FINISH, REMARKS	NO.	MATERIAL	FINISH, REMARKS	CODE NO. (OLD)	CL		DRAWN	DESIGNED	CHECKED				K.SHIBUYA	K.SHIBUYA	H.YAMAGUCHI				05.01.28	05.01.28	05.01.31				PART NO.		FX15-31S-0.5SV		DRAWING NO.		EDC3-155329			SCALE	4 : 1		CODE NO.	CL575-2201-7		UNITS	mm				
COUNT	DESCRIPTION OF REVISIONS	BY	CHKD	DATE	COUNT	DESCRIPTION OF REVISIONS	BY	CHKD	DATE																																																																												
1	RE-F-10583	K.S.H.Y		05.07.06																																																																																	
3	NICKEL SILVER	2	PHOSPHOR BRONZE	CONTACT AREA:GOLD 0.1μm min																																																																																	
1	PA	BLACK	UL94V-0	LEAD AREA:TIN-PLATING 1μm min																																																																																	
NO.	MATERIAL	FINISH, REMARKS	NO.	MATERIAL	FINISH, REMARKS																																																																																
CODE NO. (OLD)	CL		DRAWN	DESIGNED	CHECKED																																																																																
			K.SHIBUYA	K.SHIBUYA	H.YAMAGUCHI																																																																																
			05.01.28	05.01.28	05.01.31																																																																																
			PART NO.		FX15-31S-0.5SV																																																																																
	DRAWING NO.		EDC3-155329																																																																																		
SCALE	4 : 1		CODE NO.	CL575-2201-7																																																																																	
UNITS	mm																																																																																				

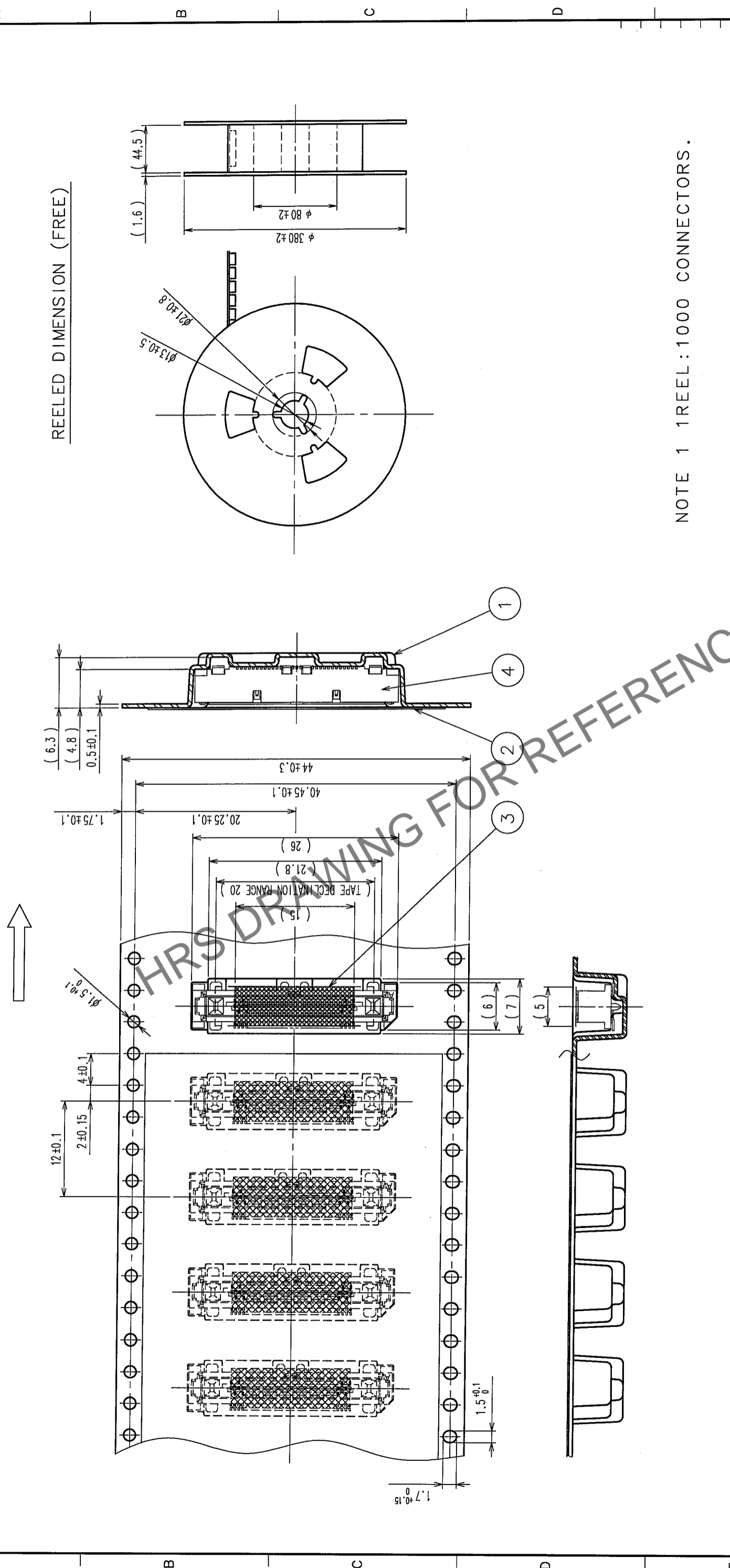
Jun.1.2024 Copyright 2024 HIROSE ELECTRIC CO., LTD. All Rights Reserved.

2 In case of consideration for using Automotive equipment / device which demand high reliability, kindly contact our sales window correspondents.

1 Jun.1.2024 Copyright 2024 HIROSE ELECTRIC CO., LTD. All Rights Reserved.

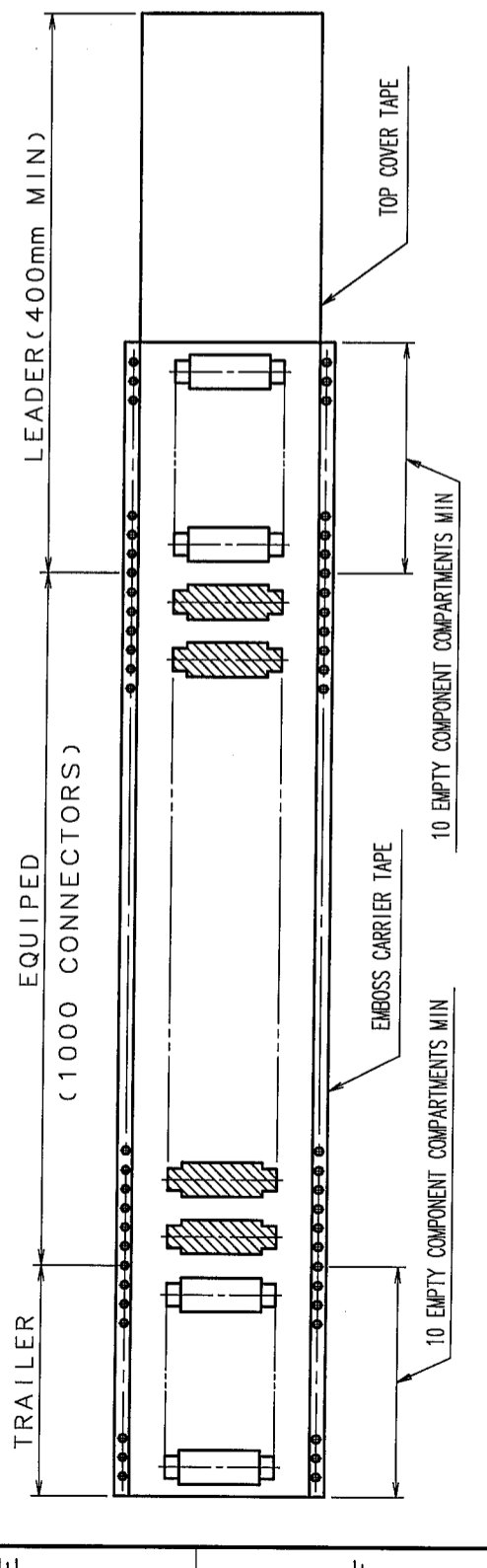
COUNT	DESCRIPTION OF REVISIONS	BY	CHKD	DATE	COUNT	DESCRIPTION OF REVISIONS	BY	CHKD	DATE

THE DIRECTION OF PULLING OUT



REELED DIMENSION (FREE)

NOTE 1 1 REEL: 1000 CONNECTORS.



NO.	MATERIAL	FINISH, REMARKS	NO.	MATERIAL	FINISH, REMARKS
2	POLYESTER	TOP COVER TAPE	4	CONNECTOR	
1	PS	EMBOSS CARRIER TAPE	3	POLYIMIDE	TAPE FOR VACUUM PICKUP

CODE NO. (OLD)	CL	DRAWN	DESIGNED	CHECKED	APPROVED	RELEASED
		K.SHIBUYA	K.SHIBUYA	H.YAMAGUCHI	H.OKAWA	
		05.01.28	05.01.28	05.01.31	05.01.31	

DRAWING NO.	PART NO.
EDC3-155329	FX15-31S-0.5SV

SCALE	UNITS	CODE NO.
2 : 1	mm	CL575-2201-7

HRS HIROSE ELECTRIC CO., LTD.

FORM NO. 229