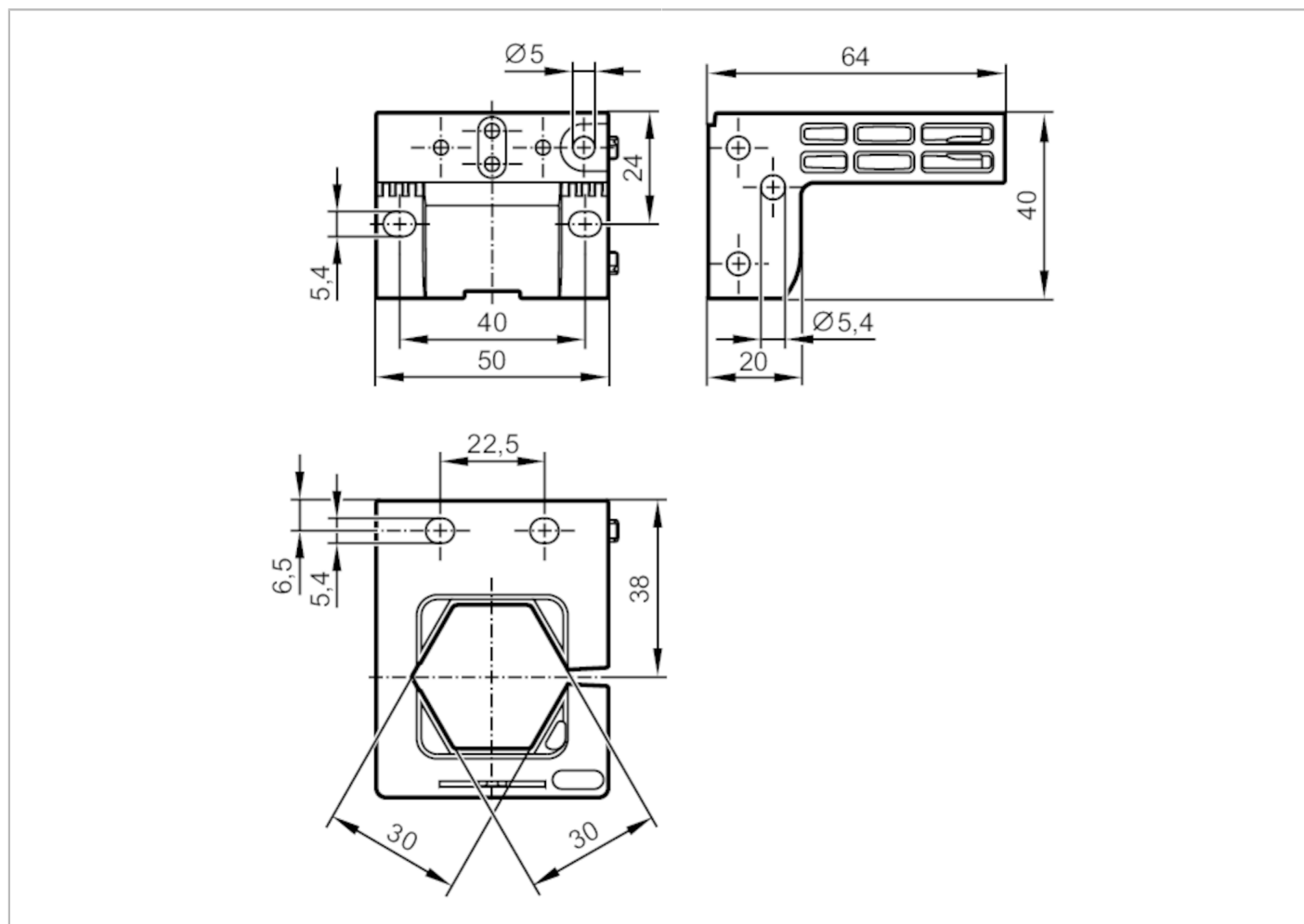


# E30421



## Angle bracket

UNIVERSAL MOUNTING BRACKET



Mechanical data	
Weight	[g] 55.5
Dimensions	[mm] 40 x 50 x 64
Materials	PA 6.6-GF25-M15
Accessories	
Items supplied	socket head screw: 1 x M5 x 40
	square nut: 1 x M5
	recess self-tapping screws : 3 x 3 mm
Remarks	
Pack quantity	1 pcs.