

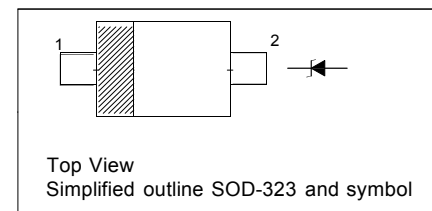
MM3Z2B4~MM3ZB75 Silicon Planar Zener Diodes

Features

- Power Dissipation: 300 mW
- Zener Voltage Tolerance: $\pm 2\%$

PINNING

| PIN | DESCRIPTION |
|-----|-------------|
| 1 | Cathode |
| 2 | Anode |



Absolute Maximum Ratings ($T_a = 25\text{ }^\circ\text{C}$)

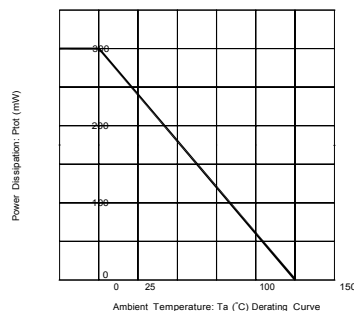
| Parameter | Symbol | Value | Unit |
|---------------------------|------------------|---------------|------------------|
| Total Power Dissipation | P_{tot} | 300 | mW |
| Junction Temperature | T_j | 150 | $^\circ\text{C}$ |
| Storage Temperature Range | T_{stg} | - 55 to + 150 | $^\circ\text{C}$ |

Characteristics at $T_a = 25\text{ }^\circ\text{C}$

| Parameter | Symbol | Max. | Unit |
|--|-----------------------|------|--------------------|
| Thermal Resistance Junction to Ambient Air | $R_{\theta\text{JA}}$ | 417 | $^\circ\text{C/W}$ |
| Forward Voltage at $I_F = 10\text{ mA}$ | V_F | 0.9 | V |

| Type | Marking Code | Zener Voltage Range ¹⁾ | | | Dynamic Impedance | | Reverse Leakage Current | |
|---------|--------------|-----------------------------------|-----------------------|--------------------------|------------------------|--------------------|-------------------------|-------------------|
| | | V _{znom} V | I _{ZT} mA | for V _{ZT} V | Z _{ZT} (Max.) | at I _{ZT} | I _R (Max.) | at V _R |
| | | | | | Ω | mA | μA | V |
| MM3Z2B4 | DN | 2.4 | 5 | 2.352...2.448 | 100 | 5 | 120 | 1 |
| MM3Z2B7 | DP | 2.7 | 5 | 2.646...2.754 | 110 | 5 | 120 | 1 |
| MM3Z3B0 | DR | 3.0 | 5 | 2.94...3.06 | 120 | 5 | 50 | 1 |
| MM3Z3B3 | DX | 3.3 | 5 | 3.234...3.366 | 130 | 5 | 20 | 1 |
| MM3Z3B6 | DY | 3.6 | 5 | 3.528...3.672 | 130 | 5 | 10 | 1 |
| MM3Z3B9 | DZ | 3.9 | 5 | 3.822...3.978 | 130 | 5 | 5 | 1 |
| MM3Z4B3 | ZO | 4.3 | 5 | 4.214...4.386 | 130 | 5 | 5 | 1 |
| MM3Z4B7 | EB | 4.7 | 5 | 4.606...4.794 | 130 | 5 | 2 | 1 |
| MM3Z5B1 | EC | 5.1 | 5 | 4.998...5.202 | 130 | 5 | 2 | 1.5 |
| MM3Z5B6 | ED | 5.6 | 5 | 5.488...5.712 | 80 | 5 | 1 | 2.5 |
| MM3Z6B2 | EE | 6.2 | 5 | 6.076...6.324 | 50 | 5 | 1 | 3 |
| MM3Z6B8 | EF | 6.8 | 5 | 6.664...6.936 | 30 | 5 | 0.5 | 3.5 |
| MM3Z7B5 | EH | 7.5 | 5 | 7.35...7.65 | 30 | 5 | 0.5 | 4 |
| MM3Z8B2 | EJ | 8.2 | 5 | 8.036...8.364 | 30 | 5 | 0.5 | 5 |
| MM3Z9B1 | EK | 9.1 | 5 | 8.918...9.282 | 30 | 5 | 0.5 | 6 |
| MM3ZB10 | EM | 10 | 5 | 9.8...10.2 | 30 | 5 | 0.1 | 7 |
| MM3ZB11 | EN | 11 | 5 | 10.78...11.22 | 30 | 5 | 0.1 | 8 |
| MM3ZB12 | EP | 12 | 5 | 11.76...12.24 | 35 | 5 | 0.1 | 9 |
| MM3ZB13 | ER | 13 | 5 | 12.74...13.26 | 35 | 5 | 0.1 | 10 |
| MM3ZB15 | EX | 15 | 5 | 14.7...15.3 | 40 | 5 | 0.1 | 11 |
| MM3ZB16 | EY | 16 | 5 | 15.68...16.32 | 40 | 5 | 0.1 | 12 |
| MM3ZB18 | EZ | 18 | 5 | 17.64...18.36 | 45 | 5 | 0.1 | 13 |
| MM3ZB20 | FA | 20 | 5 | 19.6...20.4 | 50 | 5 | 0.1 | 15 |
| MM3ZB22 | FB | 22 | 5 | 21.56...22.44 | 55 | 5 | 0.1 | 17 |
| MM3ZB24 | FC | 24 | 5 | 23.52...24.48 | 60 | 5 | 0.1 | 19 |
| MM3ZB27 | FD | 27 | 5 | 26.46...27.54 | 70 | 2 | 0.1 | 21 |
| MM3ZB30 | FE | 30 | 5 | 29.4...30.6 | 80 | 2 | 0.1 | 23 |
| MM3ZB33 | FF | 33 | 5 | 32.34...33.66 | 80 | 2 | 0.1 | 25 |
| MM3ZB36 | FH | 36 | 5 | 35.28...36.72 | 90 | 2 | 0.1 | 27 |
| MM3ZB39 | FJ | 39 | 2.5 | 38.22...39.78 | 100 | 2 | 2 | 30 |
| MM3ZB43 | XJ | 43 | 2.5 | 42.14...43.86 | 130 | 2 | 2 | 33 |
| MM3ZB47 | XK | 47 | 2.5 | 46.06...47.94 | 150 | 2 | 2 | 36 |
| MM3ZB51 | XM | 51 | 2.5 | 49.98...52.02 | 180 | 2 | 1 | 39 |
| MM3ZB56 | XN | 56 | 2.5 | 54.88...57.12 | 180 | 2 | 1 | 43 |
| MM3ZB62 | XP | 62 | 2.5 | 60.76...63.24 | 200 | 2 | 0.2 | 47 |
| MM3ZB68 | XR | 68 | 2.5 | 66.64...69.36 | 250 | 2 | 0.2 | 52 |
| MM3ZB75 | XX | 75 | 2.5 | 73.5...76.5 | 300 | 2 | 0.2 | 57 |

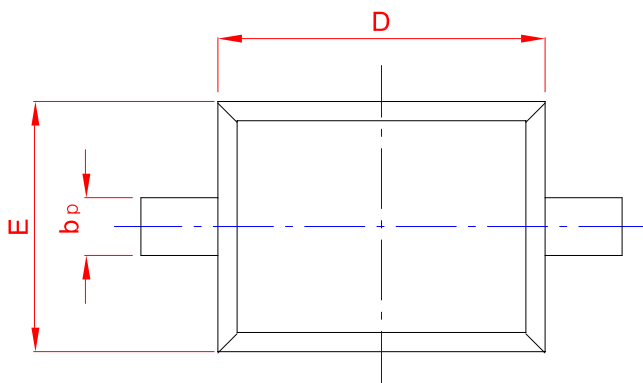
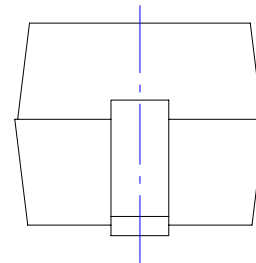
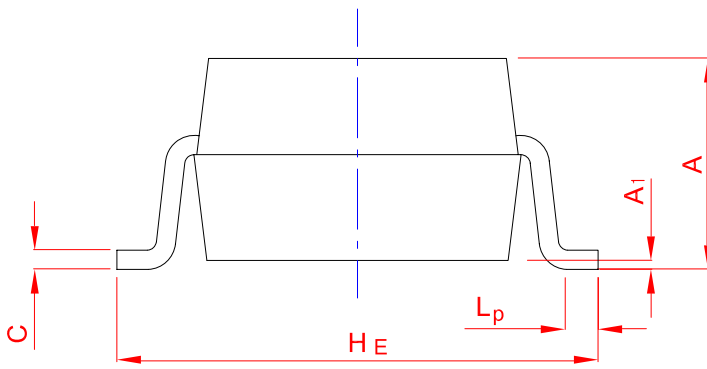
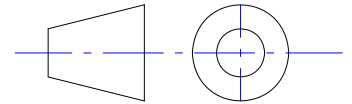
¹⁾ V_Z is tested with pulses (20 ms).



PACKAGE OUTLINE

Plastic surface mounted package; 2 leads

SOD-323



| UNIT | A | bp | C | D | E | HE | A1 | Lp |
|------|------|------|------|------|------|------|------|------|
| mm | 1.20 | 0.40 | 0.15 | 1.80 | 1.35 | 2.80 | 0.10 | 0.50 |
| | 0.90 | 0.25 | 0.10 | 1.60 | 1.15 | 2.30 | 0.01 | 0.20 |