

# HC-M-ADP-EMC - Adapter

1420486

<https://www.phoenixcontact.com/us/products/1420486>

Please be informed that the data shown in this PDF document is generated from our online catalog. Please find the complete data in the user documentation. Our general terms of use for downloads are valid.



Adapter, application: Shield adapters

## Commercial data

Item number	1420486
Packing unit	1 pc
Minimum order quantity	1 pc
Sales key	BF62
Product key	BF7ACZ
Catalog page	Page 583 (C-2-2019)
GTIN	4055626225272
Weight per piece (including packing)	20.3 g
Weight per piece (excluding packing)	20.7 g
Customs tariff number	85389099
Country of origin	AT

# HC-M-ADP-EMC - Adapter

1420486

<https://www.phoenixcontact.com/us/products/1420486>



## Technical data

### Product properties

Product type	Adapter
Application	Shield adapters

### Data management status

Article revision	00
------------------	----

### Environmental and real-life conditions

#### Ambient conditions

Ambient temperature (operation)	-40 °C ... 85 °C
---------------------------------	------------------

# HC-M-ADP-EMC - Adapter

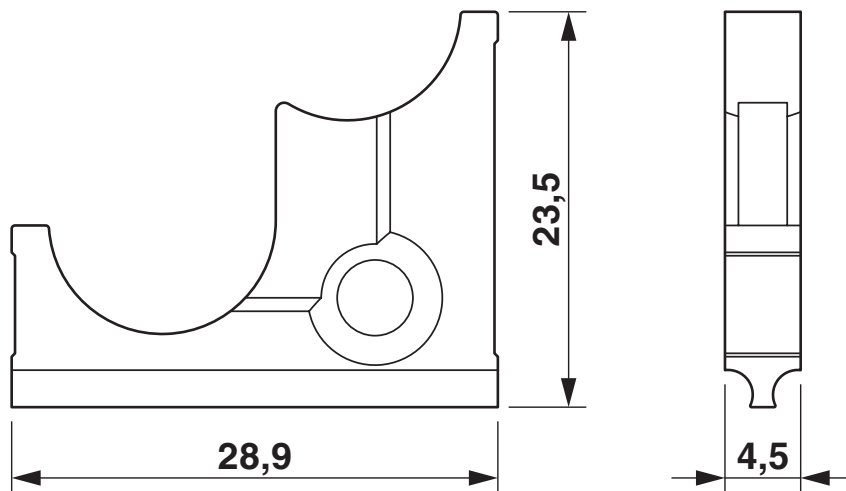
1420486

<https://www.phoenixcontact.com/us/products/1420486>



## Drawings

Dimensional drawing



Dimensional drawing

# HC-M-ADP-EMC - Adapter

1420486

<https://www.phoenixcontact.com/us/products/1420486>



## Classifications

### ECLASS

ECLASS-11.0	27440192
ECLASS-12.0	27440192
ECLASS-13.0	27440192

### ETIM

ETIM 9.0	EC002943
----------	----------

### UNSPSC

UNSPSC 21.0	39121400
-------------	----------

# HC-M-ADP-EMC - Adapter



1420486

<https://www.phoenixcontact.com/us/products/1420486>

## Environmental product compliance

### EU RoHS

Fulfills EU RoHS substance requirements	Yes, No exemptions
---	--------------------

### China RoHS

Environment friendly use period (EFUP)	EFUP-E
	No hazardous substances above the limits

### EU REACH SVHC

REACH candidate substance (CAS No.)	No substance above 0.1 wt%
-------------------------------------	----------------------------

Phoenix Contact 2024 © - all rights reserved  
<https://www.phoenixcontact.com>

Phoenix Contact USA  
586 Fulling Mill Road  
Middletown, PA 17057, United States  
(+717) 944-1300  
[info@phoenixcon.com](mailto:info@phoenixcon.com)