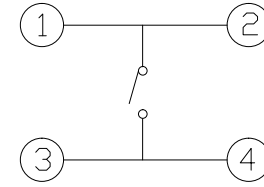
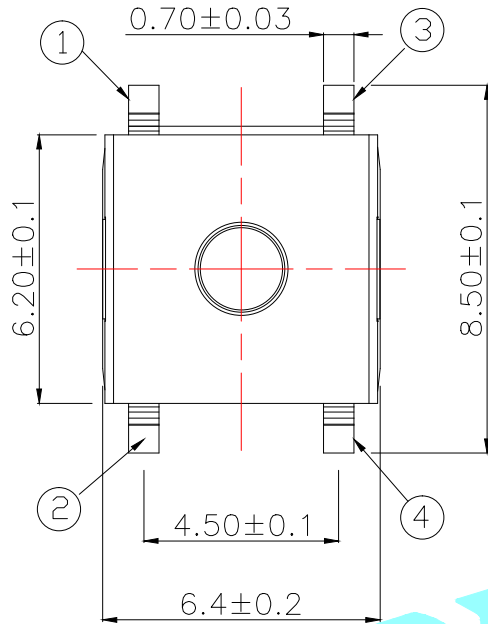
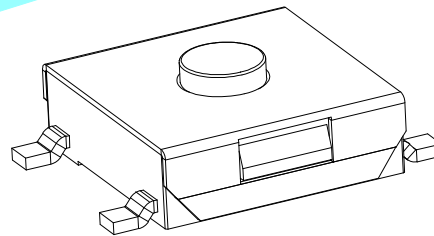
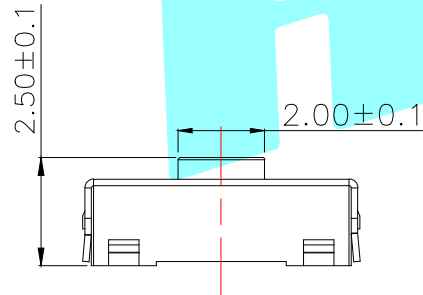
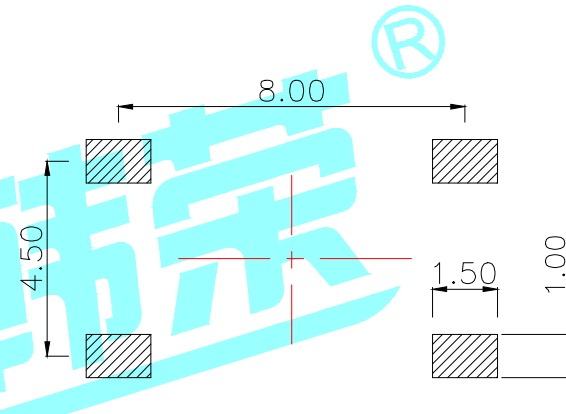
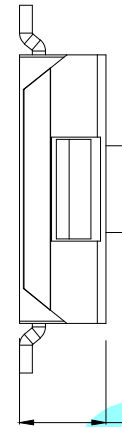


ROHS



Circuit Diagram



NOTE:  
 Rating: DC 12V 50mA  
 Forcel: 160±30gf  
 Travel: 0.3±0.1mm  
 Life: 500,000 Cycles

⑤	Terminal	—	4	Brass	Plating silver	—
④	Contact	—	1	F.Ag/SUS	—	—
③	Base	—	1	PPA	Black	—
②	Cover	—	1	SUS	—	—
①	Keystoke	—	1	silica gel	Green	—
ITEM	PART NAME	TER'NO.	QTY.	MATERIAL	FINISHING	REMARK

APPROVALS		DATE		 ELECTRONICS CO.,LTD													
DRAWN	LIUCAN	2021.5.27					TITLE:	TACT SWITCHS									
CHECKED				PART NO.	K2-1157SQ												
APPROVALS				TOLERANCES ARE	<table border="1"> <tr> <td>30~以上</td> <td>±0.30</td> <td rowspan="4">ANGLE</td> </tr> <tr> <td>10~30</td> <td>±0.20</td> </tr> <tr> <td>5~10</td> <td>±0.15</td> </tr> <tr> <td>~ 5</td> <td>±0.10</td> </tr> </table>	30~以上	±0.30	ANGLE	10~30	±0.20	5~10	±0.15	~ 5	±0.10	UNIT: mm	SCALE: 1:1	PROJ:
30~以上	±0.30	ANGLE															
10~30	±0.20																
5~10	±0.15																
~ 5	±0.10																
ECN NO.	REV.	DATE.	DESCRIPTION.	CHANGE.	CHECK.	APPRO.	DRAWING NO.	SHEET 1 OF 1									

—	A	—	NEW	—	—	—
ECN NO.	REV.	DATE.	DESCRIPTION.	CHANGE.	CHECK.	APPRO.