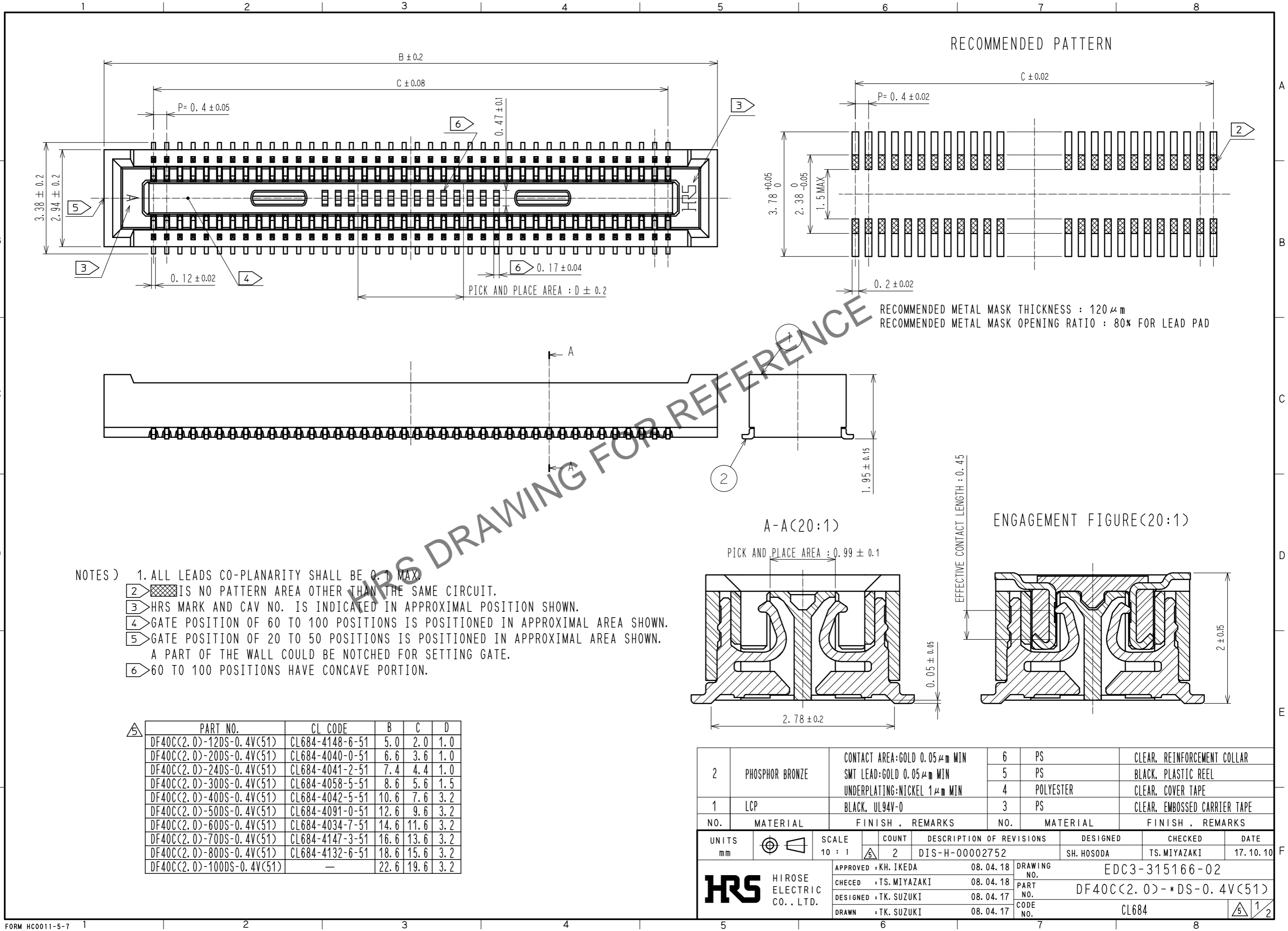


Jun.1.2024 Copyright 2024 HIROSE ELECTRIC CO., LTD. All Rights Reserved.  
In case of consideration for using Automotive equipment / device which demand high reliability, kindly contact our sales window correspondents.



- NOTES ) 1. ALL LEADS CO-PLANARITY SHALL BE 0.1 MAX
- 2 IS NO PATTERN AREA OTHER THAN THE SAME CIRCUIT.
  - 3 HRS MARK AND CAV NO. IS INDICATED IN APPROXIMAL POSITION SHOWN.
  - 4 GATE POSITION OF 60 TO 100 POSITIONS IS POSITIONED IN APPROXIMAL AREA SHOWN.
  - 5 GATE POSITION OF 20 TO 50 POSITIONS IS POSITIONED IN APPROXIMAL AREA SHOWN.  
A PART OF THE WALL COULD BE NOTCHED FOR SETTING GATE.
  - 6 60 TO 100 POSITIONS HAVE CONCAVE PORTION.

| △ PART NO.                | CL CODE         | B    | C    | D   |
|---------------------------|-----------------|------|------|-----|
| DF40C(2.0)-12DS-0.4V(51)  | CL684-4148-6-51 | 5.0  | 2.0  | 1.0 |
| DF40C(2.0)-20DS-0.4V(51)  | CL684-4040-0-51 | 6.6  | 3.6  | 1.0 |
| DF40C(2.0)-24DS-0.4V(51)  | CL684-4041-2-51 | 7.4  | 4.4  | 1.0 |
| DF40C(2.0)-30DS-0.4V(51)  | CL684-4058-5-51 | 8.6  | 5.6  | 1.5 |
| DF40C(2.0)-40DS-0.4V(51)  | CL684-4042-5-51 | 10.6 | 7.6  | 3.2 |
| DF40C(2.0)-50DS-0.4V(51)  | CL684-4091-0-51 | 12.6 | 9.6  | 3.2 |
| DF40C(2.0)-60DS-0.4V(51)  | CL684-4034-7-51 | 14.6 | 11.6 | 3.2 |
| DF40C(2.0)-70DS-0.4V(51)  | CL684-4147-3-51 | 16.6 | 13.6 | 3.2 |
| DF40C(2.0)-80DS-0.4V(51)  | CL684-4132-6-51 | 18.6 | 15.6 | 3.2 |
| DF40C(2.0)-100DS-0.4V(51) | —               | 22.6 | 19.6 | 3.2 |

| NO. | MATERIAL        | FINISH . REMARKS                                                                           | NO. | MATERIAL  | FINISH . REMARKS             |
|-----|-----------------|--------------------------------------------------------------------------------------------|-----|-----------|------------------------------|
| 2   | PHOSPHOR BRONZE | CONTACT AREA:GOLD 0.05 μm MIN<br>SMT LEAD:GOLD 0.05 μm MIN<br>UNDERPLATING:NICKEL 1 μm MIN | 6   | PS        | CLEAR, REINFORCEMENT COLLAR  |
|     |                 |                                                                                            | 5   | PS        | BLACK, PLASTIC REEL          |
|     |                 |                                                                                            | 4   | POLYESTER | CLEAR, COVER TAPE            |
| 1   | LCP             | BLACK, UL94V-0                                                                             | 3   | PS        | CLEAR, EMBOSSED CARRIER TAPE |

| UNITS | SCALE  | COUNT | DESCRIPTION OF REVISIONS | DESIGNED   | CHECKED      | DATE       |
|-------|--------|-------|--------------------------|------------|--------------|------------|
| mm    | 10 : 1 | 2     | DIS-H-00002752           | SH. HOSODA | TS. MIYAZAKI | 17. 10. 10 |

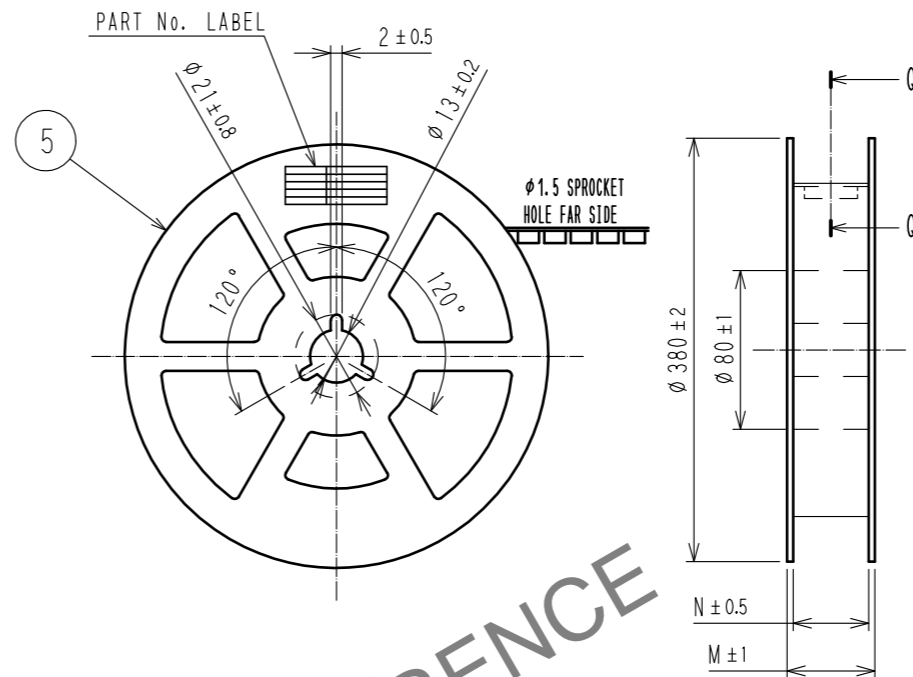
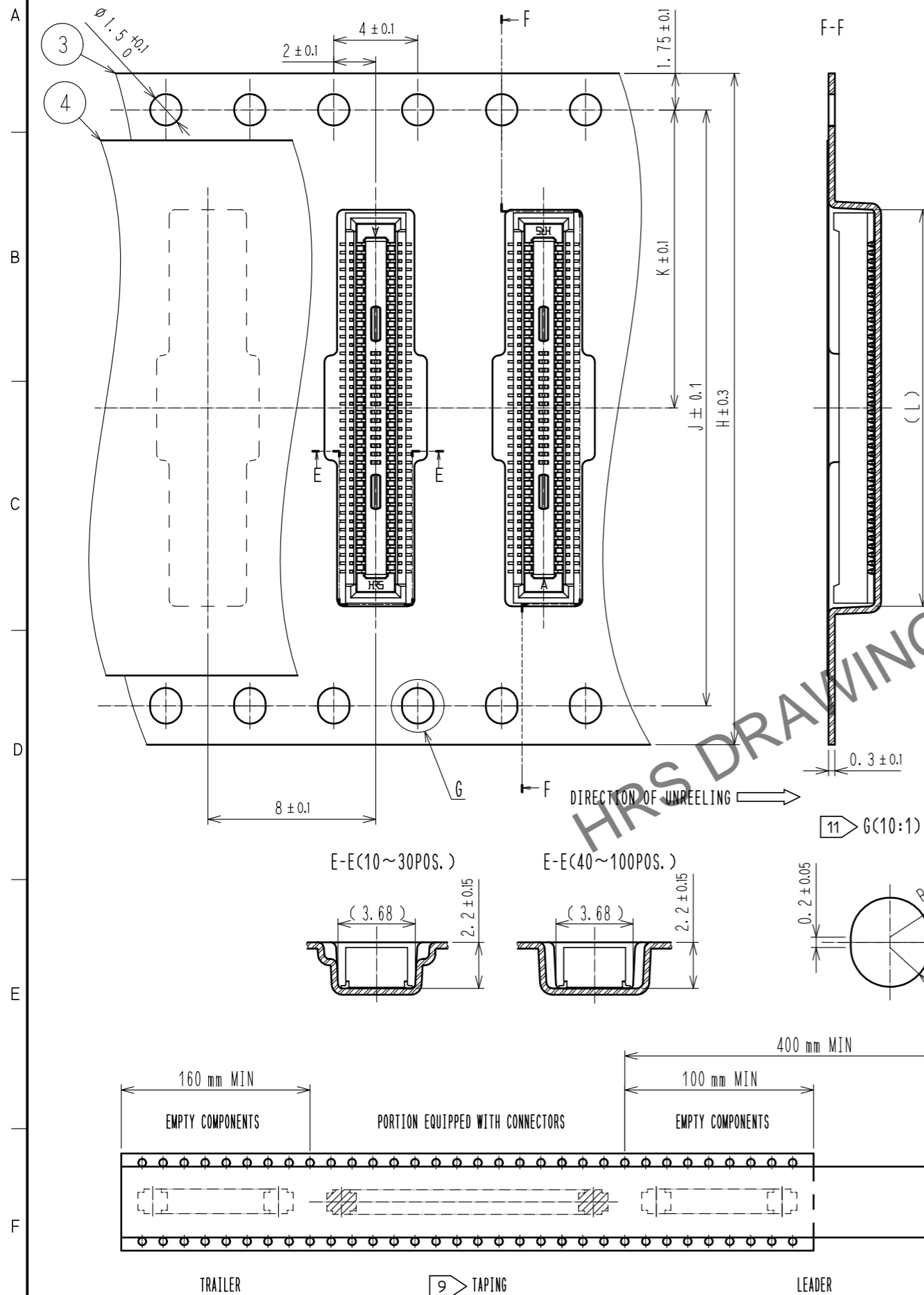
  

| APPROVED     | DATE       | DRAWING NO.             |
|--------------|------------|-------------------------|
| KH. IKEDA    | 08. 04. 18 | EDC3-315166-02          |
| CHECED       | DATE       | PART NO.                |
| TS. MIYAZAKI | 08. 04. 18 | DF40C(2.0)-*DS-0.4V(51) |
| DESIGNED     | DATE       | CODE NO.                |
| TK. SUZUKI   | 08. 04. 17 | CL684                   |
| DRAWN        | DATE       |                         |
| TK. SUZUKI   | 08. 04. 17 |                         |

Jun.1.2024 Copyright 2024 HIROSE ELECTRIC CO., LTD. All Rights Reserved.  
 In case of consideration for using Automotive equipment / device which demand high reliability, kindly contact our sales window correspondents.

# EMBOSSED CARRIER TAPE PACKAGING(5:1)

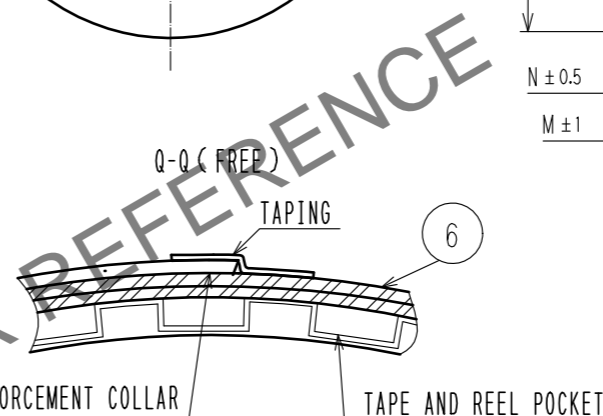
# STYLE AND DIMENSION OF REEL(FREE SIZE)



10> DETAIL OF PART No. LABEL

|       |                         |
|-------|-------------------------|
| 製造年月日 | ** ** *                 |
| 製品コード | CL684-****-51           |
| 製品名   | DF40C(2.0)-*DS-0.4V(51) |
| 数量    | 4000                    |
| 納入者   | ヒロセ電機(株)                |

| PART NO.                  | H  | J    | K    | L    | M    | N    |
|---------------------------|----|------|------|------|------|------|
| DF40C(2.0)-12DS-0.4V(51)  | 16 | —    | 7.5  | 5.3  | 21.5 | 17.5 |
| DF40C(2.0)-20DS-0.4V(51)  | 16 | —    | 7.5  | 6.9  | 21.5 | 17.5 |
| DF40C(2.0)-24DS-0.4V(51)  | 16 | —    | 7.5  | 7.7  | 21.5 | 17.5 |
| DF40C(2.0)-30DS-0.4V(51)  | 24 | —    | 11.5 | 8.9  | 29.5 | 25.5 |
| DF40C(2.0)-40DS-0.4V(51)  | 24 | —    | 11.5 | 10.9 | 29.5 | 25.5 |
| DF40C(2.0)-50DS-0.4V(51)  | 24 | —    | 11.5 | 12.9 | 29.5 | 25.5 |
| DF40C(2.0)-60DS-0.4V(51)  | 24 | —    | 11.5 | 14.9 | 29.5 | 25.5 |
| DF40C(2.0)-70DS-0.4V(51)  | 32 | 28.4 | 14.2 | 16.9 | 37.5 | 33.5 |
| DF40C(2.0)-80DS-0.4V(51)  | 32 | 28.4 | 14.2 | 18.9 | 37.5 | 33.5 |
| DF40C(2.0)-100DS-0.4V(51) | 44 | 40.4 | 20.2 | 22.9 | 49.5 | 45.5 |



- NOTES
- PER REEL 4000 CONNECTORS.
  - THE DIMENSIONS IN PARENTHESES ARE FOR REFERENCE.
  - REFER TO JIS C 0806(PACKING OF COMPONENTS FOR AUTOMATIC HANDLING)
  - DETAIL OF PART No. LABEL IS WRITTEN IN JAPANESE. PART No. LABEL DESCRIBES THE FOLLOWING INFORMATION FROM TOP.  
 PRODUCTION DATE:  
 PRODUCT CODE: CL684-\*\*\*\*-51  
 PART NUMBER: DF40C(2.0)-\*DS-0.4V(51)  
 NUMBER OF PIECES: 4000 PIECES  
 SUPPLIER NAME: HIROSE ELECTRIC CO., LTD.
  - 20 TO 60 POSITIONS EMBOSSED CARRIER TAPE HAS THE SPROCKET HOLE ON ONE SIDES.
  - AFTER PACKAGING, ROLL 2 METERS OF THE REINFORCEMENT COLLAR TO OUTER CIRCUMFERENCE OF TAPE AND REEL POCKET, AND TAPE DOWN AT THE END THE COLLAR.

|            |             |                         |
|------------|-------------|-------------------------|
| <b>HRS</b> | DRAWING NO. | EDC3-315166-02          |
|            | PART NO.    | DF40C(2.0)-*DS-0.4V(51) |
|            | CODE NO.    | CL684                   |