

1445692-3 ✓ ACTIVE

AMP | AMP Quadrax

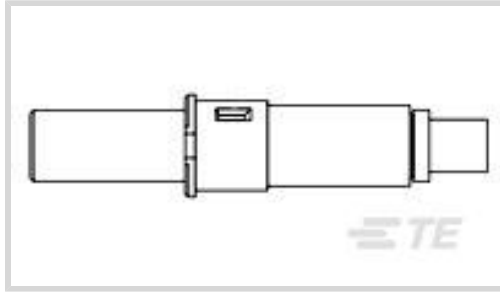
TE Internal #: 1445692-3

Quadrax, Pin Contact, Wire & Cable, Straight, DRAKA F4704-4, Gold, 1 A, Signal, -65 – 125 °C [-85 – 257 °F], AMP Quadrax

[View on TE.com >](#)



Connectors > Contacts > RF Contacts



Contact Type: **Pin**

RF Contact Style: **Quadrax**

Connector & Contact Terminates To: **Wire & Cable**

Contact Orientation: **Straight**

Compatible With RF Cable Type: **DRAKA F4704-4**

Features

Product Type Features

Sealable	Yes
RF Contact Style	Quadrax
Connector & Contact Terminates To	Wire & Cable
Compatible With RF Cable Type	DRAKA F4704-4

Electrical Characteristics

Impedance	100 Ω
-----------	-------

Body Features

Contact Removal Style	Rear Release/Rear Remove
-----------------------	--------------------------

Contact Features

Contact Length	31.37 mm[1.235 in]
Contact Base Material	Copper
Contact Type	Pin
Contact Orientation	Straight
Contact Mating Area Plating Material	Gold
Contact Current Rating (Max)	1 A

Termination Features

Termination Method to Wire & Cable	Hex Crimp
------------------------------------	-----------

Mechanical Attachment

--	--



Contact Retention Type Within Housing	Retention Clip
---------------------------------------	----------------

Dimensions

Wire Size	24 AWG
-----------	--------

Usage Conditions

Operating Temperature Range	-65 – 125 °C[-85 – 257 °F]
-----------------------------	----------------------------

Operation/Application

Circuit Application	Signal
---------------------	--------

Identification Marking

Contact Color Code	Blue
--------------------	------

Packaging Features

Packaging Method	Package
------------------	---------

Product Compliance

[For compliance documentation, visit the product page on TE.com>](#)

EU RoHS Directive 2011/65/EU	Compliant with Exemptions
------------------------------	---------------------------

EU ELV Directive 2000/53/EC	Compliant with Exemptions
-----------------------------	---------------------------

China RoHS 2 Directive MIIT Order No 32, 2016	Restricted Materials Above Threshold
---	--------------------------------------

EU REACH Regulation (EC) No. 1907/2006	<p>Current ECHA Candidate List: JUNE 2024 (241)</p> <p>Candidate List Declared Against: JAN 2024 (240)</p> <p>SVHC > Threshold:</p> <p>Pb (2.21% in Component part)</p> <p>Article Safe Usage Statements: Do not eat, drink or smoke when using this product. Wash thoroughly after handling. Recycle if possible and dispose of the article by following all applicable governmental regulations relevant to your geographic location.</p>
--	--

Halogen Content	Low Halogen - Br, Cl, F, I < 900 ppm per homogenous material. Also BFR/CFR/PVC Free
-----------------	---

Solder Process Capability	Not applicable for solder process capability
---------------------------	--

Product Compliance Disclaimer

This information is provided based on reasonable inquiry of our suppliers and represents our current actual knowledge based on the information they provided. This information is subject to change. The part numbers that TE has identified as EU RoHS compliant have a maximum concentration of 0.1% by weight in homogenous materials for lead, hexavalent chromium, mercury, PBB, PBDE, DBP, BBP, DEHP, DIBP, and 0.01% for cadmium, or qualify for an exemption to these limits as defined in the Annexes of Directive 2011/65/EU (RoHS2). Finished electrical and electronic equipment products will be CE marked as required by Directive 2011/65/EU. Components may not be CE marked. Additionally, the part numbers that TE has identified as EU ELV compliant have a maximum concentration of 0.1% by weight in homogenous materials for lead, hexavalent chromium, and mercury, and 0.01% for cadmium, or qualify for an exemption to these limits as defined in the Annexes of Directive 2000/53/EC (ELV). Regarding the REACH Regulation, the information TE provides on SVHC in articles for this part number is based on the latest European Chemicals Agency (ECHA) 'Guidance on

requirements for substances in articles' posted at this URL: <https://echa.europa.eu/guidance-documents/guidance-on-reach>

Compatible Parts



TE Part # 1976923-1
KIT, JAW (GB SOCKET)

Also in the Series | AMP Quadrax



Connector Backshells(2)



Connector Caps & Covers(1)

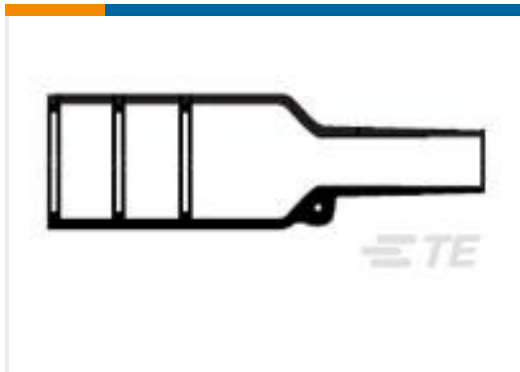


Rack & Panel Connectors(25)

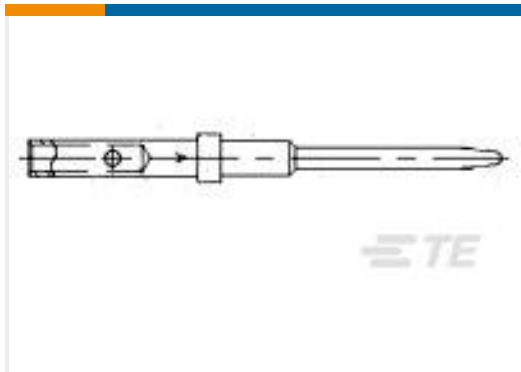


RF Contacts(14)

Customers Also Bought



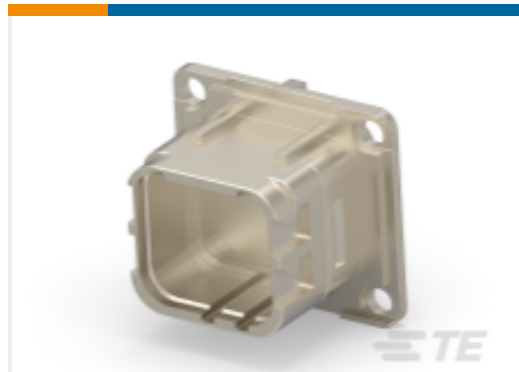
TE Part #879264-000
202K153-25/86-0



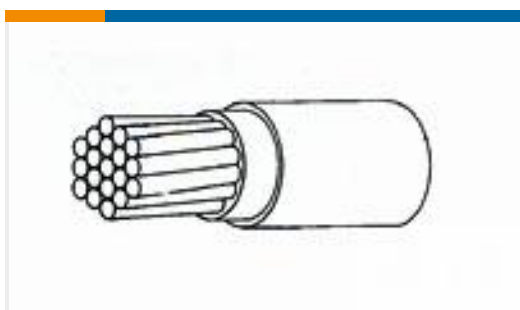
TE Part #208262-3
5009-328-0022



TE Part #ZPF000000000100794
DMC-MD 20 C



TE Part #ZPF000000000104661
DMC-MD 24 N-K-T



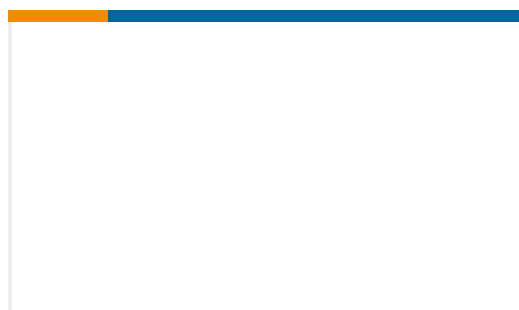
TE Part #218517-001
22759/34-8-9



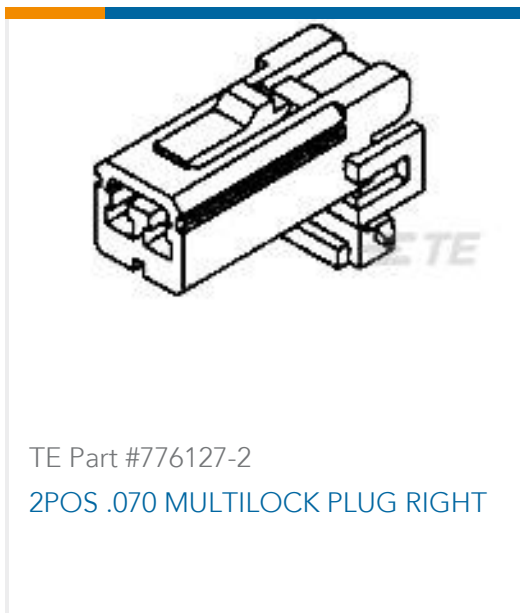
TE Part #1-2186545-1
WINTOTAL-7-DONGLE



TE Part #ZPF000000000015299
DMC-M 20-22 BN



TE Part #309031-004
TU-40-050-28B



Documents

Product Drawings

[ASY,PIN,QUADRAX](#)

English

CAD Files

[3D PDF](#)

3D

Customer View Model

[ENG_CVM_CVM_1445692-3_M.2d_dxf.zip](#)

English

Customer View Model

[ENG_CVM_CVM_1445692-3_M.3d_igs.zip](#)

English

Customer View Model

[ENG_CVM_CVM_1445692-3_M.3d_stp.zip](#)

English

By downloading the CAD file I accept and agree to the [Terms and Conditions](#) of use.

Product Specifications

[Application Specification](#)

English