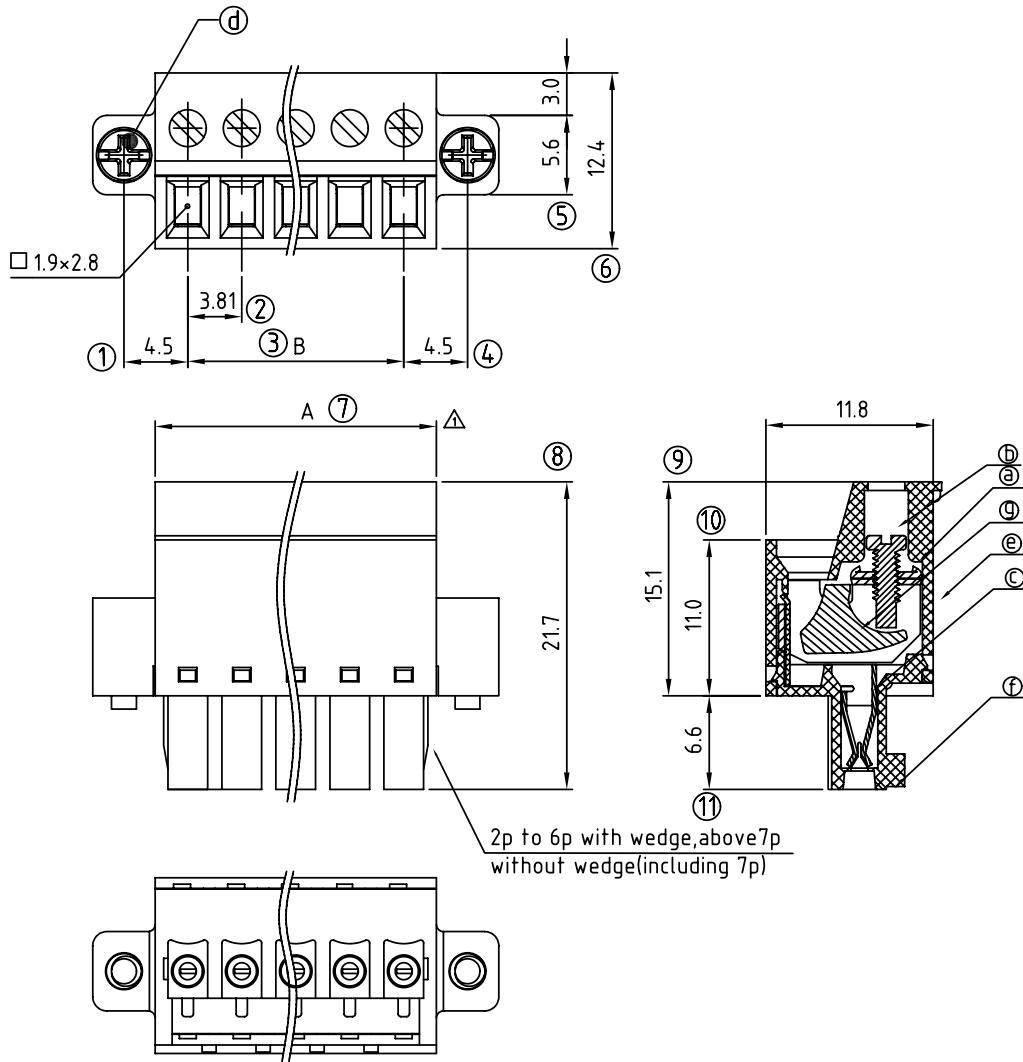


SIGN	DATE	DESCRIPTION	APPROVER
△	11/25'04	The dimension changed from N×3.81 TO N×3.81+0.80	何恩華
△	11/25'04	Part No. changed from VMxx35x2 to VMxx35x2G	何恩華
△	02/07'06	Part No. changed	Tony
△	12/02'08	Flange screw changed from "-" to "+/-"	Kind
△	2010.03.11	Add the rib for 2P - 6P .	Jacke



**Material**

- Item a Clamp: Steel zinc plated.
  - Item b Terminal screw: Brass Zinc plating "-" slot type
  - Item c Female contact: PhBz Tin plated
  - Item d With flange screw: Steel zinc plated M2.5"+/-"slot type
  - Item e Terminal (Up body): Thermoplastic (UL94V-0)
  - Item f Terminal (Down body): Thermoplastic (UL94V-0)
  - Item g Clampage: Steel Zinc plated
- Electrical cULus
- Voltage rating: 300VAC
  - Current rating: 10A
  - Wire range:
  - Solid wire(AWG): 16-28
  - Stranded wire(AWG): 16-28
  - Torque: 1.7Lb-In
  - Screw: M2
  - Wire strip length: 6-7mm
  - Withstanding Voltage: 1.6KV
  - Operating temperature: -40°C to +115°C
  - Safety approval: cULus



● Part No.:

**VM xx 3 5 x 2 xxxx G**

POLES	Color	G: Pb<40000ppm
02 pole	0 Black (RAL9005)	0000: "@logo
''' '''	2 Red (RAL3001/D)	000A: "ANYTEK"logo
24 pole	3 Orange(RAL2011/P)	Any special item by customer request.
	4 Yellow(RAL1018/A)	please contact sales department.
	5 Green(RAL6018/T)	
	6 Blue (RAL5015/A)	
	8 Grey(RAL7035/D)	

POLE		2	3	4	5	6	7	8	9	10	11	12
A		8.42	12.23	16.04	19.85	23.66	27.47	31.28	35.09	38.90	42.71	46.52
B		3.81	7.62	11.43	15.24	19.05	22.86	26.67	30.48	34.29	38.10	41.91
Tol.		±0.20					±0.25					
POLE	13	14	15	16	17	18	19	20	21	22	23	24
A	50.33	54.14	57.95	61.76	65.57	69.38	73.19	77.00	80.81	84.62	88.43	92.24
B	45.72	49.53	53.34	57.15	60.96	64.77	68.58	72.39	76.20	80.01	83.82	87.63
Tol.	±0.30					±0.40						

**ANYTEK**

**CUSTOMER COPY**

ALL RIGHTS RESERVED. REPRODUCTION OR ISSUE TO THIRD PARTIES IN ANY FORM WHATSOEVER IS NOT PERMITTED WITHOUT WRITTEN AUTHORITY FROM THE PROPRIETOR. PROPERTY OF ANYTEK TECHNOLOGY CO., LTD

TITLE	VM 3.81mm W/Flange Series												
PART NO.	VMxx35x2xxxxG						DWG NO.	8VM0202					
APPROVED	CHECKED	DESIGNED	DRAWN	CUST NO.									Tolerance
		Jacke 2010.03.11	Jacke 2010.03.11										X. ±0.50
													X.X ±0.30
													X.XX ±0.10
												X° ±1°	
				SHEET: 01/01				REV.: E					

# Mouser Electronics

Authorized Distributor

Click to View Pricing, Inventory, Delivery & Lifecycle Information:

## Amphenol:

[VM1335020000G](#) [VM0235520000G](#) [VM0335520000G](#) [VM0435520000G](#) [VM0535520000G](#) [VM0635520000G](#)  
[VM0735520000G](#) [VM0835520000G](#) [VM0935520000G](#) [VM1035520000G](#) [VM1135520000G](#) [VM1235520000G](#)  
[VM1335520000G](#) [VM1435520000G](#) [VM1535520000G](#) [VM1635520000G](#) [VM1735520000G](#) [VM1835520000G](#)  
[VM1935520000G](#) [VM2035520000G](#) [VM2135520000G](#) [VM2235520000G](#) [VM2335520000G](#) [VM2435520000G](#)  
[VM1635820000G](#) [VM2435020000G](#) [VM0235820000G](#) [VM0435820000G](#) [VM0735020000G](#) [VM0535820000G](#)  
[VM0735820000G](#) [VM0435020000G](#) [VM0635020000G](#) [VM0335820000G](#) [VM0835020000G](#) [VM0935820000G](#)  
[VM0235020000G](#) [VM0635820000G](#) [VM0935020000G](#) [VM1135820000G](#) [VM1435020000G](#) [VM1735020000G](#)  
[VM1835020000G](#) [VM1035820000G](#) [VM1735820000G](#) [VM1835820000G](#) [VM0835820000G](#) [VM0535020000G](#)  
[VM1035020000G](#) [VM1235020000G](#) [VM1935020000G](#) [VM1935820000G](#) [VM2035820000G](#) [VM2235020000G](#)  
[VM2335020000G](#) [VM1135020000G](#) [VM1235820000G](#) [VM1435820000G](#) [VM1335820000G](#) [VM1635020000G](#)  
[VM1535820000G](#) [VM2135820000G](#) [VM2335820000G](#) [VM2435820000G](#) [VM1535020000G](#) [VM2235820000G](#)  
[VM2135020000G](#) [VM2035020000G](#) [VM0335020000G](#)