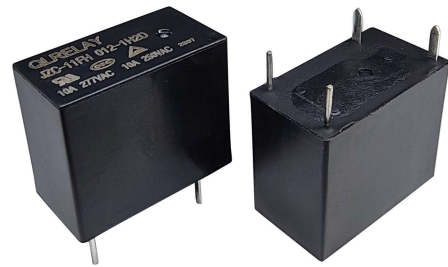


Power Relay Series 功率继电器系列 -- JZC-11FH

FEATURES特点

- 10A contact switching capability
高达10A触点切换能力
- Plastic sealed and flux proofed types
塑封型与防焊剂型可供选择
- 4kV dielectric strength(between coil and contacts)
线圈与触点间介质耐压4kV
- Overall dimensions (18.4X10.2X15.5) mm.
外形尺寸 (18.4X10.2X15.5) mm。



CONTACT PARAMETERS触点参数

Relay Type 产品型号	JZC-11FH xx-1H2L/D
Contact Form 触点形式	1H-1组常开
Rating Load (Resistive) 额定负载 (阻性)	10A 277VAC 10A 125VAC
Max. Switching Current 最大切换电流	10A
Max. Switching Voltage 最大切换电压	277VAC
Max. Switching Power 最大切换功率	2770VA

CHARACTERISTICS性能参数

Contact Materials 触点材料	Ag Alloy 银合金	
Contact Resistance 接触电阻	100mΩ Max	
Operate Time 吸合时间	10ms. Max	
Release Time 释放时间	10ms. Max	
Insulation Resistance 绝缘电阻	1000MΩ Min. (DC500V)	
Initial Dielectric Strength 介质耐压	between open contacts: 触点与触点间:	AC1,000V, 50/60Hz 1Min
	between contacts and coil: 触点与线圈间:	AC4,000V, 50/60Hz 1Min
Vibration Resistance 抗振动	Damage limits: 耐久:	10~55Hz Double Amplitude 双振幅1.5mm
	Malfunction: 误动作:	10~55Hz Double Amplitude 双振幅1.5mm
Shock Resistance 抗冲击	Damage limits: 耐久:	100G Min
	Malfunction: 误动作:	10G Min
Life 寿命	Mechanical Life (10800 per hour) 机械寿命 (每小时10800次)	1×10 ⁷
	Electrical Life (1800 per hour) 电气寿命 (每小时1800次)	1×10 ⁵
Ambient Temperature 环境温度	-40℃ ~ +85℃ (No condensation) (不冷凝)	
Unit Weight 单位重量	约Approx. 6.0g	

COIL RATINGS (at23°C) 线圈参数 (在23°C)

Coil Nominal Voltage 额定电压 (VDC)	Nominal Current 额定电流 ±10%(mA)	Coil Resistance 线圈电阻 ±10% (Ω)	Max. Continuous Voltage 最大连续外加电压	Pick-Up Voltage 吸合电压 (Max)	Drop-Out Voltage 释放电压 (Min)	Rated power 额定功率
3	150.00	20	Coil Nominal Voltage 130% 额定电压的 130%	Coil Nominal Voltage 75% 额定电压的 75%	Coil Nominal Voltage 10% 额定电压的 10%	About 0.45 W 约0.45W
5	90.00	55				
6	75.00	80				
9	50.00	180				
12	37.00	320				
18	25.00	720				
24	18.75	1280				

Coil Nominal Voltage 额定电压 (VDC)	Nominal Current 额定电流 ±10%(mA)	Coil Resistance 线圈电阻 ±10% (Ω)	Max. Continuous Voltage 最大连续外加电压	Pick-Up Voltage 吸合电压 (Max)	Drop-Out Voltage 释放电压 (Min)	Rated power 额定功率
3	66.70	45	Coil Nominal Voltage 130% 额定电压的 130%	Coil Nominal Voltage 75% 额定电压的 75%	Coil Nominal Voltage 10% 额定电压的 10%	About 0.2 W 约0.2W
5	40.00	125				
6	33.33	180				
9	22.22	405				
12	16.67	720				
18	14.81	1620				
24	8.33	2880				

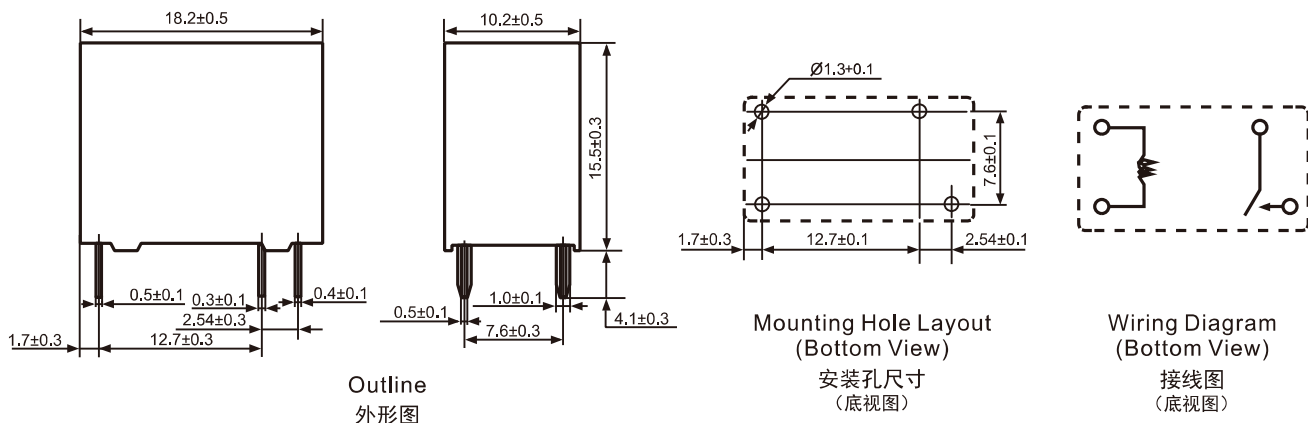
ORDERING INFORMATION 订货标记

JZC-11FH 012 -1H 2 L (XXX)					
1	2	3	4	5	6
1. Model Number 基本型号 JZC-11FH	2. Coil Voltage 线圈规格 (VDC): DC3V, DC5V, DC6V, DC9V, DC12V, DC18V, DC24V		4. Load current specification: 1 - 20A 2 - 10A 负载电流规格: 1 - 20A 2 - 10A		
3. Contact form: 1H-1FormA 触点形式: 1H-1组常开			5. Coil Power: D-0.45 W, L-0.2W 线圈功率: D-0.45W, L-0.2W		
			6. Customer Special Code: XXX- Customer Special Requirements 特殊型号标记: 无一标准品		

SAFETY STANDARD 安规认证

AuthType Basic 认证类别	CQC	TUV	UL
Authentication Load 认证负载	10A 250VAC	10A 250VAC	10A 277VAC 10A 125VAC

OUTLINE, WIRING DIAGRAM, MOUNTING HOLE LAYOUT (UNIT: mm) 外形图、接线图、安装孔尺寸(单位:mm)



Undimensioned tolerance: $< 1\text{mm}$: $\pm 0.2\text{mm}$ $1 \sim 5\text{mm}$: $\pm 0.3\text{mm}$ $> 5\text{mm}$: $\pm 0.4\text{mm}$
 未标注尺寸公差: $< 1\text{mm}$: $\pm 0.2\text{mm}$ $1 \sim 5\text{mm}$: $\pm 0.3\text{mm}$ $> 5\text{mm}$: $\pm 0.4\text{mm}$

Note: 1. The size of the lead foot is pre welding dimension. 注: 1、引出脚尺寸为预焊前尺寸
 2. installation hole size tolerance: $\pm 0.1\text{mm}$ 2、安装孔尺寸公差: $\pm 0.1\text{mm}$

TYPICAL USE 典型用途

- Household equipment, Office equipment, Audio, Smart home, Smart socket, Etc..
- 家用设备, 办公设备, 音响, 智能家居, 智能插座等

PERFORMANCE CHART 性能曲线图

