

Cable trunking SES® with slots and base punching



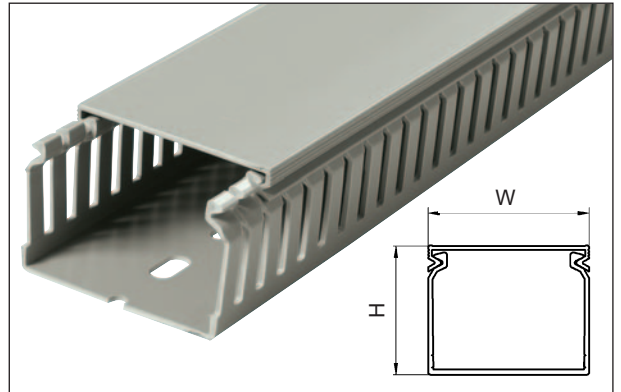
GN-A6/4

C US
Please contact us.



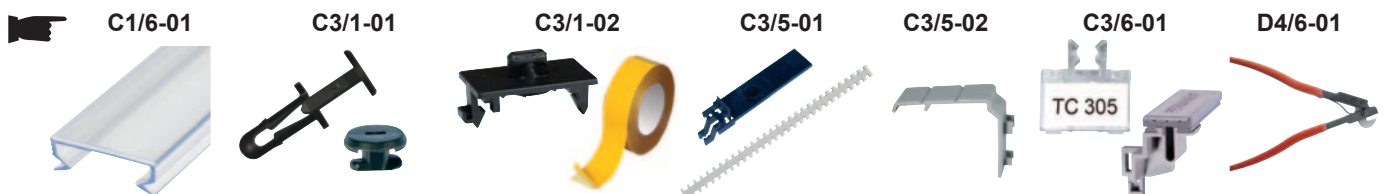
GN-A6/4 LF

Material:	Rigid PVC
Colour:	grey RAL7030
Operating temperatures:	-5 to +65°C
Volume resistivity:	10 ¹⁵ Ω.cm
Dielectric strength:	15kV/mm
Flame resistance:	V0 UL94
Standard length:	2 meters
Double sided adhesive:	upon request
Minimum delivery:	1 complete pack (with lids)



type	trunking (2 m)		ext. dimensions	filling capacity		lids			
	art. no.	m		H mm	L mm	no. of cables (2.5 mm ² per per trunking)	weight per metre g/m	art. no.	m
GN-A6/4	15 x 15*	0839 0111 013	96	20	18	6	180	0839 0490 013	48
GN-A6/4	30 x 25	0839 0131 013	60	30	25	17	502	0839 0500 013	48
GN-A6/4	30 x 40	0839 0132 013	36	30	40	30	909	0839 0510 013	24
GN-A6/4	40 x 25	0839 0141 013	48	40	25	23	698	0839 0500 013	48
GN-A6/4	40 x 30	0839 0146 013	36	40	30	29	878	0839 0505 013	24
GN-A6/4	40 x 40	0839 0142 013	32	40	40	42	1 253	0839 0510 013	24
GN-A6/4	40 x 60	0839 0143 013	24	40	60	66	1 992	0839 0520 013	24
GN-A6/4	40 x 80	0839 0144 013	24	40	80	91	2 732	0839 0530 013	24
GN-A6/4	40 x 100	0839 0145 013	12	40	100	116	3 472	0839 0540 013	12
GN-A6/4	60 x 25	0839 0151 013	48	60	25	36	1 074	0839 0500 013	48
GN-A6/4	60 x 30	0839 0157 013	40	60	30	46	1 365	0839 0505 013	24
GN-A6/4	60 x 40	0839 0152 013	32	60	40	64	1 925	0839 0510 013	24
GN-A6/4	60 x 60	0839 0153 013	24	60	60	102	3 060	0839 0520 013	24
GN-A6/4	60 x 80	0839 0154 013	16	60	80	140	4 195	0839 0530 013	24
GN-A6/4	60 x 100	0839 0155 013	16	60	100	178	5 330	0839 0540 013	12
GN-A6/4	60 x 120	0839 0156 013	12	60	120	216	6 465	0839 0550 013	12
GN-A6/4	80 x 25	0839 0161 013	24	80	25	48	1 435	0839 0500 013	48
GN-A6/4	80 x 30	0839 0167 013	24	80	30	61	1 833	0839 0505 013	24
GN-A6/4	80 x 40	0839 0162 013	24	80	40	86	2 586	0839 0510 013	24
GN-A6/4	80 x 60	0839 0163 013	24	80	60	137	4 120	0839 0520 013	24
GN-A6/4	80 x 80	0839 0164 013	16	80	80	188	5 655	0839 0530 013	24
GN-A6/4	80 x 100	0839 0165 013	12	80	100	240	7 189	0839 0540 013	12
GN-A6/4	80 x 120	0839 0166 013	16	80	120	291	8 723	0839 0550 013	12
GN-A6/4	100 x 30	0839 0170 013	32	100	30	75	2 262	0839 0505 013	24
GN-A6/4	100 x 40	0839 0171 013	24	100	40	107	3 222	0839 0510 013	24
GN-A6/4	100 x 60	0839 0172 013	16	100	60	129	3 866	0839 0520 013	24
GN-A6/4	100 x 80	0839 0173 013	16	100	80	177	5 314	0839 0530 013	24
GN-A6/4	100 x 100	0839 0174 013	16	100	100	225	6 763	0839 0540 013	12
GN-A6/4	100 x 150	0839 0175 013	8	100	150	346	10 385	0839 0560 013	12

* Different geometry (inside dimensions 15x15 mm). Plan on request.

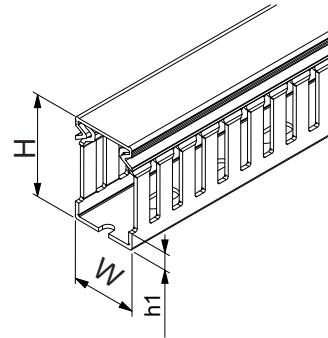
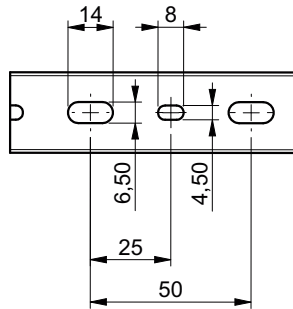
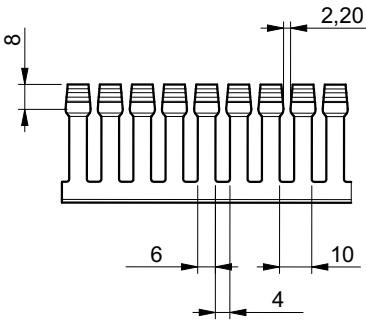


GN-A6/4 LF

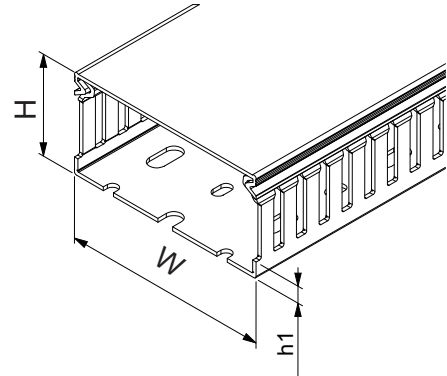
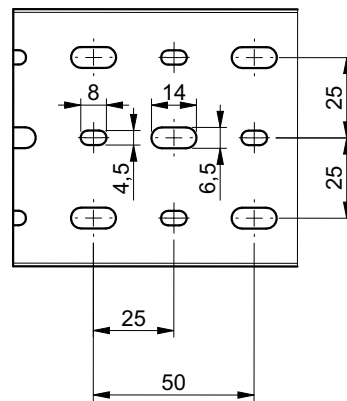
GN-A6/4 15x15: Different geometry (inside dimensions 15x15 mm). Plan on request.

H = 30 mm
H = 40 mm

W 25, 30, 40, 60 mm

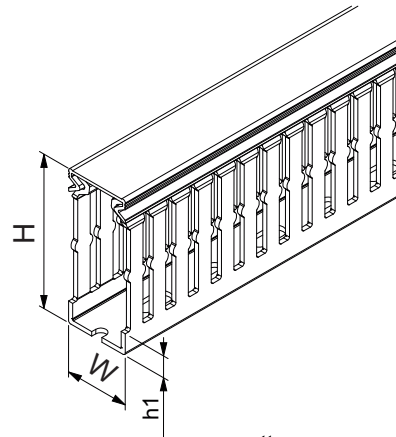
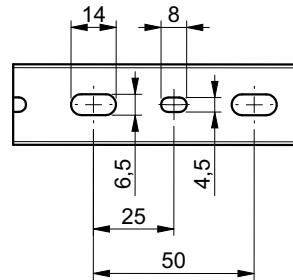
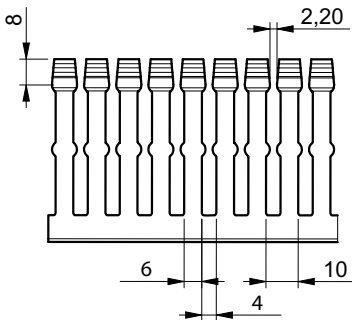


W 80, 100 mm

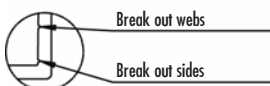
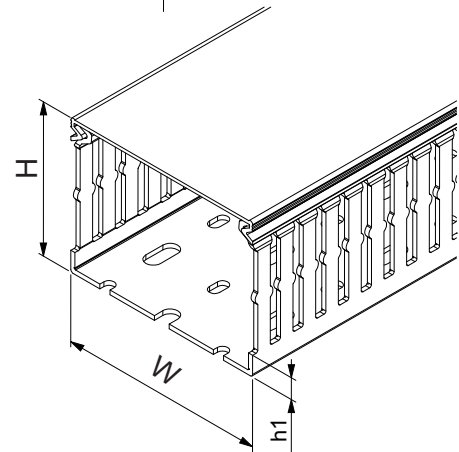
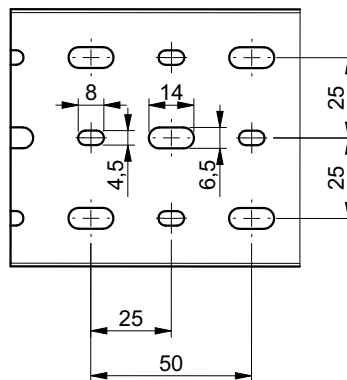


H = 60 mm
H = 80 mm
H = 100 mm

W 25, 30, 40, 60 mm



W 80, 100, 120, 150 mm



Base punching to NF EN 50085

H (mm)	30	40	60	80	100
h1 (mm)	5	7	9	11	16

Cable trunking SES® with slots and base punching

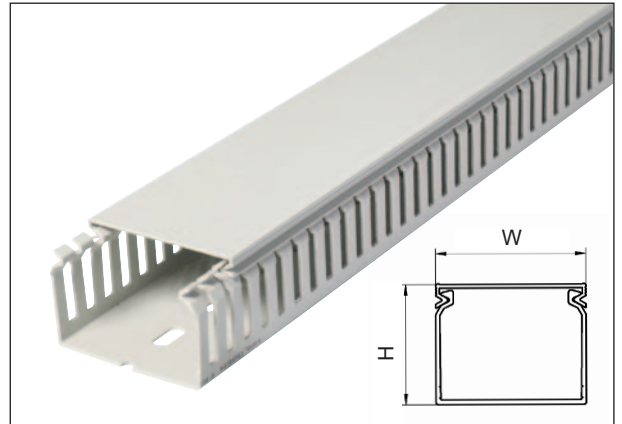




GN-HF-A6/4

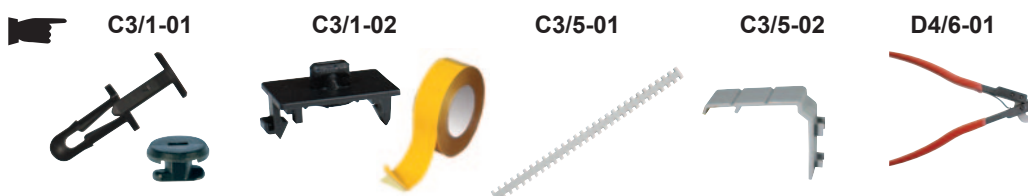


GN-HF-A6/4

Material: PC/ABS
Colour: light grey RAL7035
Operating temperatures: -25 to +90°C
Volume resistivity: 10¹⁵ Ω.cm
Dielectric strength: 35kV/mm
Flame resistance: V0 UL94
Specifications: EN 45545-2 halogen free
Standard length: 2 meters
Double sided adhesive: upon request
Minimum delivery: 1 complete pack (with lids)



type	trunking (2 m) art. no.	 m	ext. dimensions		filling capacity		lids (alone) art. no.	 m
			H mm	L mm	no. of cables (2.5 mm ² per per trunking	weight per metre g/m		
GN-HF-A6/4 30 x 30	0850 0133 025	48	30	30	21	644	0850 0505 025	24
GN-HF-A6/4 40 x 25	0850 0141 025	48	40	25	23	698	0850 0500 025	48
GN-HF-A6/4 40 x 40	0850 0142 025	32	40	40	42	1253	0850 0510 025	24
GN-HF-A6/4 40 x 60	0850 0143 025	24	40	60	66	1992	0850 0520 025	24
GN-HF-A6/4 40 x 80	0850 0144 025	24	40	80	91	2732	0850 0530 025	24
GN-HF-A6/4 60 x 25	0850 0151 025	48	60	25	36	1074	0850 0500 025	48
GN-HF-A6/4 60 x 40	0850 0152 025	32	60	40	64	1925	0850 0510 025	24
GN-HF-A6/4 60 x 60	0850 0153 025	24	60	60	102	3060	0850 0520 025	24
GN-HF-A6/4 60 x 80	0850 0154 025	16	60	80	140	4195	0850 0530 025	24
GN-HF-A6/4 80 x 25	0850 0161 025	24	80	25	48	1435	0850 0500 025	48
GN-HF-A6/4 80 x 40	0850 0162 025	24	80	40	86	2586	0850 0510 025	24
GN-HF-A6/4 80 x 60	0850 0163 025	24	80	60	137	4120	0850 0520 025	24
GN-HF-A6/4 80 x 80	0850 0164 025	16	80	80	188	5655	0850 0530 025	24
GN-HF-A6/4 80 x 100	0850 0165 025	12	80	100	240	7189	0850 0540 025	12
GN-HF-A6/4 100 x 30	0850 0170 025	32	100	30	75	2262	0850 0505 025	24
GN-HF-A6/4 100 x 60	0850 0172 025	16	100	60	129	3866	0850 0520 025	24



Cable trunking SES®
with slots and base punching



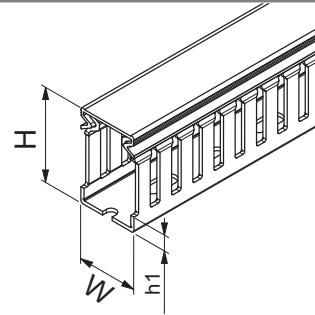
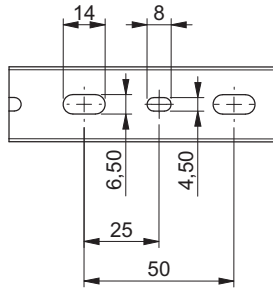
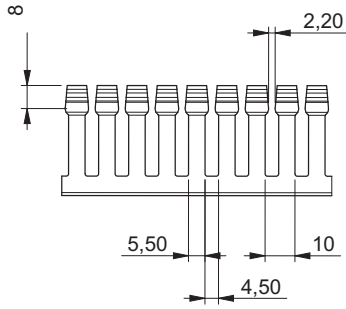
GN-HF-A6/4



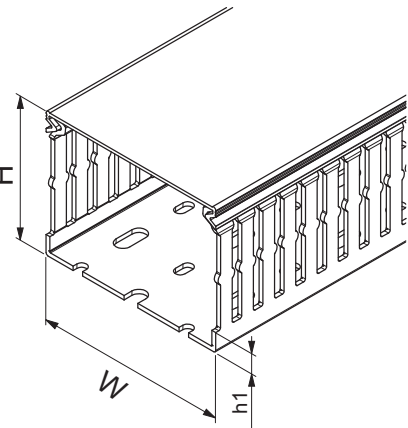
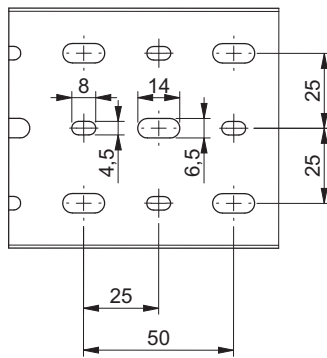
GN-HF-A6/4

H = 30 mm
H = 40 mm

W 25, 30, 40, 60 mm

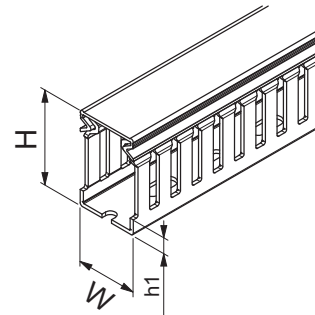
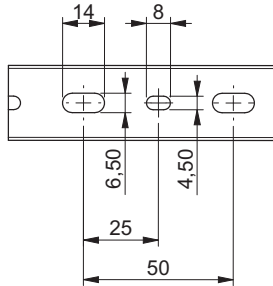
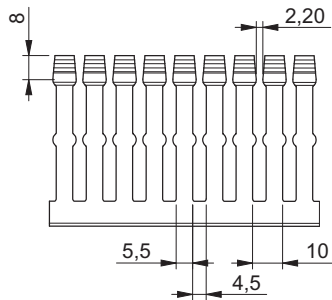


W 80 mm

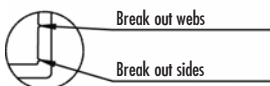
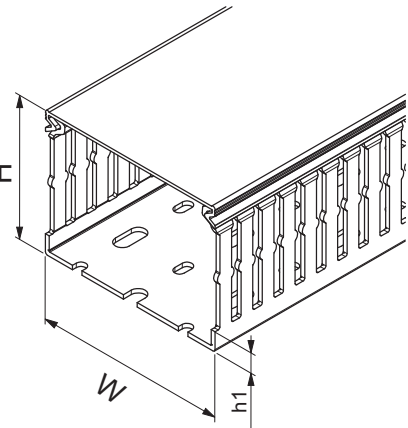
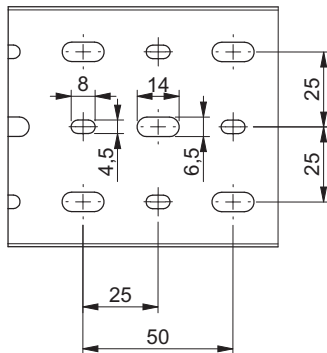


H = 60 mm
H = 80 mm
H = 100 mm

W 25, 30, 40, 60 mm



W 80, 100 mm



Base punching to NF EN 50085

H (mm)	30	40	60	80	100
h1 (mm)	4,3	6,5	8,3	10,3	15



Cable trunking SES[®] with slots and base punching



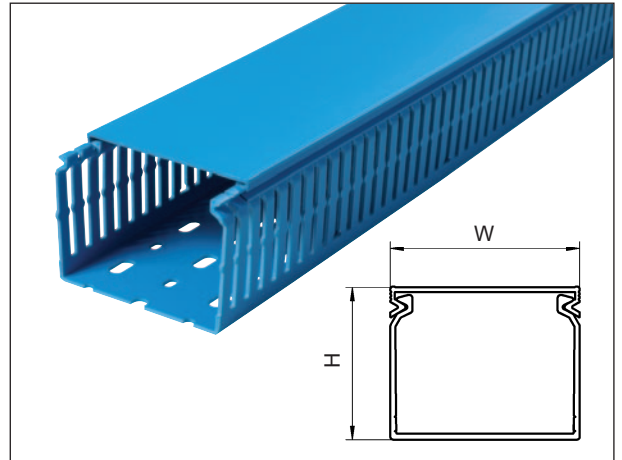
GN-A6/4

C US
Please contact us.

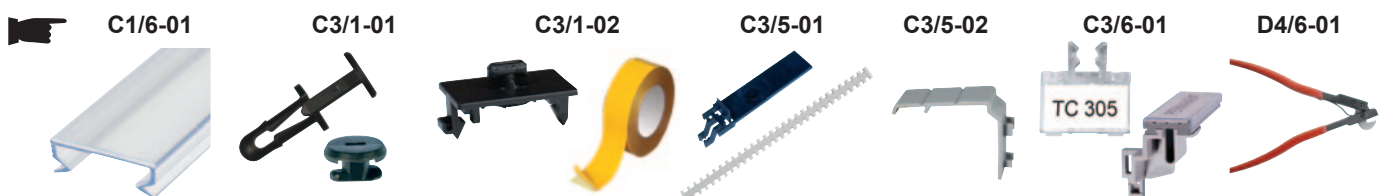


GN-A6/4 blue

Material: rigid PVC
Colour: light blue, RAL 5015
Operating temperatures: -5 to +65°C
Volume resistivity: 10¹⁵ Ω.cm
Dielectric strenght: 15 kV/mm
Flame resistance: V0 UL94
Standard length: 2 meters
Double sided adhesive: upon request
Minimum delivery: 1 complete pack (with lids)
Application: Intrinsically safe area.



type	trunking (2 m) art. no.	 m	ext. dimensions		filling capacity		lids (alone) art. no.	 m
			H mm	L mm	no. of cables (2.5 mm ² per per trunking	weight per metre g/m		
GN-A6/4 30 x 25	0839 0131 083	60	30	25	17	502	0839 0500 083	48
GN-A6/4 40 x 25	0839 0141 083	48	40	25	23	698	0839 0500 083	48
GN-A6/4 40 x 30	0839 0146 083	36	40	30	29	878	0839 0505 083	24
GN-A6/4 40 x 40	0839 0142 083	32	40	40	42	1253	0839 0510 083	24
GN-A6/4 60 x 25	0839 0151 083	48	60	25	36	1074	0839 0500 083	48
GN-A6/4 60 x 30	0839 0157 083	40	60	30	46	1365	0839 0505 083	24
GN-A6/4 60 x 40	0839 0152 083	32	60	40	64	1925	0839 0510 083	24
GN-A6/4 60 x 60	0839 0153 083	24	60	60	102	3060	0839 0520 083	24
GN-A6/4 60 x 80	0839 0154 083	16	60	80	140	4195	0839 0530 083	24
GN-A6/4 80 x 25	0839 0161 083	24	80	25	48	1435	0839 0500 083	48
GN-A6/4 80 x 30	0839 0167 083	24	80	30	61	1833	0839 0505 083	24
GN-A6/4 80 x 40	0839 0162 083	24	80	40	86	2586	0839 0510 083	24
GN-A6/4 80 x 60	0839 0163 083	24	80	60	137	4120	0839 0520 083	24
GN-A6/4 80 x 80	0839 0164 083	16	80	80	188	5655	0839 0530 083	24
GN-A6/4 80 x 100	0839 0165 083	12	80	100	240	7189	0839 0540 083	12
GN-A6/4 80 x 120	0839 0166 083	16	80	120	291	8723	0839 0550 083	12
GN-A6/4 100 x 60	0839 0172 083	16	100	60	129	3866	0839 0520 083	24
GN-A6/4 100 x 80	0839 0173 083	16	100	80	177	5314	0839 0530 083	24
GN-A6/4 100 x 100	0839 0174 083	16	100	100	225	6763	0839 0540 083	12



Cable trunking SES®
with slots and base punching



GN-A6/4

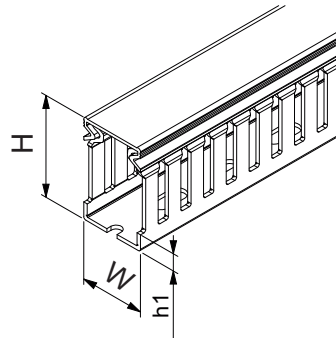
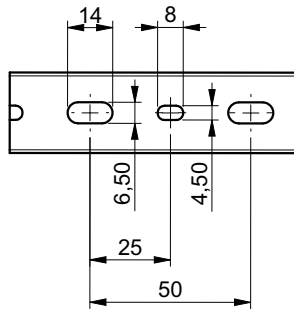
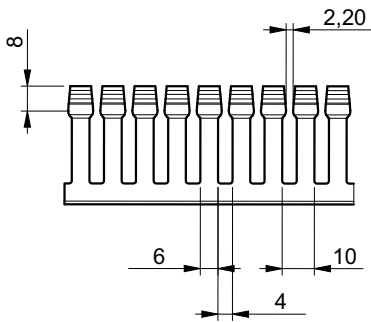
C **RU** **US**
Please contact us.



GN-A6/4 blue

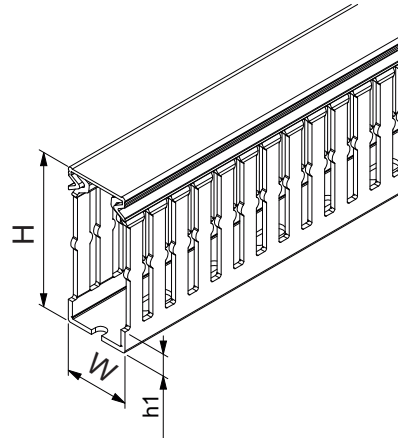
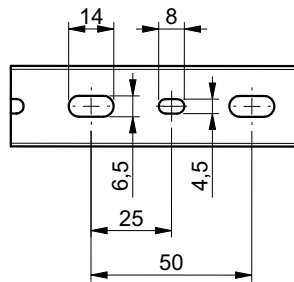
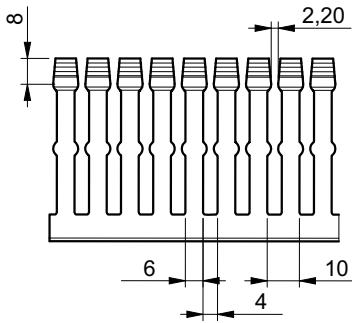
H = 30 mm
H = 40 mm

W 25, 30, 40 mm

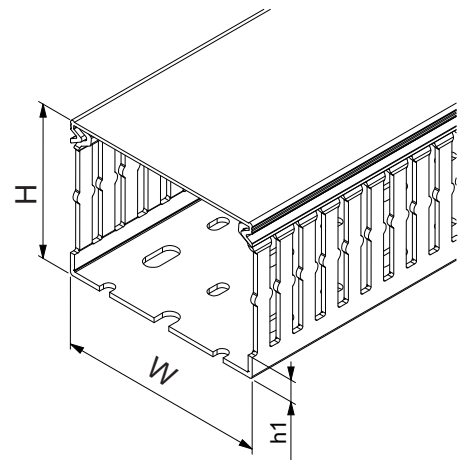
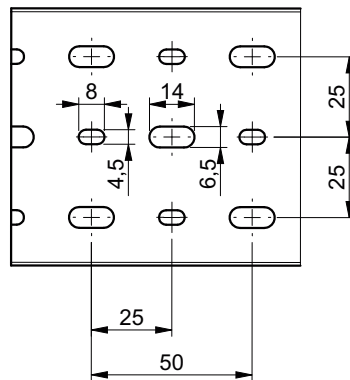
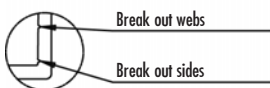


H = 60 mm
H = 80 mm
H = 100 mm

W 25, 30, 40, 60 mm



W 80, 100, 120 mm



Base punching to NF EN 50085

H (mm)	30	40	60	80	100
h1 (mm)	5	7	9	11	16

