



DATA SHEET	53001010
SKINDICHT® O-Ring Perbunan® PG	valid from : 15.1.2016

The SKINDICHT® O-Ring are sealing rings of NBR (Perbunan®) used for reliable sealing against oil, dust and water on the connecting thread of glands or similar components.



Technical features:

Material	NBR (Perbunan®), halogen-free, UV-resistant, Ozone-resistant
Color	Black
Sizes	PG7 up to PG48
Temperature range	-20 °C up to +100 °C

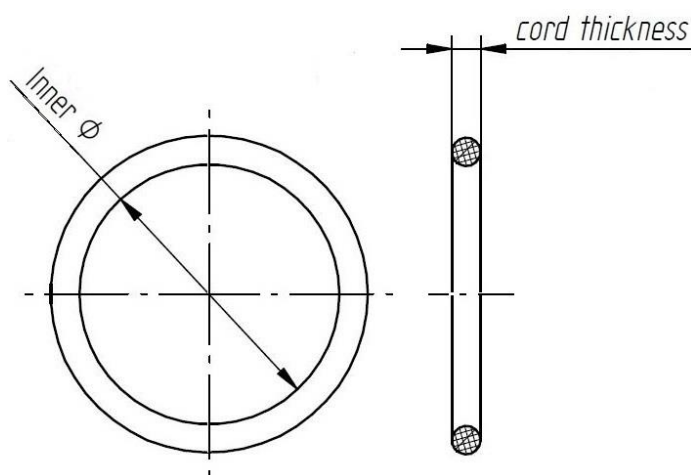
Norm references:



Perbunan® is a registered trademark of BAYER AG.

For more information please see our current catalogue.

Article designation	Inner Ø x cord thickness [mm]	Article No.
O 7	10 x 1,5	53001010
O 9	13 x 1,5	53102011
O 11	16 x 1,5	53001020
O 13,5	18 x 1,5	52005740
O 16	20 x 1,5	53001030
O 21	26 x 2	52005750
O 29	34 x 2	53001040
O 36	44 x 2	52005760
O 42	50 x 2	53001050
O 48	55 x 2	52005770



elaborated by: PDP: T. Dvoulety	Document: DB53001010_3EN	page 1 of 1
------------------------------------	--------------------------	-------------