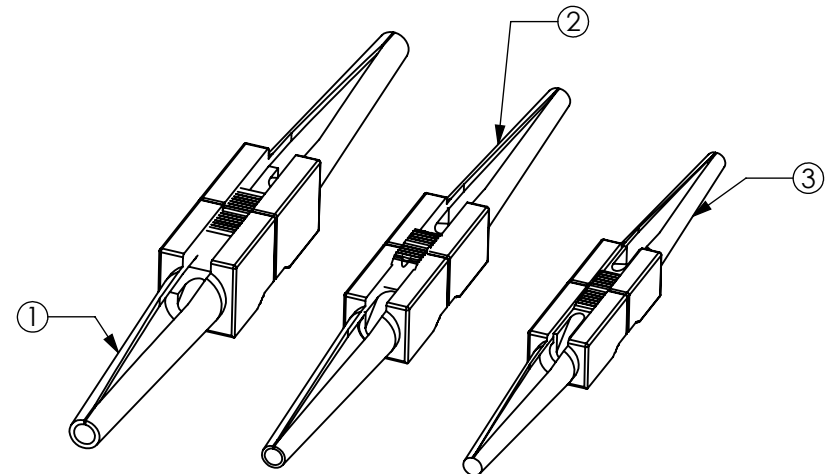


THE INFORMATION CONTAINED IN THIS DRAWING IS THE SOLE PROPERTY OF ANDERSON POWER PRODUCTS. ANY REPRODUCTION IN PART OR WHOLE WITHOUT THE WRITTEN PERMISSION OF ANDERSON POWER PRODUCTS IS PROHIBITED.

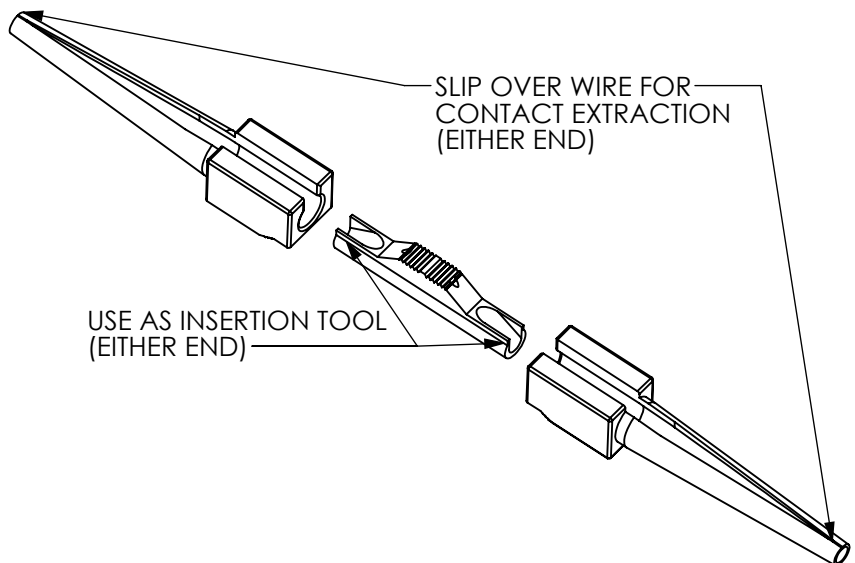
Copyright 2015

ANDERSON POWER PRODUCTS RESERVES THE RIGHT TO ALTER PRODUCT TYPES, THEIR TECHNICAL DATA, DIMENSION, STYLE AND ACCESSORIES WITHOUT PRIOR NOTIFICATION.

INCLUDED TOOLS



TYPICAL



| ITEM | QTY. | P/N | DESCRIPTION |
|------|------|--------------|---|
| 1 | 1 | M81969-14-04 | #12 AWG (WH-YELLOW) PLASTIC INSERTION/EXTRACTION TOOL |
| 2 | 1 | M81969-14-03 | #16 AWG (WH-BLUE) PLASTIC INSERTION/EXTRACTION TOOL |
| 3 | 1 | M81969-14-11 | #20 AWG (WH-RED) PLASTIC INSERTION/EXTRACTION TOOL |

NOTES:

- TOOLS FOR USE WITH 75 AMP POWER DRAWER PIN AND SOCKET CONTACTS
- ITEMS USED FOR INSERTION AND EXTRACTION AS SHOWN IN EXPLODED VIEW

| | | | | |
|------------------------------|---------------|---|---------------|---|
| DIMENSIONS ARE IN: MM [INCH] | | APPROVALS | | <p>ANDERSON POWER PRODUCTS</p> <p>TITLE</p> <p>CAT. NO. 100G2 INSERTION/EXTRACTION TOOLS FOR 35 AMP POWER DRAWER</p> |
| UNLESS OTHERWISE STATED | | DRAWN | CMS 6/18/2015 | |
| TOLERANCES: | | CHECKED | JYL 6/21/2015 | |
| DECIMALS (INCH) | DECIMALS (MM) | ANGLES | | |
| .XX ± .02 | .X ± .5 | ±2° | | |
| SURFACE FINISH: | | MFG APPRV | CHB 6/25/2015 | |
| MACHINED | 3.2µ [128µin] | QC APPRV | UFN 6/24/2015 | |
| MOLDED | 1.6µ [64µin] | ENG APPRV | CLY 6/24/2015 | |
| MATERIAL: PLASTIC | | SIZE | A | |
| FINISH: | | DWG NO. | 115448S1 | |
| | | REV. | 0 | |
| <p>3rd ANGLE PROJECTION</p> | | -CAD GENERATED DRAWING- DO NOT MANUALLY UPDATE DO NOT SCALE | | |
| SCALE | | CADFILE | SHEET | |
| NONE | | 04556 | 1 OF 1 | |

| REV. | DESCRIPTION | APPRV | DATE |
|-----------|-------------|-------|------|
| REVISIONS | | | |