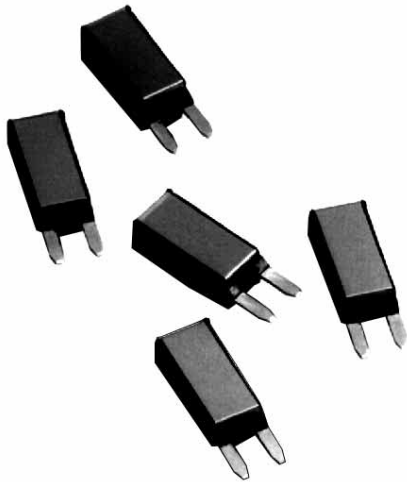


MINI Circuit Breakers

Series 210

Automotive & Modified Reset Circuit Breakers



Series 210 Mini

Auto & Modified Reset Circuit Protectors

SPECIFICATIONS

Single Pole Thermal Type Breakers

Ratings: 10A, 15A, 20A, 25A; Voltage of 14VDC.

Operating Temperature: -40°F (-40°C) to 185°F (85°C).

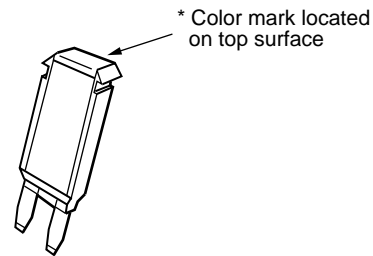
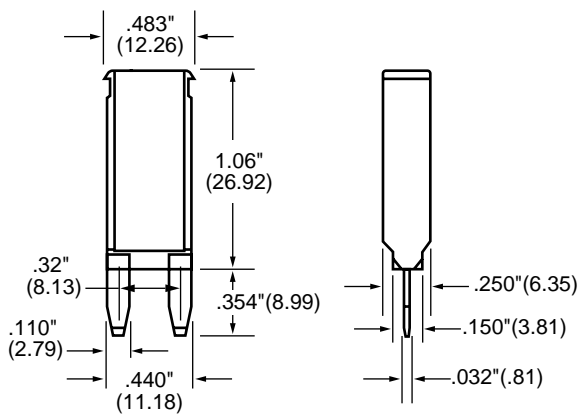
Storage Temperature: -40°F (-40°C) to 260°F (125°C).

Cover: Gray plastic housing with standard gold cover (Type I) or silver cover (Type II).

Marking: Standard marking includes amp/volt ratings, part number, and date code.

Termination Type: Compatible with 280 Type fuse blocks using 8.1mm centerline.

Approvals: Complies with SAE standard J553 Type I and Type II Circuit Breakers.



PART NUMBERING SYSTEM

Series



211 – Type I, 14VDC
212 – Type II, 14VDC

Rating*



10 – 10 amps (Red)
15 – 15 amps (Blue)
20 – 20 amps (Yellow)
25 – 25 amps (White)

Marking



00 – Std. Marking
(Consult Factory for Special Options)

Special Options



(Consult Factory for Special Options)