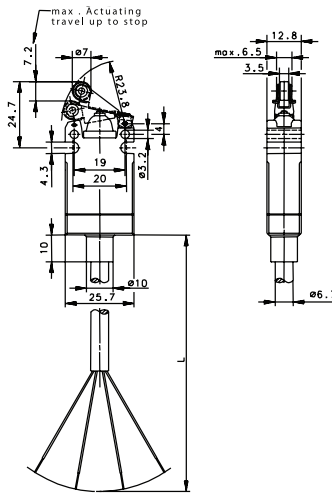
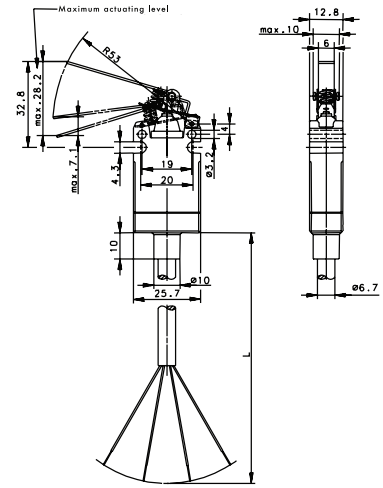


EEX Series Limit Switches

EEX RHL



EEX UH



6.5' (2 meter) connection cable

609.0149.027
EEX-SU1Z RHL -2M-
13 14
21 22

609.0146.012
EEX-SU1 UH -2M-
13 14
21 22

16.4' (5 meter) connection cable

609.0149.029
EEX-SU1Z RHL -5M-
13 14
21 22

609.0146.014
EEX-SU1 UH -5M-
13 14
21 22

29.5' (9 meter) connection cable

-
-

-
-

EX Certification

II 2 G EEx d IIC T6

II 2 G EEx d IIC T6

Technical Information

Maximum Switching Voltage
Maximum Switching Amperage
B10d
Mechanical Service Life
Switching Frequency
Operating Temperature
Protection Rating
Utilization Category
Rate Insulation Voltage

230V
5A
4 Million
2 x 10 ⁶
≤ 120/min
-20 °C to +65 °C
IP66 / IP67
AC 15, 240 V / 3 A; DC 13, 250 V / 0.27 A
250VAC

230V
5A
4 Million
2 x 10 ⁶
≤ 120/min
-20 °C to +65 °C
IP66 / IP67
AC 15, 240 V / 3 A; DC 13, 250 V / 0.27 A
250VAC

Mouser Electronics

Authorized Distributor

Click to View Pricing, Inventory, Delivery & Lifecycle Information:

[Altech:](#)

[609.0149.027](#) [609.0146.012](#) [609.0146.014](#) [609.0149.029](#)