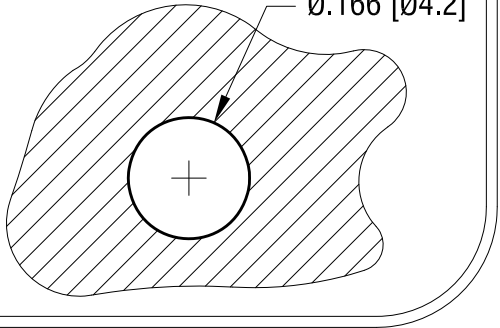


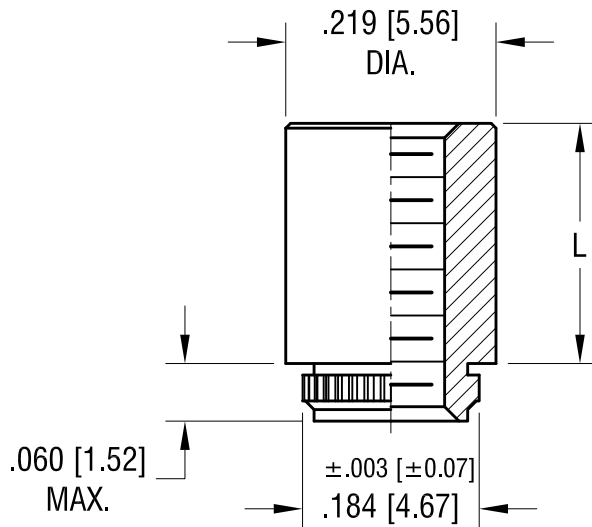
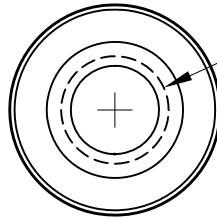
THIS DOCUMENT IS THE PROPERTY OF
KEYSTONE ELECTRONICS CORP. AND
SHALL NOT BE REPRODUCED, DISTRIBUTED
OR USED AS A BASIS FOR MANUFACTURE
WITHOUT PRIOR WRITTEN PERMISSION
FROM KEYSTONE ELECTRONICS CORP.

MOUNTING HOLE:

Ø.166 [Ø4.2]



4-40 THREAD



| PART NO. | 'L' DIM. |
|----------|-------------|
| 4861 | .065 [1.65] |
| 4862 | .125 [3.18] |
| 4863 | .250 [6.35] |
| 4864 | .375 [9.53] |

| DATE | DESCRIPTION | REV. |
|----------|--------------------------|------|
| 1.22.13 | CHANGE AS PER ECN 13-003 | C |
| 6.30.09 | CHANGE AS PER ECN 09-092 | B |
| 12.19.05 | CHANGE AS PER ECN 05-84 | A |

KEYSTONE ELECTRONICS CORP.
www.keyelco.com • NEW HYDE PARK, NY 11040 • Tel (516) 328-7500

PART NAME
FORCE-FIT STANDOFF, THREADED

MATERIAL
STAINLESS STEEL

| | | |
|-----------------------|------------------------|------------------------|
| FINISH NONE | DRN BY BOONE | DATE 3.14.97 |
| | APP'D RH | SCALE 5X |

TOLERANCES INCH [MM]
DECIMAL ±.005 [±0.13]
ANGULAR ± 1°
UNLESS OTHERWISE SPECIFIED

CODE
C

DWG NO.
4861-4864