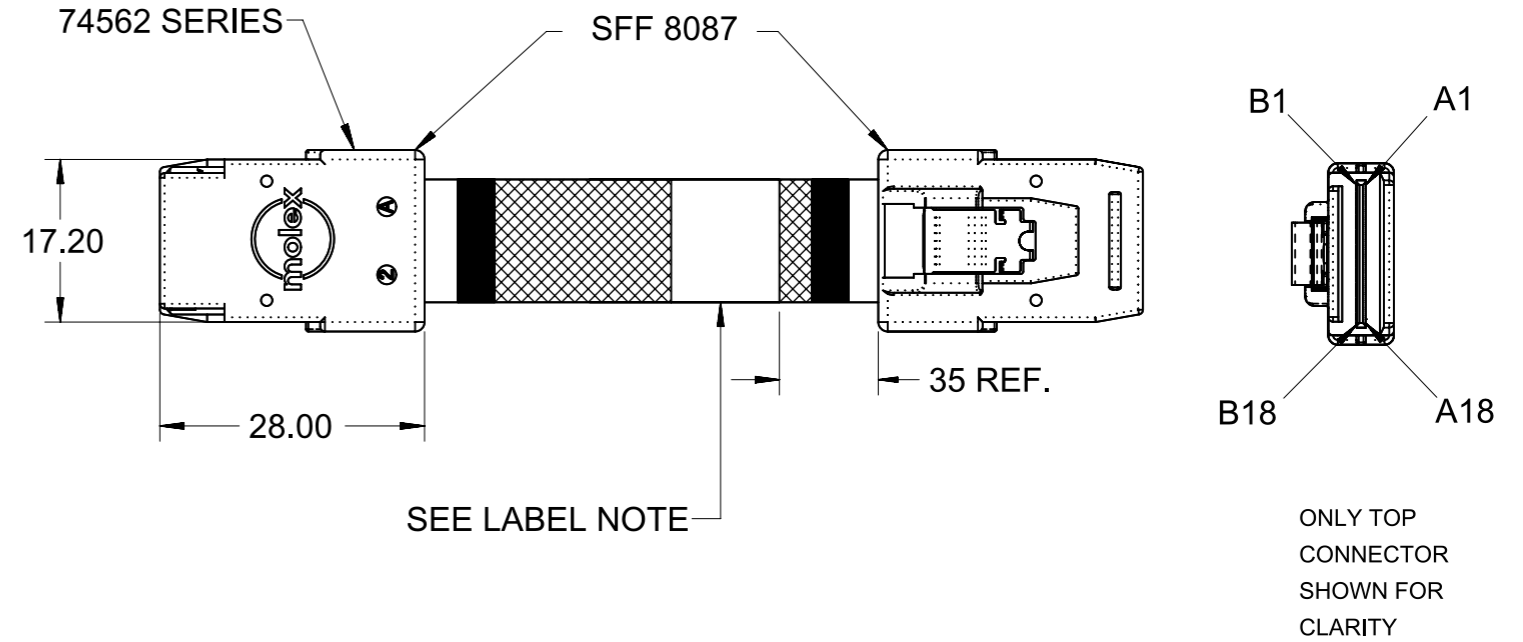
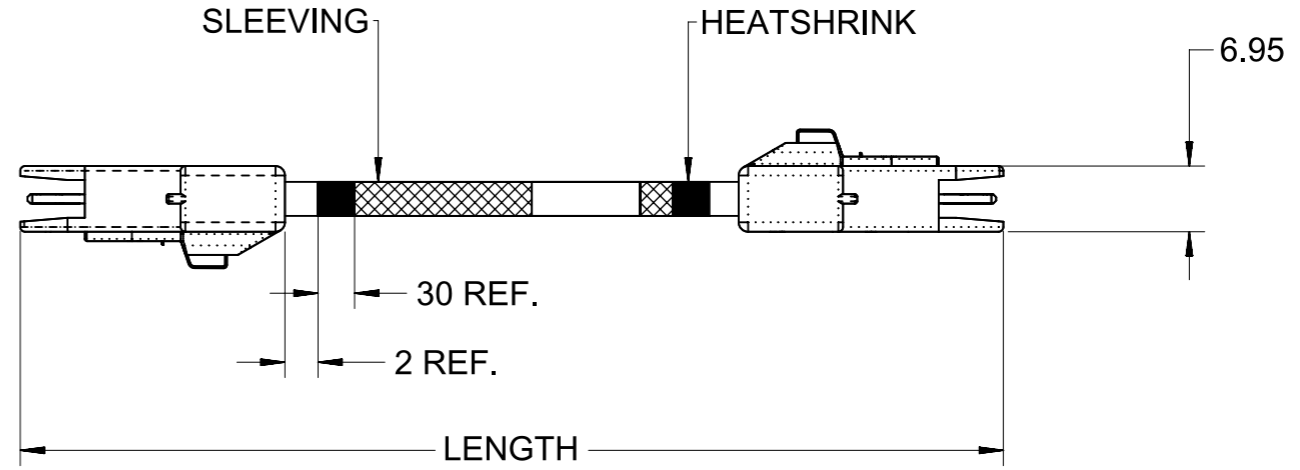


MOLEX P/N	SIDEBANDS	APPLICATION	SLEEVING	AWG	LENGTH(M)	TOL (+/-)	PIN OUT
795762102	YES	CTRL TO BP	YES	30	0.5	0.015	PIN OUT 1
795762103	YES	CTRL TO BP	YES	30	0.6	0.015	PIN OUT 1
795762107	YES	CTRL TO BP	YES	30	0.225	0.015	PIN OUT 1
795762137	NO	N/A	YES	28	0.6	0.015	PIN OUT 3
795762138	NO	N/A	YES	26	0.9	0.015	PIN OUT 3



NOTES:

1. MATERIAL:

- OVER MOLD - POLYBUTYLENE TEREPHTHALATE (PBT), 94-V0, GLASS FILLED 30%.
- LATCH - STAINLESS STEEL ALLOY.
- CABLE -
 - SIGNALS PVC INSULATION
 - SOLID COPPER SIGNAL AND DRAIN.
 - INNER DIELECTRIC IS POLYOLEFIN
 - TWIN-AX SHIELD IS ALUMINIZED POLYESTER FOIL.
- JACKET - PVC RED
- PCB - FR4

2. PRODUCT TO PERFORM PER

PRODUCT SPECIFICATION: PS-75783-001.

3. PRODUCT MATES TO 75783 (RIGHT ANGLE) AND

75784 (VERTICAL) SERIES.

4. THIS PRODUCT CONFORMS TO THE MECHANICAL

DIMENSIONING AND ELECTRICAL PERFORMANCE REQUIREMENTS OF SFF-8087.

5. MINIMUM RECOMMENDED BEND RADIUS 28 MM.

6. THIS PRODUCT MEETS THE RESTRICTION OF HAZARDOUS SUBSTANCES

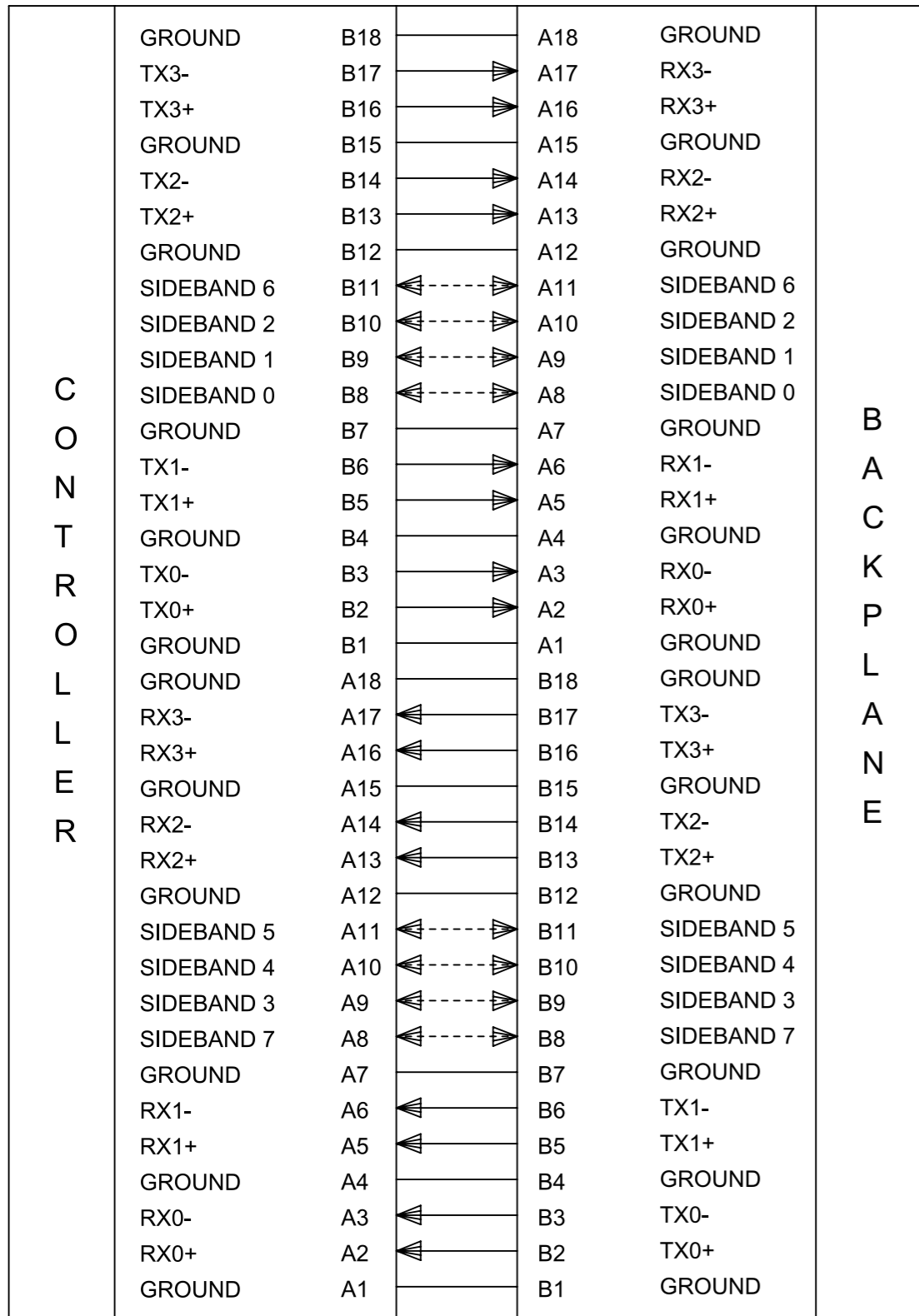
IN ELECTRICAL AND ELECTRONIC EQUIPMENT (RoHS) DIRECTIVE (2002/95/EC)

7. LABEL INFO.

MOLEX
 <<PART NUMBER>>
 MADE IN XXXX (XXXX: MANUFACTURING LOCATION: US/ CHINA/ PHILIPPINES)
 WW/YY

IPASS™ IS A TRADEMARK OF MOLEX.

THIS DRAWING CONTAINS INFORMATION THAT IS PROPRIETARY TO MOLEX ELECTRONIC TECHNOLOGIES, LLC AND SHOULD NOT BE USED WITHOUT WRITTEN PERMISSION															
DIMENSION UNITS		SCALE		CURRENT REV DESC: ADDED BACK ACTIVE PART NUMBER 795762137, 795762138 & REMOVED OBSOLETE P/N						molex					
mm/IN		NTS													
GENERAL TOLERANCES (UNLESS SPECIFIED)				STATUS: Production DRWN: Vishal Ramesh Hosur 2024-03-06 CHK'D: Ganesh Rao B 2024-03-07 APPR: Gurunandan GA 2024-03-07 INITIAL REVISION: DRWN: JERWIN 2006/04/25 APPR: DDOYE 2006/04/25						DOCUMENT NUMBER		DOC TYPE	DOC PART	REVISION	
										SD-79576-200		PSD	001	P2	
4 PLACES ±										3 PLACES ±		2 PLACES ±		1 PLACE ±	
0 PLACES ±										ANGULAR TOL ± 1°		DRAFT WHERE APPLICABLE MUST REMAIN WITHIN DIMENSIONS		THIRD ANGLE PROJECTION	
										DRAWING		SERIES		MATERIAL NUMBER	
				A3-SIZE		79576		SEE TABLE							
				GENERAL MARKET		1 OF 4									



P I N O U T 1

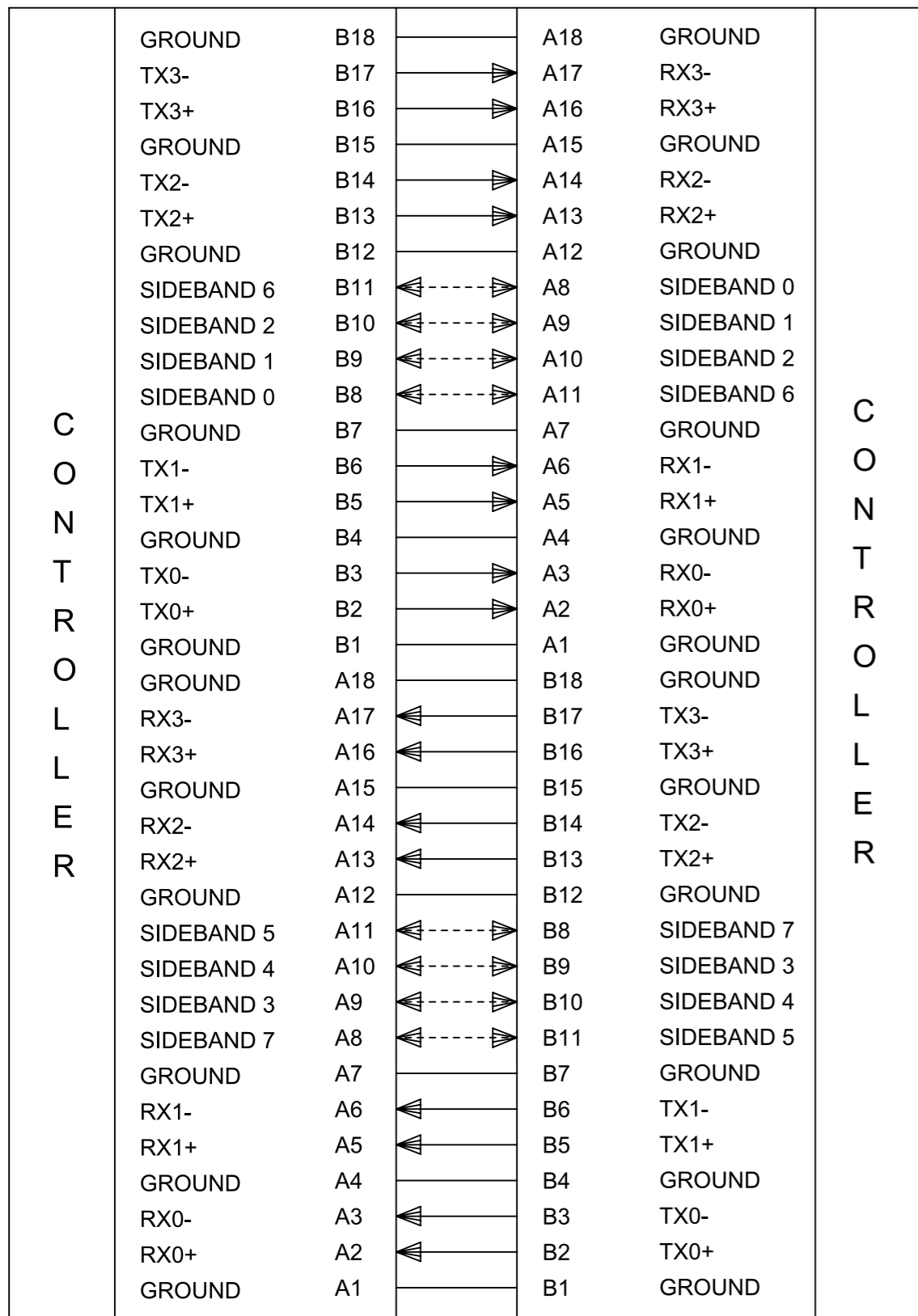
B A C K P L A N E

NOTE:

1. PINOUT CONFORMS TO SAS 1.1 9.0D SECTION 5.2.4.1.2.3
2. ALL SIGNAL GROUNDS ARE BUSSED IN PCB.

IPASS™ IS A TRADEMARK OF MOLEX

THIS DRAWING CONTAINS INFORMATION THAT IS PROPRIETARY TO MOLEX ELECTRONIC TECHNOLOGIES, LLC AND SHOULD NOT BE USED WITHOUT WRITTEN PERMISSION									
DIMENSION UNITS mm/IN		SCALE NTS		CURRENT REV DESC: ADDED BACK ACTIVE PART NUMBER 795762137, 795762138 & REMOVED OBSOLETE P/N					
GENERAL TOLERANCES (UNLESS SPECIFIED)				STATUS: Production					
				DRWN: Vishal Ramesh Hosur 2024-03-06				IPASS (MINI-SAS)	
				CHK'D: Ganesh Rao B 2024-03-07				INTERNAL CABLE 36 CKT 4X W/ SIDEBANDS	
				APPR: Gurunandan GA 2024-03-07				PRODUCT SALES DRAWING	
				INITIAL REVISION:				DOCUMENT NUMBER	
				DRWN: JERWIN 2006/04/25				SD-79576-200	
				APPR: DDOYE 2006/04/25				PSD 001 P2	
DRAFT WHERE APPLICABLE MUST REMAIN WITHIN DIMENSIONS		THIRD ANGLE PROJECTION		DRAWING		SERIES		SHEET NUMBER	
				A3-SIZE		79576		2 OF 4	

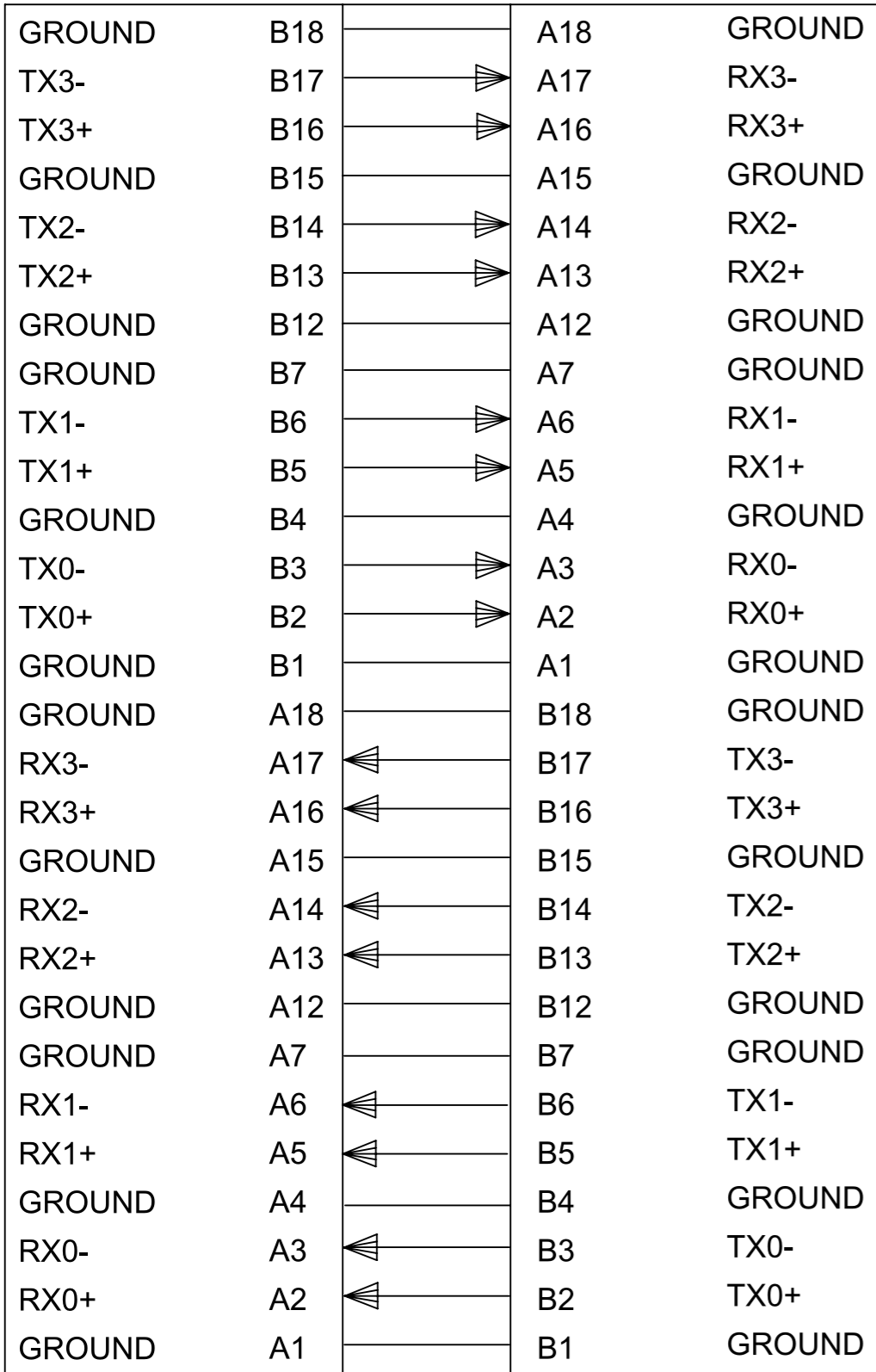


NOTE
 1. FOR CONTROLLER TO CONTROLLER.
 2. ALL SIGNAL GROUNDS ARE BUSSED IN PCB.

P
I
N
O
U
T
2

IPASS™ IS A TRADEMARK OF MOLEX

THIS DRAWING CONTAINS INFORMATION THAT IS PROPRIETARY TO MOLEX ELECTRONIC TECHNOLOGIES, LLC AND SHOULD NOT BE USED WITHOUT WRITTEN PERMISSION											
DIMENSION UNITS mm/IN		SCALE NTS		CURRENT REV DESC: ADDED BACK ACTIVE PART NUMBER 795762137, 795762138 & REMOVED OBSOLETE P/N							
GENERAL TOLERANCES (UNLESS SPECIFIED)						STATUS: Production					
				DRWN: Vishal Ramesh Hosur		2024-03-06					
4 PLACES ±		±		CHK'D: Ganesh Rao B		2024-03-07					
3 PLACES ±		± 0.0100		APPR: Gurunandan GA		2024-03-07		PRODUCT SALES DRAWING			
2 PLACES ± 0.250		±		INITIAL REVISION:				DOCUMENT NUMBER		DOC TYPE DOC PART REVISION	
1 PLACE ±		±		DRWN: JERWIN				2006/04/25		SD-79576-200	
0 PLACES ±		±		APPR: DDOYE				2006/04/25		PSD 001 P2	
ANGULAR TOL ± 1°		± 1°		THIRD ANGLE PROJECTION		DRAWING		SERIES		MATERIAL NUMBER	
DRAFT WHERE APPLICABLE MUST REMAIN WITHIN DIMENSIONS				A3-SIZE		79576		SEE TABLE		CUSTOMER	
				GENERAL MARKET		3 OF 4					



P
I
N
O
U
T
3

NOTE

1. FOR NO SIDE BANDS
2. ALL SIGNAL GROUNDS ARE BUSSED IN PCB.

IPASS™ IS A TRADEMARK OF MOLEX

THIS DRAWING CONTAINS INFORMATION THAT IS PROPRIETARY TO MOLEX ELECTRONIC TECHNOLOGIES, LLC AND SHOULD NOT BE USED WITHOUT WRITTEN PERMISSION									
DIMENSION UNITS mm/IN		SCALE NTS		CURRENT REV DESC: ADDED BACK ACTIVE PART NUMBER 795762137, 795762138 & REMOVED OBSOLETE P/N				molex	
GENERAL TOLERANCES (UNLESS SPECIFIED)						STATUS: Production DRWN: Vishal Ramesh Hosur 2024-03-06 CHK'D: Ganesh Rao B 2024-03-07 APPR: Gurunandan GA 2024-03-07			
		MM		INCH				PRODUCT SALES DRAWING	
4 PLACES ±		±		±		DOCUMENT NUMBER SD-79576-200			
3 PLACES ±		± 0.250		± 0.0100					
2 PLACES ±		±		±		REVISION P2			
1 PLACE ±		±		±				MATERIAL NUMBER SEE TABLE	
0 PLACES ±		±		±		CUSTOMER GENERAL MARKET			
ANGULAR TOL ± 1°		± 1°		± 1°					
DRAFT WHERE APPLICABLE MUST REMAIN WITHIN DIMENSIONS				THIRD ANGLE PROJECTION		DRAWING A3-SIZE		SERIES 79576	