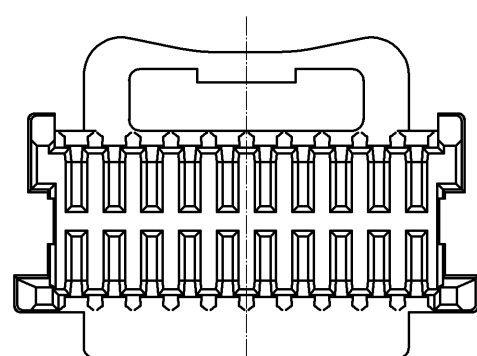
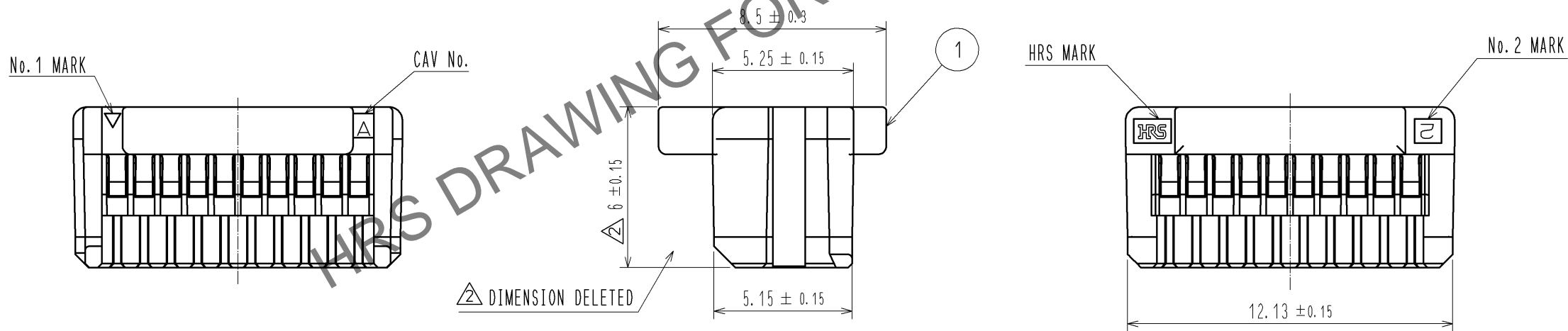
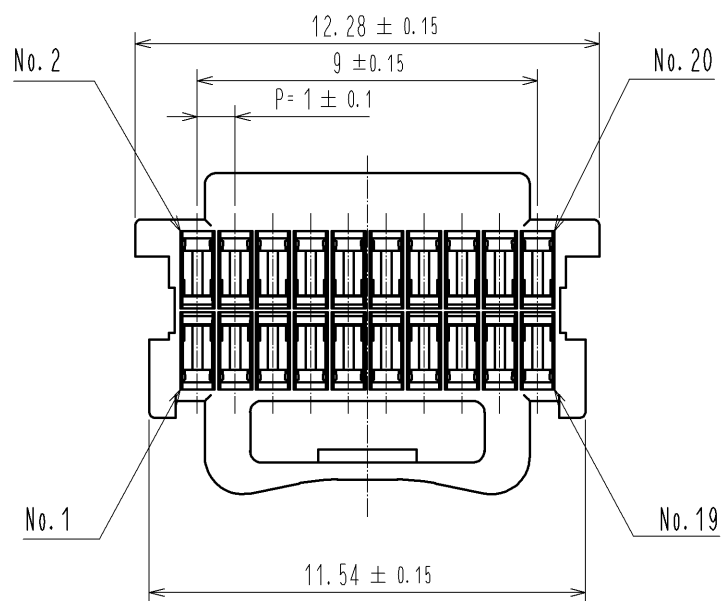


Jul.1.2024 Copyright 2024 HIROSE ELECTRIC CO., LTD. All Rights Reserved.
 In case of consideration for using Automotive equipment / device which demand high reliability, kindly contact our sales window correspondents.



NOTE 1. 100 PIECES PER PACK

NO.	MATERIAL	FINISH . REMARKS	NO.	MATERIAL	FINISH . REMARKS
			1	PBT	UL94V-0. WHITE
UNITS mm		SCALE 5 : 1	COUNT 2	DESCRIPTION OF REVISIONS DIS-H-008139	DESIGNED ST. SATO
					CHECKED HK. UMEHARA
					DATE 13. 09. 06
HRS	HIROSE ELECTRIC CO., LTD.	APPROVED : OM. MIYAMOTO 12. 01. 31		DRAWING NO. EDC3-339520-00	
		CHECED : OM. MIYAMOTO 12. 01. 31		PART NO. DF50S-20DS-1C	
		DESIGNED : TT. OHSAKO 12. 01. 31		CODE NO. CL665-0020-2-00	
		DRAWN : TT. OHSAKO 12. 01. 31			1/1