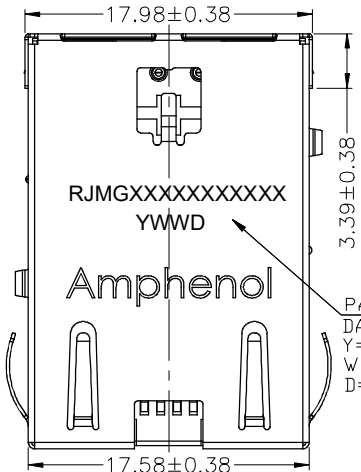


This document is the property of Amphenol Corporation and is delivered on the express condition that it is not to be disclosed, reproduced or used, in whole or in part, for manufacture or sale by anyone other than Amphenol Corporation without its prior consent, and that no right is granted to disclose or to use any information in this document.

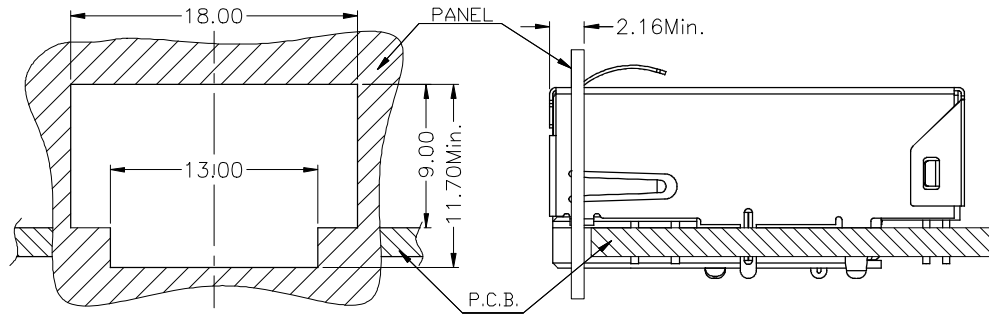
The marking on this product doesn't contain environmental hazardous materials per Material Specification SS-00259 for Sony GP compliant or per directive 2011/65/EU for RoHS compliant.

CUSTOMER DRAWING

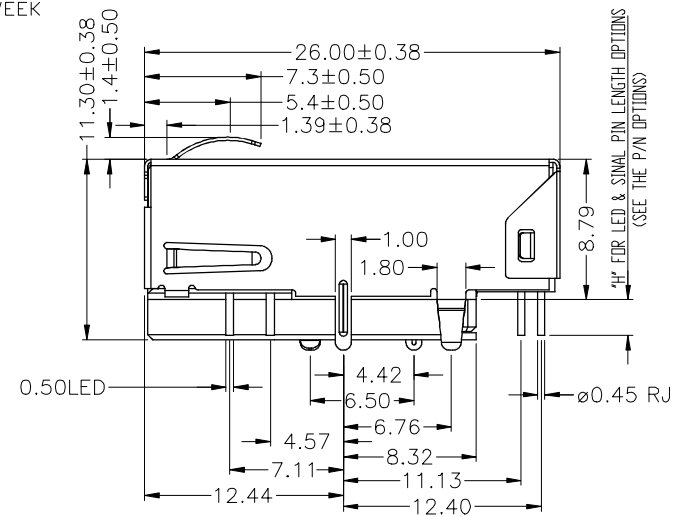
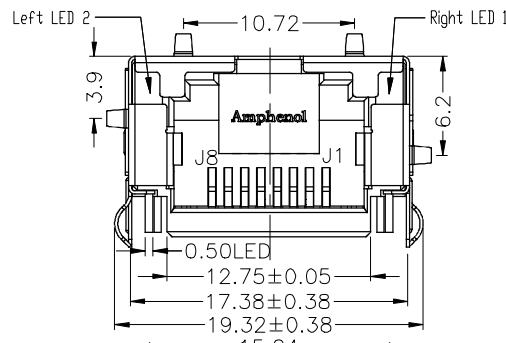
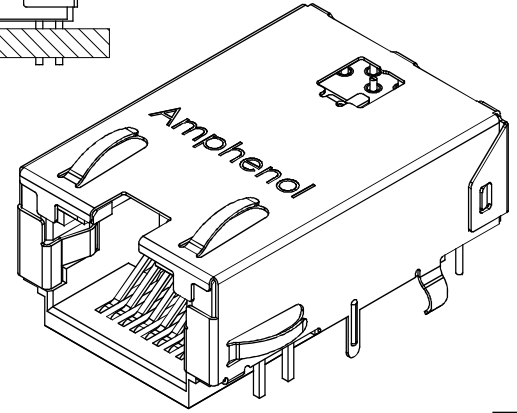
REVISIONS				
SYM	ECN No.	DESCRIPTION	DATE	APPROVED
A	NE-15078	NEW RELEASE	05/28/2015	Roger Tsai
B	NE-16284	CHANGE SCHEMATIC VERSION & ADD NEW P/N & ADD PACKAGING	12/08/2016	Roger Tsai
CX1	/	Increase the size	09/13/2018	Lawrence Chan



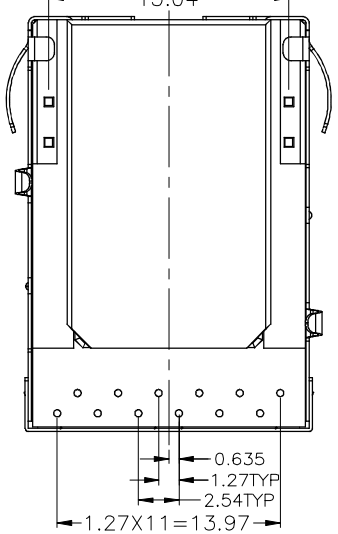
PART NUMBER
DATE CODE
Y=YEAR
W=WEEK
D=DAY OF WEEK



RECOMMENDED PANEL CUTOUT



LED 1 (RIGHT SIDE)	LED 2 (LEFT SIDE)	*H* LENGTH	GOLD PLATING	P/N
GREEN	GREEN	1.80mm	30u"	RJMG2018V16A1ER
GREEN	GREEN/ORANGE	2.25mm	30u"	RJMG2018M16A1ER
GREEN	GREEN/YELLOW	2.25mm	30u"	RJMG2018M14A1ER
GREEN	GREEN	2.25mm	30u"	RJMG2018M11A1ER
GREEN/YELLOW	GREEN/YELLOW	2.25mm	30u"	RJMG2018M44A1ER
GREEN/YELLOW	GREEN	3.18mm	30u"	RJMG2018341A1ER
GREEN	GREEN/YELLOW	3.18mm	30u"	RJMG2018314A1ER
GREEN	GREEN/YELLOW	3.18mm	30u"	RJMG201831PA1ER
GREEN/YELLOW	GREEN/YELLOW	3.18mm	30u"	RJMG2018344A1ER
GREEN	GREEN	3.18mm	30u"	RJMG2018311A1ER



TOLERANCE	APPROVALS	DATE
X.X ±0.35	DRAWN Arvin Ye	09/13/2018
X.XX ±0.25	CHECKED Vivian Wen	09/13/2018
X.XXX ±0.15	APPROVED Lawrence Chan	09/13/2018
ANGULAR ±1°	DWG TYPE CUST DWG	PROJECT CODE GT389
UNLESS OTHERWISE SPECIFIED		

TITLE
RJ45 1X1 GIGABIT SINK TYPE WITH FILTER AND LED

Amphenol®
Amphenol Corporation
Amphenol Taiwan Corporation

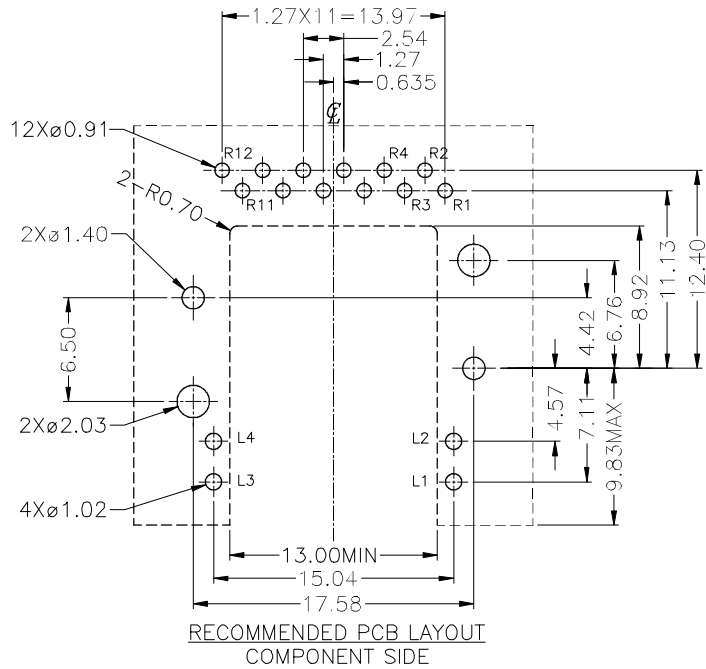
UNIT mm SIZE A3 PART No. RJMG2018XXXA1XR
SCALE NA SHEET 1 OF 5 DWG No. RJMG2018XXXA1XR REV. CX1

This document is the property of Amphenol Corporation and is delivered on the express condition that it is not to be disclosed, reproduced or used, in whole or in part, for manufacture or sale by anyone other than Amphenol Corporation without its prior consent, and that no right is granted to disclose or to use any information in this document.

The marking on this product doesn't contain environmental hazardous materials per Material Specification SS-00259 for Sony GP compliant or per directive 2011/65/EU for RoHS compliant.

CUSTOMER DRAWING

REVISIONS				
SYM	ECN No.	DESCRIPTION	DATE	APPROVED
A	NE-15078	NEW RELEASE	05/28/2015	Roger Tsai
B	NE-16284	CHANGE SCHEMATIC VERSION & ADD NEW P/N & ADD PACKAGING	12/08/2016	Roger Tsai
CX1	/	Increase the size	09/13/2018	Lawrence Chan



ALL DIMENSION TOLERANCE ARE $\pm 0.08\text{mm}$ UNLESS OTHERWISE SPECIFIED

RJMG2018 X X X A1 X R

"H" FOR LED & SIGNAL PIN

LENGTH OPTIONS

V: H=1.80mm

M: H=2.25mm

N: H=2.80mm

3: H=3.18mm

LED1 (RIGHT SIDE) OPTIONS

LED2 (LEFT SIDE) OPTIONS

0: No LED (Blocked Hole)

1: Green

2: Yellow

3: Red

4: Bi-color Green/Yellow

5: Bi-color Red/Green

6: Bi-color Green/Orange

7: Bi-color Red/Yellow

P: Bi-color Green/Amber

Finish & Packaging

0: Gold Flash, Tape & Reel

1: Gold 15 $\mu\text{in.}$, Tape & Reel

2: Gold 30 $\mu\text{in.}$, Tape & Reel

3: Gold 50 $\mu\text{in.}$, Tape & Reel

C: Gold Flash, Tray

D: Gold 15 $\mu\text{in.}$, Tray

E: Gold 30 $\mu\text{in.}$, Tray

F: Gold 50 $\mu\text{in.}$, Tray

MATERIALS:

1. Terminal Parts:

1.1. RJ Terminal : Phosphor Bronze C5210; T=0.30 \pm 0.01mm
Finish: Selective gold (SEE THE P/N) on contact area.
100 μm min. Tin plating on solder tails over 50~100 μm Nickel.

1.2. RJ input Terminal : Phosphor Bronze C5191-3/4H, ϕ 0.45mm
Finish: 100 μm min. Tin over 50~100 μm Nickel.

1.3. Module Terminal : Phosphor Bronze C5191-3/4H, ϕ 0.40mm
Finish: 100 μm min. Tin over 50~100 μm Nickel.

2. Plastic Parts:

2.1. Housing: High temp. Thermoplastic LCP E130i, Black
Flame Class: UL94 V-0

2.2. Coil Case: High temp. Thermoset plastic LCP E130i, Black
Flame Class: UL94 V-0

3. Shell Parts:

3.1. Shell: Stainless Steel SUS304, 1/2H, T=0.20 \pm 0.01 mm
Grounding Leg: Pre-soldering.

OTHERS:

1. Operating Temperature: 0 $^{\circ}\text{C}$ TO +70 $^{\circ}\text{C}$

2. Storage Temperature: -40 $^{\circ}\text{C}$ TO +85 $^{\circ}\text{C}$

3. WAVE SOLDERING TEMPERATURE : 265 DEG.C 10 SEC MAX

4. JACK CAVITY CONFORMS TO FCC RULES AND REGULATIONS
PART 68 , SUBPART F

5. PRODUCT SPECIFICATION REFER TO : PS-924

TEST SUMMARY REFER TO : TR-15-XXX

TOLERANCE	APPROVALS	DATE	TITLE		Amphenol [®]			
X. X.X ± 0.35 X.XX ± 0.25 X.XXX ± 0.15	DRAWN	09/13/2018	RJ45 1X1 GIGABIT SINK TYPE WITH FILTER AND LED		Amphenol Corporation Amphenol Taiwan Corporation			
	CHECKED							
	ANGULAR $\pm 1^{\circ}$	APPROVED	09/13/2018	UNIT mm		SIZE A3	PART No. RJMG2018XXXA1XR	
UNLESS OTHERWISE SPECIFIED	DWG TYPE	PROJECT CODE	SCALE NA		SHEET 2 OF 5	DWG No. RJMG2018XXXA1XR		REV. CX1
	CUST DWG	GT389	6					

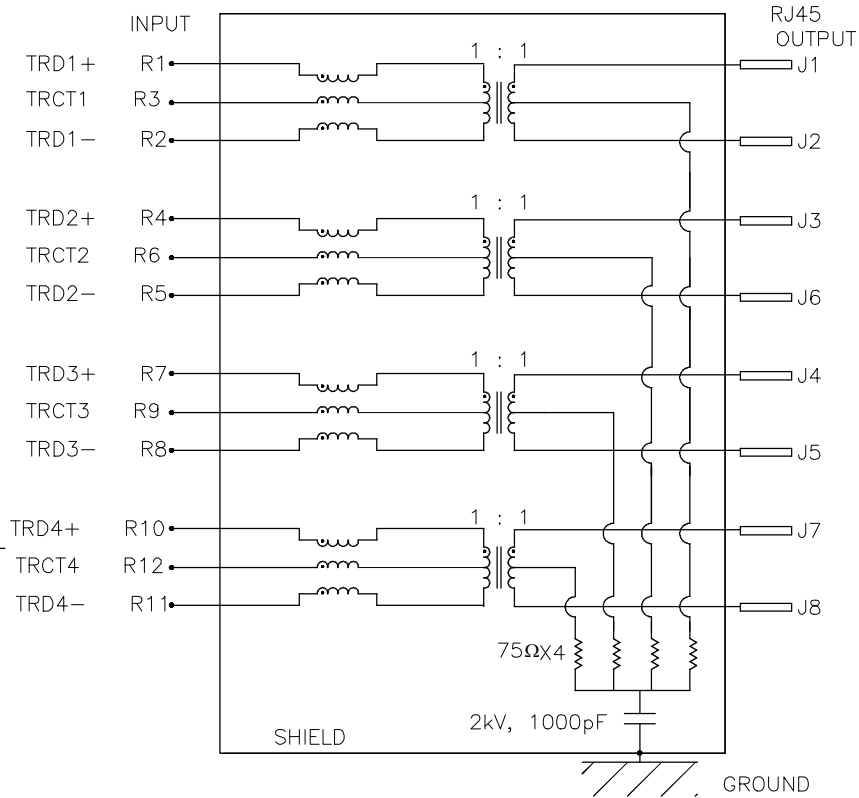
This document is the property of Amphenol Corporation and is delivered on the express condition that it is not to be disclosed, reproduced or used, in whole or in part, for manufacture or sale by anyone other than Amphenol Corporation without its prior consent, and that no right is granted to disclose or to use any information in this document.

The marking on this product doesn't contain environmental hazardous materials per Material Specification SS-00259 for Sony GP compliant or per directive 2011/65/EU for RoHS compliant.

CUSTOMER DRAWING

REVISIONS				
SYM	ECN No.	DESCRIPTION	DATE	APPROVED
A	NE-15078	NEW RELEASE	05/28/2015	Roger Tsai
B	NE-16284	CHANGE SCHEMATIC VERSION & ADD NEW P/N & ADD PACKAGING	12/08/2016	Roger Tsai
CX1	/	Increase the size	09/13/2018	Lawrence Chan

ELECTRONICAL SCHEMATIC VERSION

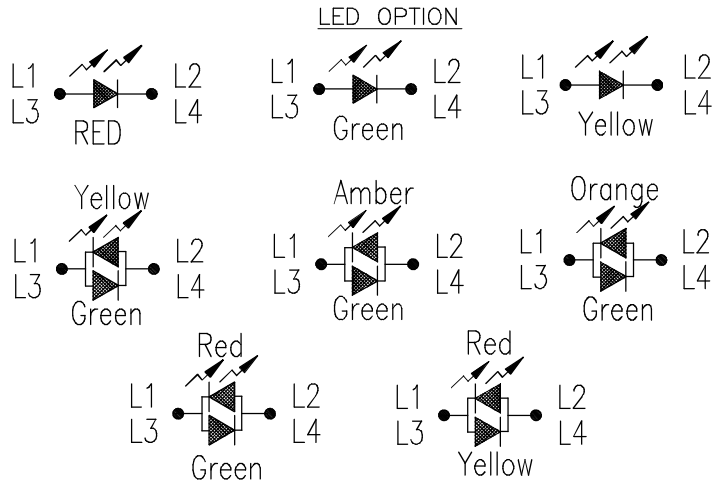


CONNECTOR PERFORMANCE ELECTRICAL SPECIFICATION(@25° C)

PARAMETER	LIMITS (MAX. OR MIN.)	FREQUENCY RANGE/TEST CONDITIONS
INSERTION LOSS (RX/TX)	-1.0dB MAX. -1.2dB MAX.	1-100 MHz 100-125 MHz
RETURN LOSS (RX/TX)	-18dB MIN. -16dB MIN. -12dB MIN. -10dB MIN.	1-30 MHz 30-60 MHz 60-80 MHz 80-100 MHz
CM-CM REJECTION	-30dB MIN.	1-100 MHz
CROSSTALK ISOLATION (RX/TX)	-30dB MIN.	1-100 MHz
HIPOT (ISOLATION)	1.5kVrms MIN.	60S
OCL	350uH MIN.	100KHz 100mV 8mA
TURN RATIO	1:1±5%	

LED PERFORMANCE ELECTRICAL SPECIFICATION(@25° C)

PARAMETER	SINGLE COLOUR		BICOLOUR				UNITS
	GREEN	YELLOW	GREEN	YELLOW	GREEN	ORANGE	
FORWARD CURRENT IF MAX	20	20	20		20		mA
REVERSE CURRENT IR MAX	10	10	10		10		uA
REVERSE VOLTAGE VR MAX	-5	-5	-5		-5		v
T OPERATURE	-20~+80	-20~+80	-20~+80		-20~+80		°C
T SOLDERING	260+/-5	260+/-5	260+/-5		260+/-5		°C
POWER DISS. Pd	75	75	75		75		mW
PEAK WAVELENGTH	565~575	585~595	565~575	585~595	565~575	602~610	nM
FORWARD VOLTAGE TYP	1.85~2.45						V (@IF=20mA)
FORWARD VOLTAGE MAX	2.45						V (@IF=20mA)



TOLERANCE	APPROVALS	DATE	TITLE		PART No.			
X.X ±0.35 X.XX ±0.25 X.XXX ±0.15	DRAWN Arvin Ye	09/13/2018	RJ45 1X1 GIGABIT SINK TYPE WITH FILTER AND LED		RJM2018XXXA1XR			
	CHECKED Vivian Wen	09/13/2018			RJM2018XXXA1XR			
	APPROVED Lawrence Chan	09/13/2018			RJM2018XXXA1XR			
ANGULAR ±1°	DWG TYPE CUST DWG	PROJECT CODE GT389	UNIT mm	SCALE NA	SIZE A3	SHEET 3 OF 5	REV. CX1	
UNLESS OTHERWISE SPECIFIED					Amphenol® Amphenol Corporation Amphenol Taiwan Corporation			

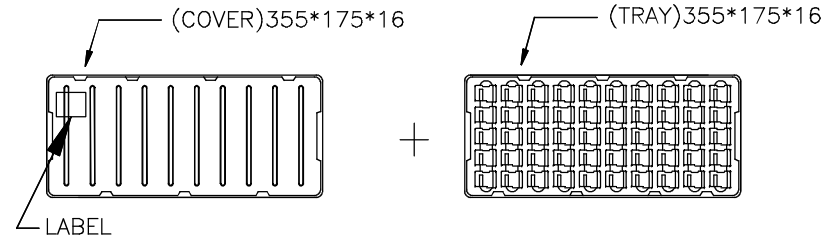
This document is the property of Amphenol Corporation and is delivered on the express condition that it not be disclosed, reproduced or used, in whole or in part, for manufacture or sale by anyone other than Amphenol Corporation without its prior consent, and that no right is granted to disclose or to use any information in this document.

The marking on this product doesn't contain environmental hazardous materials per Material Specification SS-00259 for Sony GP compliant or per directive 2011/65/EU for RoHS compliant.

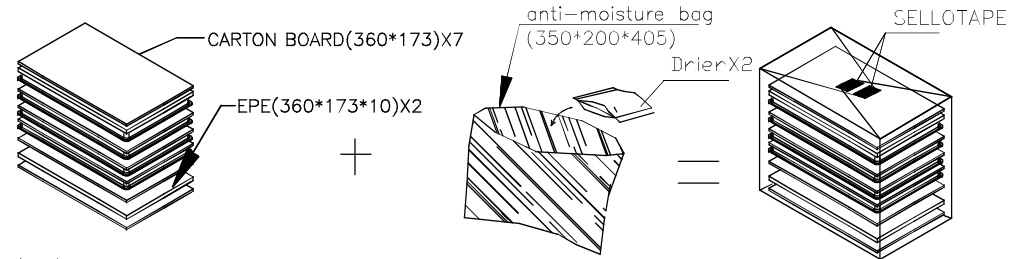
CUSTOMER DRAWING

REVISIONS				
SYM	ECN No.	DESCRIPTION	DATE	APPROVED
A	NE-15078	NEW RELEASE	05/28/2015	Roger Tsai
B	NE-16284	CHANGE SCHEMATIC VERSION & ADD NEW P/N & ADD PACKAGING	12/08/2016	Roger Tsai
CX1	/	Increase the size	09/13/2018	Lawrence Chan

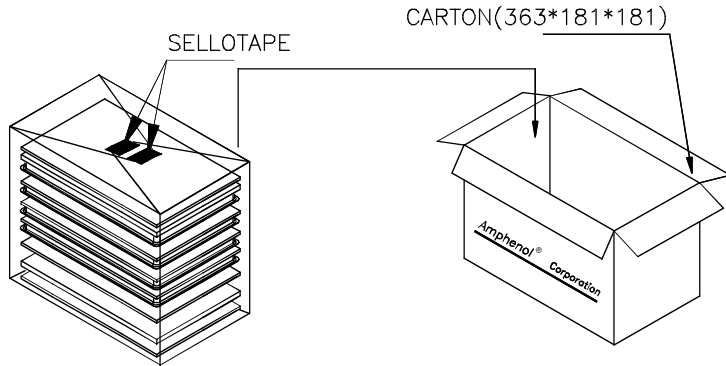
- 1-1.PUT PRODUCT PORT MOUTH DOWN IN TRAY, 45 PCS PRODUCTS PER TRAY, AS SHOWN IN FIGURE BELOW:
 1-2.PUT A COVER ON TRAY AS SHOWN IN THE FIGURE BELOW:



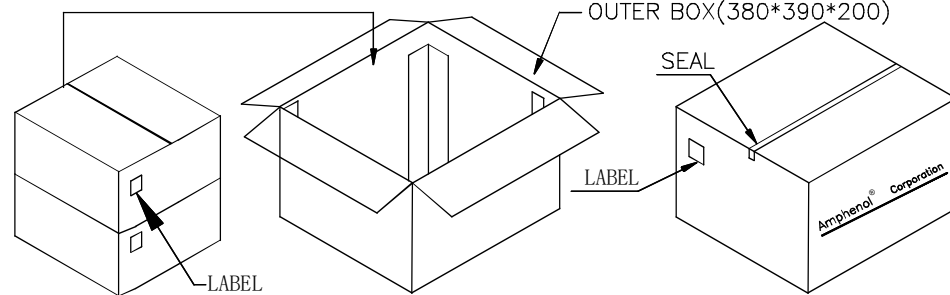
- 2-1.5 TRAYS STACKED TOGETHER, AS SHOWN IN THE FIGURE BELOW:
 THE UNDERLYING PLACED A CARDBOARD, PEARL COTTON PLACED ON A CARDBOARD, STACKED NEATLY 5 TRAYS PRODUCTS PLACED ON BOARD.
 2-2.ABOVE THE STACK PRODUCTS PLACED A PEARL COTTON, AS SHOWN IN THE FIGURE BELOW (PRODUCTS: 225 PCS) :
 2-3.PUT THE STACK PRODUCTS(5 trays) INTO THE WATERPROOF BAG, AND ADD 2 BAGS DRYING AGENT.
 2-4.SEAL WATERPROOF BAG WITH TAPE, AS SHOWN IN THE FIGURE BELOW



- 3-1.PUT WATERPROOF BAG PRODUCTS INTO THE CARTON.



- 4-1.IN THE OUTER CARTON FOUR CORNERS PLACED FOUR TRIANGLE SET, AS SHOWN IN THE FIGURE BELOW:
 4-2.OUTER BOX PLACED WITHIN 2 CARTONS (PRODUCTS: 450 PCS), AS SHOWN IN THE FIGURE BELOW:
 4-3.WITH TAPE SEAL OUTER BOX , AND PASTE LABEL, AS SHOWN IN THE FIGURE BELOW:



P/N	PCS PER TRAY	TRAY PER PRIMARY CARTON	PCS PER PRIMARY CARTON	PCS PER MASTER CARTON
RJMG2018XXXA1XR	45	5	225	450

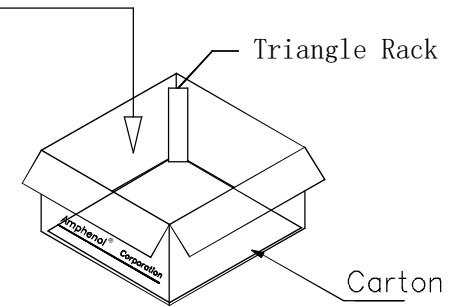
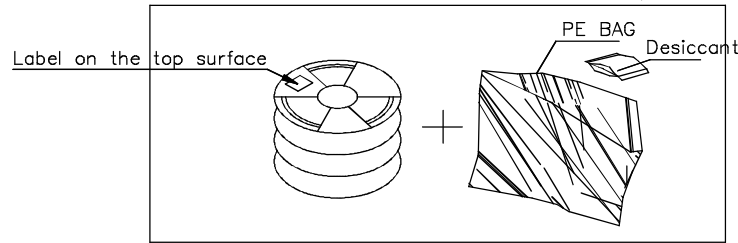
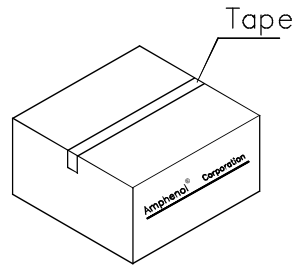
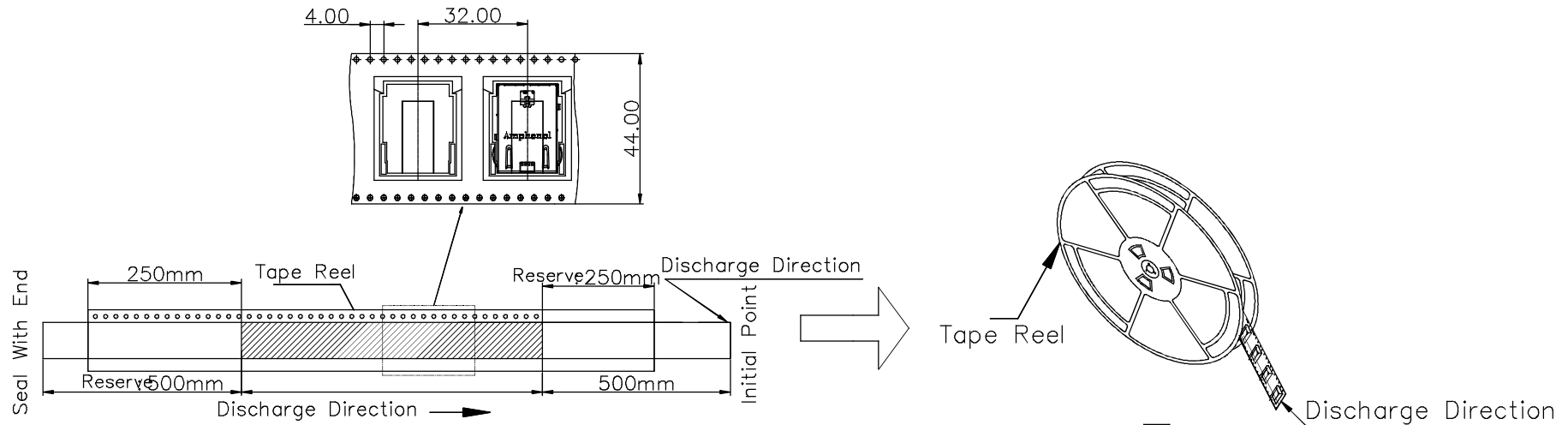
TOLERANCE	APPROVALS	DATE	TITLE		Amphenol®			
X. ±0.35	DRAWN Arvin Ye	09/13/2018	RJ45 1X1 GIGABIT SINK TYPE WITH FILTER AND LED		Amphenol Corporation Amphenol Taiwan Corporation			
X.XX ±0.25	CHECKED Vivian Wen	09/13/2018						
X.XXX ±0.15	APPROVED Lawrence Chan	09/13/2018	PART No.		RJMG2018XXXA1XR			
ANGULAR ±1°	DWG TYPE CUST DWG	PROJECT CODE GT389	UNIT mm	SIZE A3	DWG No.			
UNLESS OTHERWISE SPECIFIED			SCALE NA	SHEET 4 OF 5	RJMG2018XXXA1XR			
					REV. CX1			

This document is the property of Amphenol Corporation and is delivered on the express condition that it is not to be disclosed, reproduced or used, in whole or in part, for manufacture or sale by anyone other than Amphenol Corporation without its prior consent, and that no right is granted to disclose or to use any information in this document.

The marking on this product doesn't contain environmental hazardous materials per Material Specification SS-00259 for Sony GP compliant or per directive 2011/65/EU for RoHS compliant.

CUSTOMER DRAWING

REVISIONS				
SYM	ECN No.	DESCRIPTION	DATE	APPROVED
A	NE-15078	NEW RELEASE	05/28/2015	Roger Tsai
B	NE-16284	CHANGE SCHEMATIC VERSION & ADD NEW P/N & ADD PACKAGING	12/08/2016	Roger Tsai
CX1	/	Increase the size	09/13/2018	Lawrence Chan



P/N	TRAY PER PRIMARY CARTON	PARTS PER REEL	PCS PER MASTER CARTON
RJMG2018XXXA1XR	5	100	500

TOLERANCE	APPROVALS	DATE
X. ±0.35	DRAWN Arvin Ye	09/13/2018
X.X ±0.25	CHECKED Vivian Wen	09/13/2018
X.XX ±0.15	APPROVED Lawrence Chan	09/13/2018
ANGULAR ±1°	DWG TYPE CUST DWG	PROJECT CODE GT389
UNLESS OTHERWISE SPECIFIED		

TITLE		
RJ45 1X1 GIGABIT SINK TYPE WITH FILTER AND LED		
UNIT mm	SIZE A3	PART No. RJMG2018XXXA1XR
SCALE NA	SHEET 5 OF 5	DWG No. RJMG2018XXXA1XR
		REV. CX1

Amphenol®	
Amphenol Corporation Amphenol Taiwan Corporation	
PART No. RJMG2018XXXA1XR	
DWG No. RJMG2018XXXA1XR	
REV. CX1	