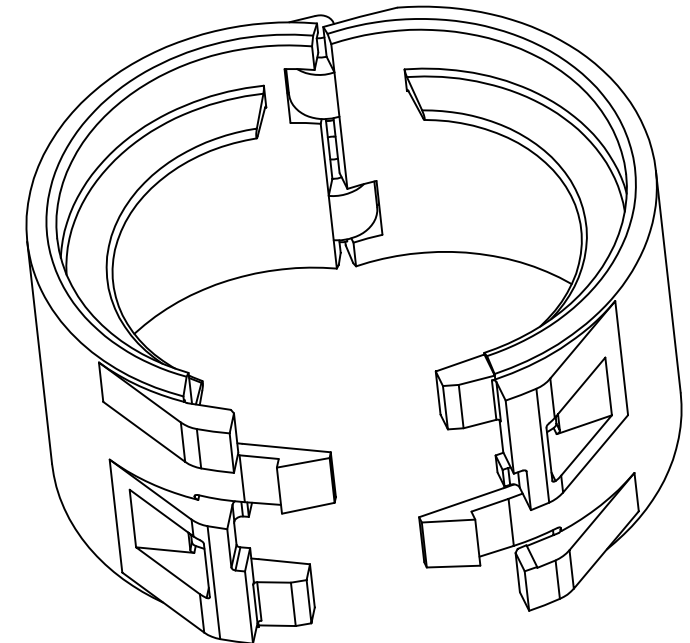
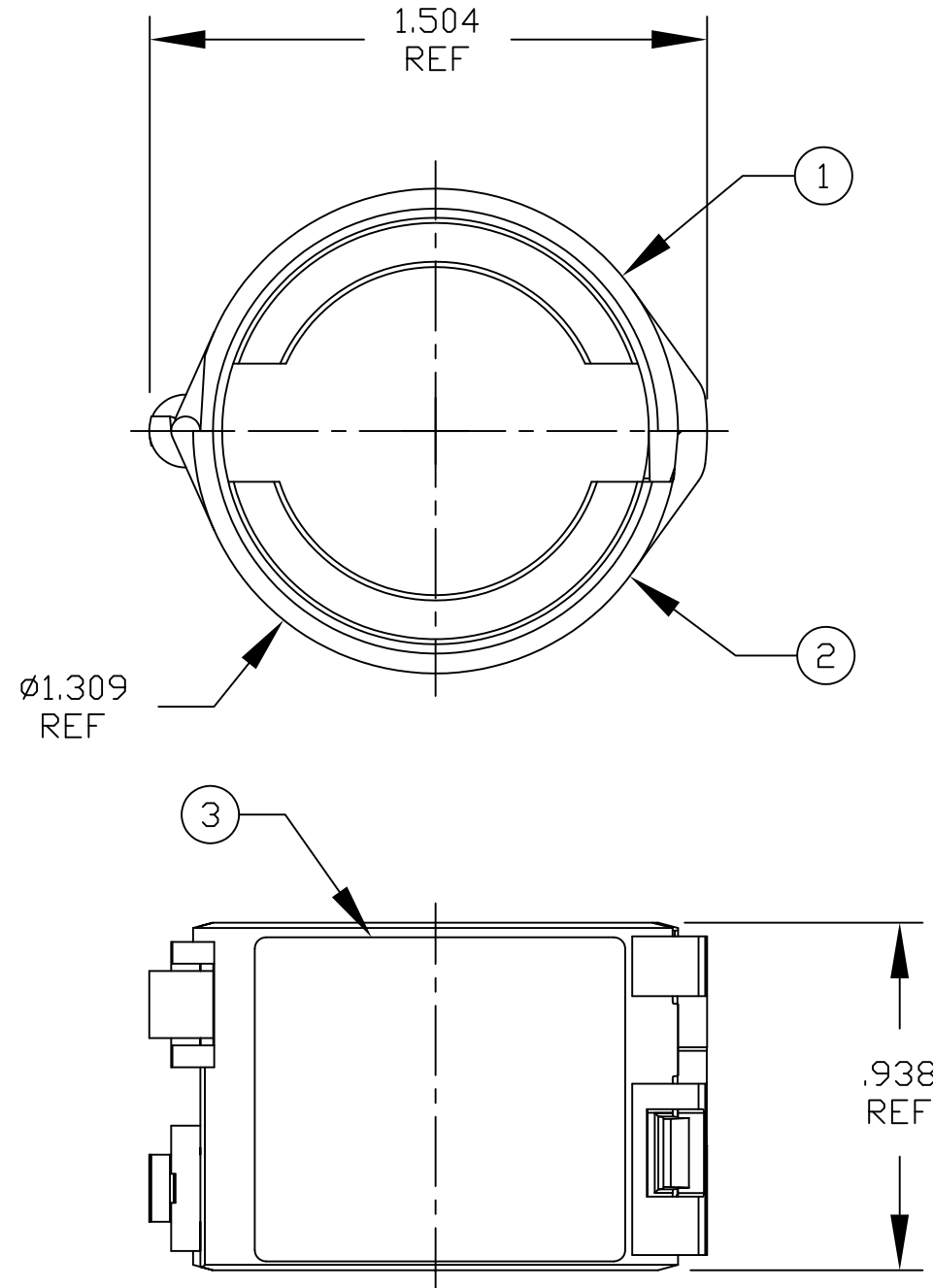


PART NUMBER	ENGINEERING NUMBER
1300700012	11400A-10



NOTE:

- SPECIFICATIONS:
MC LOCKING CLIP
TEMPERATURE RANGE: -20°C TO 90°C
- PACKAGING:
ASSEMBLIES ARE BAGGED 10 PER POLY BAGS WITH BAR CODE LABEL ATTACHED TO THE OUTSIDE OF THE BAG.
- ASSEMBLY IS RoHS COMPLIANT

ITEM	QTY	DESCRIPTION	MATERIAL	FINISH
3	1	WARNING LABEL	POLYESTER	BLACK/YELLOW
2	1	MC LOCKING CLIP BOTTOM	ABS/PC	BLACK
1	1	MC LOCKING CLIP TOP	ABS/PC	BLACK

INITIAL RELEASE EC NO: WNA2010-0439 DRWN: KJOZWIK 2010/01/18 CHKD: BWOODMAN APPR: JFMURPHY 2010/01/20	DESCRIPTION REV	QUALITY SYMBOLS ▽=0 ◻=0	GENERAL TOLERANCES (UNLESS SPECIFIED)			DIMENSION STYLE IN		SCALE 2:1	DESIGN UNITS INCH	THIRD ANGLE PROJECTION			
						mm	INCH	DRAWN BY: KJOZWIK DATE: 2010/01/18		TITLE BRAD POWER MC LOCKING CLIP			
						4 PLACES	±---	±---	CHECKED BY: BWOODMAN DATE: 2010/01/18		MOLEX INCORPORATED DOCUMENT NO. SD-130070-002 SHEET NO. 1 OF 1		
						3 PLACES	±---	±.005	APPROVED BY: JFMURPHY DATE: 2010/01/20				
			2 PLACES	±0.13	±.010	MATERIAL NO. SEE TABLE							
			1 PLACE	±0.25	±.020	SIZE B		THIS DRAWING CONTAINS INFORMATION THAT IS PROPRIETARY TO MOLEX INCORPORATED AND SHOULD NOT BE USED WITHOUT WRITTEN PERMISSION					
			ANGULAR ±1/2°			DRAFT WHERE APPLICABLE MUST REMAIN WITHIN DIMENSIONS							