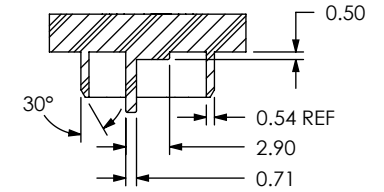
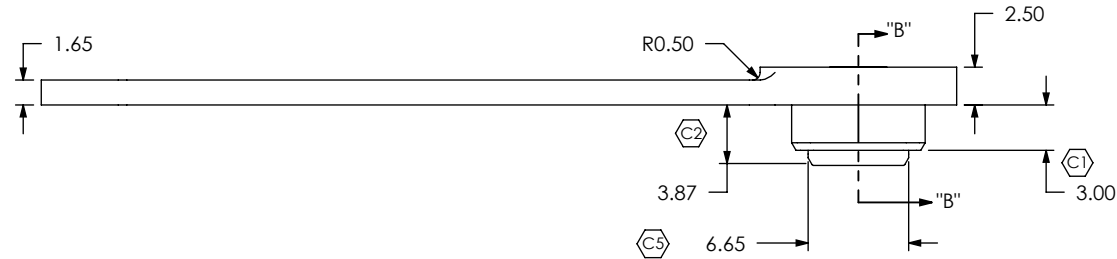
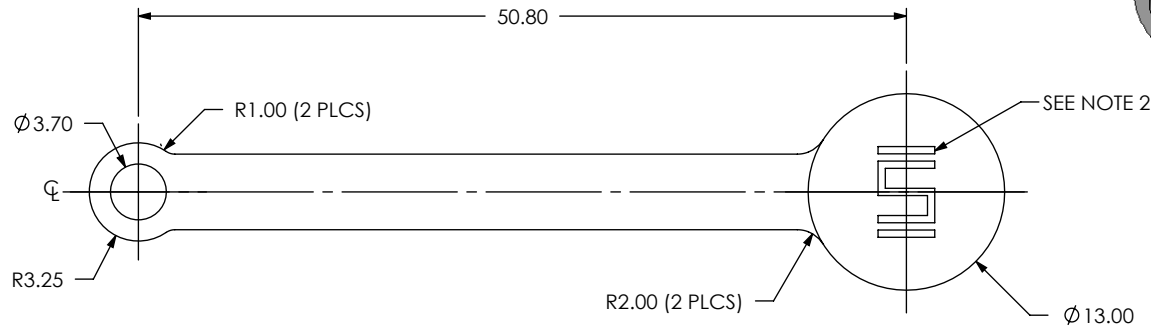
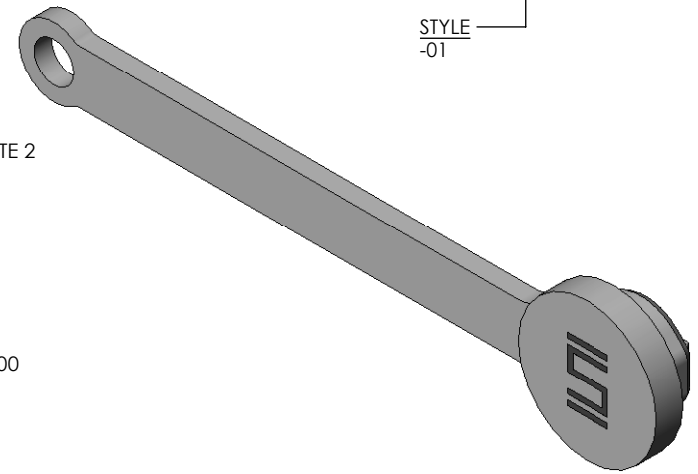


DO NOT SCALE FROM THIS PRINT

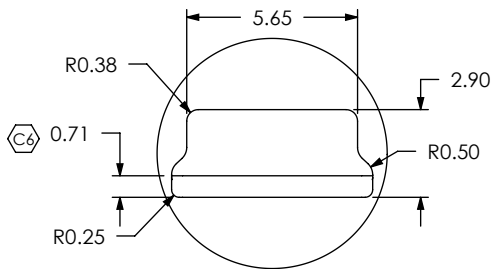
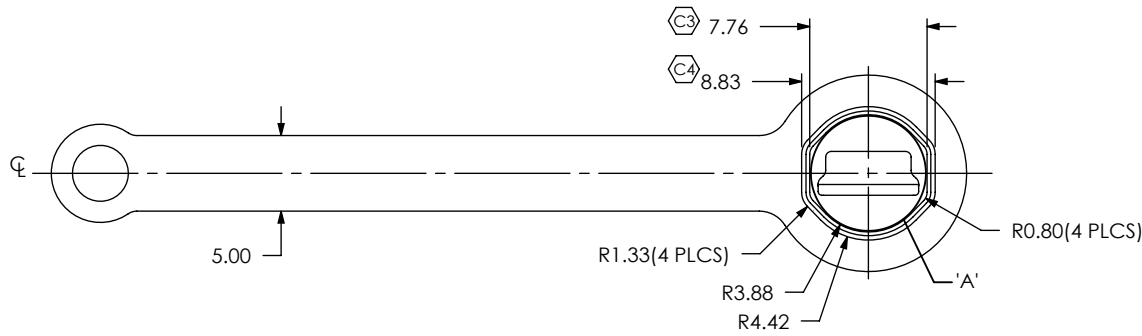
DESIGNED & DIMENSIONED IN MILLIMETERS

A DCA-SPM-XX

STYLE -01



SECTION "B"- "B"



DETAIL 'A' SCALE 4 : 1

FIG. 1 DCA-SPM-0T SHOWN

NOTES:

1. Ⓢ REPRESENTS A CRITICAL DIMENSION.
2. SAMTEC LOGO SHALL APPEAR AT LOCATIONS ON SURFACE SHOWN, APPROXIMATELY 6.00 x 3.75.
3. ALL MULTIPLE CAVITY MOLDS SHALL IDENTIFY EACH CAVITY WITH A NUMBER DESIGNATION LOCATED WHERE SHOWN.
4. ALL IDENTIFICATION MARKS MUST NOT STAND GREATER THAN 0.05 OFF THE SURFACE OF THE PART.
5. MOLDED SURFACES SHALL BE CONSISTENT AND SMOOTH. SURFACES TO BE FREE OF SCRATCHES, NICKS, SINK AREAS, VOIDS OR OTHER BLEMISHES.

UNLESS OTHERWISE SPECIFIED, DIMENSIONS ARE IN MILLIMETERS. TOLERANCES ARE:  
 DECIMALS ANGLES  
 X.X: ±0.3 2°  
 X.XX: ±0.13  
 X.XXX: ±0.051

PROPRIETARY NOTE

THIS DOCUMENT CONTAINS INFORMATION CONFIDENTIAL AND PROPRIETARY TO SAMTEC, INC. AND SHALL NOT BE REPRODUCED OR TRANSFERRED TO OTHER DOCUMENTS OR DISCLOSED TO OTHERS OR USED FOR ANY PURPOSE OTHER THAN THAT WHICH IT WAS OBTAINED WITHOUT THE EXPRESSED WRITTEN CONSENT OF SAMTEC, INC.



520 PARK EAST BLVD, NEW ALBANY, IN 47150  
 PHONE: 812-944-6733 FAX: 812-948-5047  
 e-Mail: info@SAMTEC.com code: 55322

MATERIAL: DO NOT SCALE DRAWING SHEET SCALE: 2:1  
 40A DUROMETER SILICONE  
 MAX REGRIND: 20%  
 MAX FLASH ALLOWED: 0.05  
 MAX GATE VESTIGE: 0.05

DESCRIPTION: DUST CAP FOR SPM

DWG. NO. A DCA-SPM-XX

BY: T NEWTON 08/04/2009 SHEET 1 OF 1