

Switching Diode

Features

- Fast switching speed
- Electrically indential to standard JEDEC
- High Conductance
- Axial lead package ideally suited for automatic insertion



DO-35

Mechanical Data

- Case: Molded Glass DO-35
- Terminals: Solderable per MIL-STD-202E, Method 208
- Polarity: Color band denotes cathode
- Mounting position: Any
- Approx. Weight: approx. 0.13 gram



Maximum Ratings and Electrical Characteristics $T_A=25^{\circ}\text{C}$ unless otherwise specified

Symbol	Parameters		1N914	1N914A	1N914B	Unit	Condition
V_R	Reverse Voltage		75			V	
V_{RM}	Peak Reverse Voltage		100			V	
V_{RMS}	RMS Voltage		50			V	
I_{AV}	Maximum Average Forward Current		150			mA	at $f \geq 50\text{Hz}$
I_{FSM}	Surge Forward Current		500			mA	at $t_p < 1\text{s}$
P_{TOT}	Power Dissipation		500			mW	
V_F	Maximum Forward Voltage	Min	---	---	0.62 @ 5mA	V	
		Max	1.0 @ 10mA	1.0 @ 20mA	0.72 @ 5mA		
					1.0 @ 100mA		
I_R	Maximum Leakage Current		25			nA	at $V_R = 20\text{V}$
			5.0			μA	at $V_R = 75\text{V}$
C_J	Maximum Capacitance (Note 1)		4			pF	$V_R=0, f=1\text{MHz}$
T_{RR}	Maximum Reverse Recovery Time		4			ns	$I_F=10\text{mA}$ to $I_R=1\text{mA}$, $V_R=6\text{V}$, $R_L=100\Omega$
T_J, T_{STG}	Junction and Storage Temperature Range		-65 to +175			$^{\circ}\text{C}$	

Ratings and Characteristics Curves

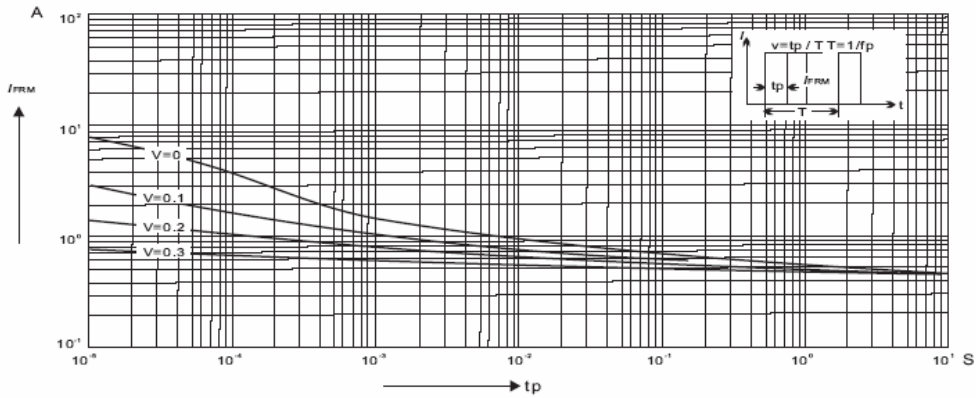


Fig.1 ADMISSIBLE REPETITIVE PEAK FORWARD CURRENT VERSUS PULSE DURATION

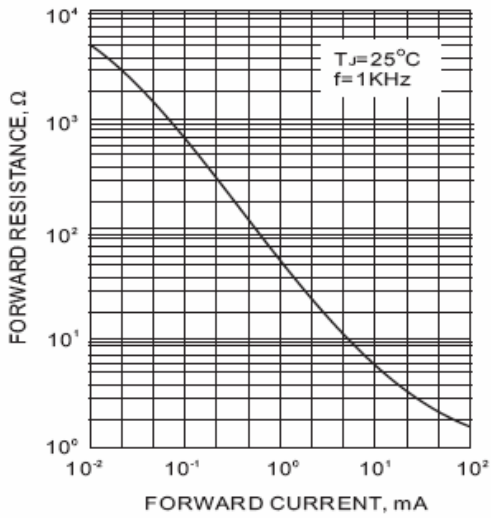


Fig.2 DYNAMIC FORWARD RESISTANCE VS FORWARD CURRENT

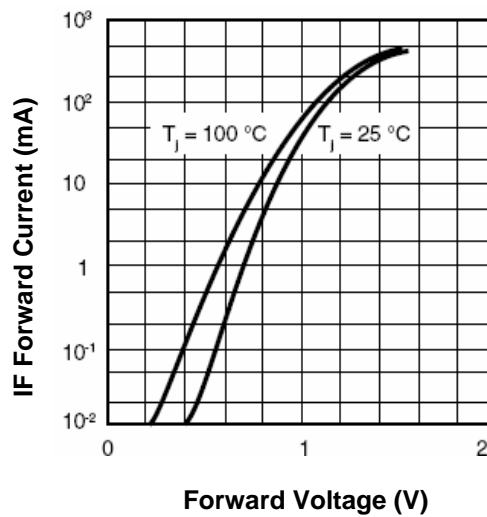


Fig.3 FORWARD CHARACTERISTICS

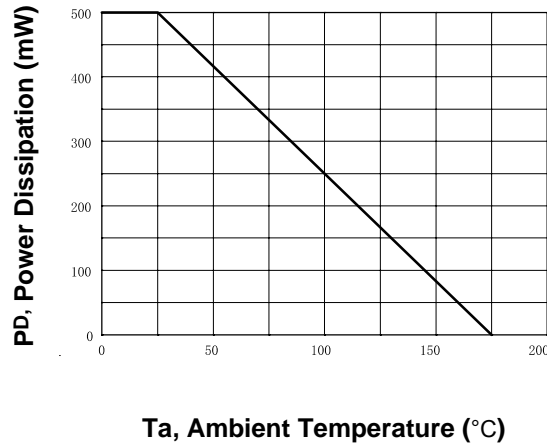
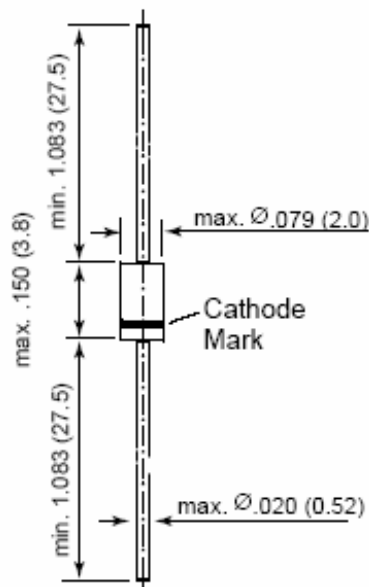


Fig.4 DERATING CURVE

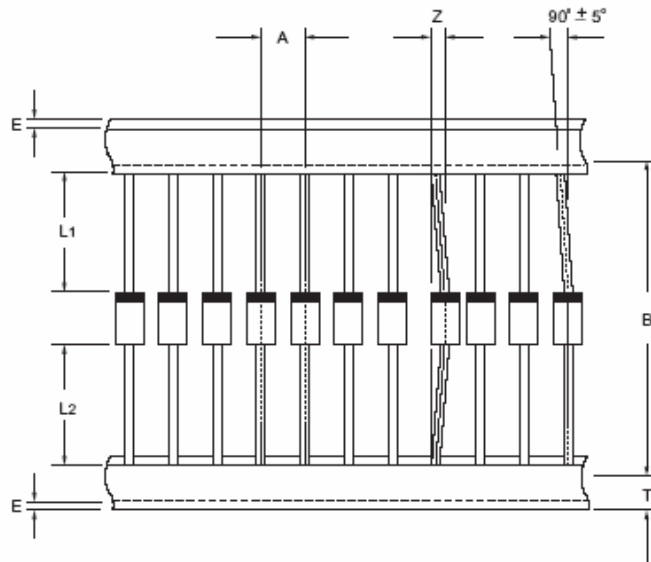
Dimensions in inch (mm)



DO-35

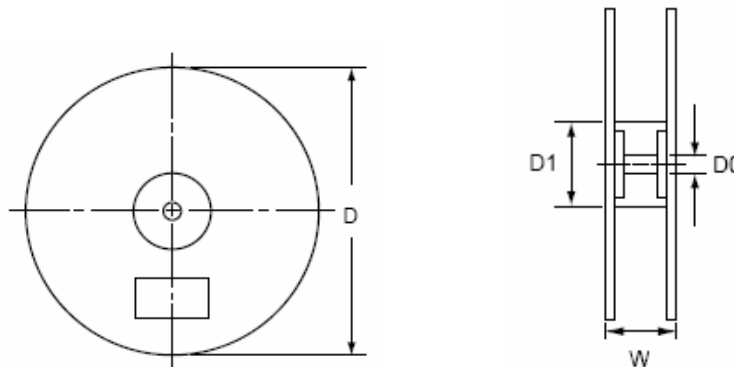
Packing Information

Taping Information (in mm)



Components Outline	A	B	L1,L2	T	E	Z
DO-35	5±0.5	52±1	Max.1.0	6±0.4	Max.0.8	Max.1.2

Reel Dimensions (in mm)



D	D0	D1	W
360	16.6	85.7	77

Packing Quantity Information:

Quantity	PCS per Inner Box	PCS per Carton
14' Tape & Reel (TR40)	10000/Reel	50000
Bulk (BL)	2000	120000

Carton Size Information:

Carton Size (in mm)	
TR40	360X360X395
BL	406X335X257

How to contact us:**US HEADQUARTERS**

28040 WEST HARRISON PARKWAY, VALENCIA, CA 91355-4162

Tel: (800) TAITRON (800) 824-8766 (661) 257-6060

Fax: (800) TAITFAX (800) 824-8329 (661) 257-6415

Email: taitron@taitroncomponents.comHttp://www.taitroncomponents.com**TAITRON COMPONENTS MEXICO, S.A .DE C.V.**BOULEVARD CENTRAL 5000 INTERIOR 5 PARQUE INDUSTRIAL ATITALAQUIA, HIDALGO C.P.
42970 MEXICO

Tel: +52-55-5560-1519

Fax: +52-55-5560-2190

TAITRON COMPONETS INCORPORATED E REPRESENTAÇÕES DO BRASIL LTDARUA DOMINGOS DE MORAIS, 2777, 2.ANDAR, SALA 24 SAÚDE - SÃO PAULO-SP 04035-001
BRAZIL

Tel: +55-11-5574-7949

Fax: +55-11-5572-0052

TAITRON COMPONETS INCORPORATED, SHANGHAI REPRESENTATIVE OFFICE

METROBANK PLAZA, 1160 WEST YAN' AN ROAD, SUITE 1503, SHANGHAI, 200052, CHINA

Tel: +86-21-5424-9942

Fax: +86-21-5424-9931