



ALL RIGHTS RESERVED. NO PORTION OF THIS PUBLICATION, WHETHER IN WHOLE OR IN PART CAN BE REPRODUCED WITHOUT THE EXPRESS WRITTEN CONSENT OF SPC TECHNOLOGY.

SPC-F005.DWG

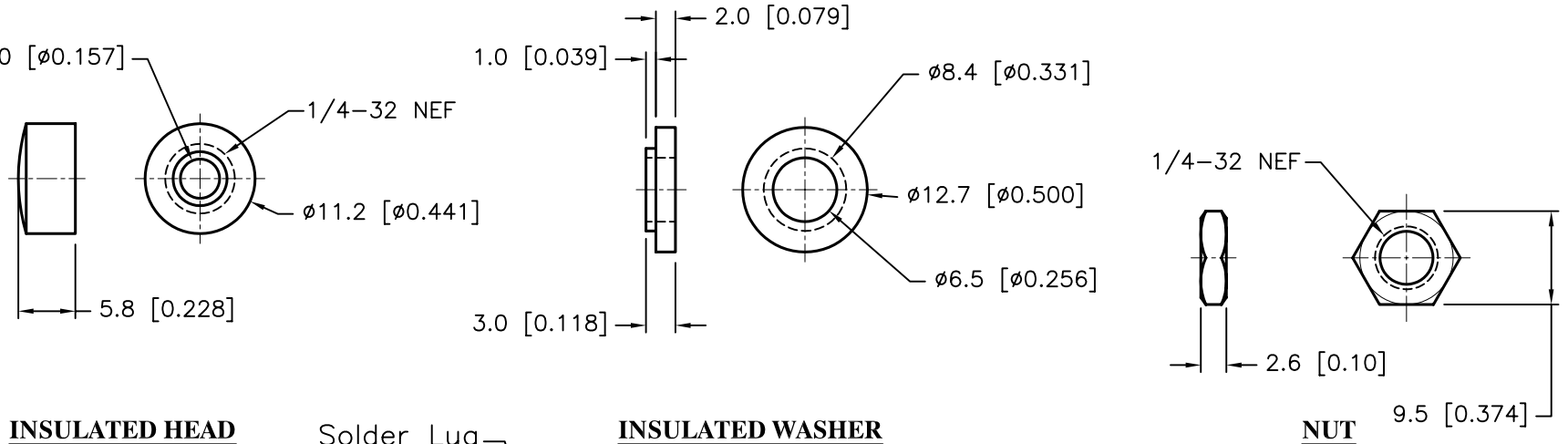
REVISIONS

DOC. NO. SPC-F005 * Effective: 7/8/02 * DCP No: 1398

DCP #	REV	DESCRIPTION	DRAWN	DATE	CHECKD	DATE	APPRVD	DATE
1876	A	RELEASED	EO	05/23/06	TL	05/25/06	HO	05/25/06
1921	B	Update Specification	YA	8/7/06	HO	8/7/06	HO	8/7/06



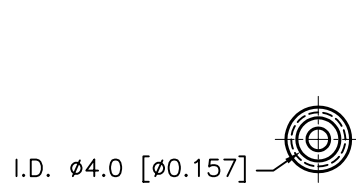
RoHS Compliant $\phi 4.0$ [$\phi 0.157$]



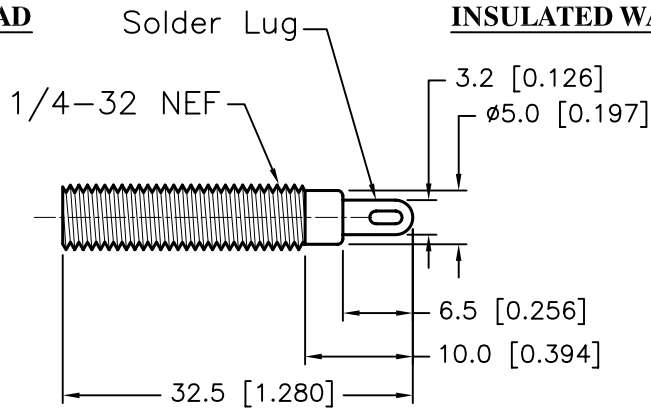
INSULATED HEAD

INSULATED WASHER

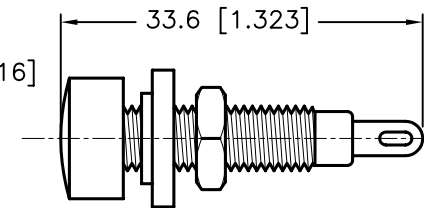
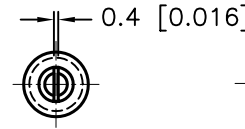
NUT



I.D. $\phi 4.0$ [$\phi 0.157$]



THREADED BODY



ASSEMBLY

SPC PART No.	COLOR
SPC15338	RED
SPC15357	BLACK
SPC15179	GREEN
SPC15194	YELLOW

SPECIFICATION:

1. Threaded Body: Brass, Nickel-Plated
2. Insulated Head: ABS (Max. Heat Deflection Temperature: 89°C)
3. Insulated Washer: ABS
4. Solder Lug: Phosphor Bronze
5. Nut: Brass, Nickel-Plated

DISCLAIMER: ALL STATEMENTS AND TECHNICAL INFORMATION CONTAINED HEREIN ARE BASED UPON INFORMATION AND/OR TESTS WE BELIEVE TO BE ACCURATE AND RELIABLE. SINCE CONDITIONS OF USE ARE BEYOND OUR CONTROL, THE USER SHALL DETERMINE THE SUITABILITY OF THE PRODUCT FOR THE INTENDED USE AND ASSUME ALL RISK AND LIABILITY WHATSOEVER IN CONNECTION THEREWITH.

TOLERANCES:

Unless Otherwise Specified
 .X ± 0.2 [0.008]
 .XX ± 0.12 [0.005]

DRAWN BY:	DATE:
EKLAS ODISH	05/23/06
CHECKED BY:	DATE:
THOMAS LEE	05/25/06
APPROVED BY:	DATE:
HISHAM ODISH	05/25/06

DRAWING TITLE: COMBINATION INSULATED JACK, RoHS COMPLIANT			
SIZE	DWG. NO.	ELECTRONIC FILE	REV
A	TA-713	TA-713.DWG	B
SCALE: NTS	U.O.M.: mm [INCHES]	SHEET: 1 OF 1	