

产品规格书

PRODUCT SPECIFICATION SHEET

物料名称

APPELLATION:

10G BASE-T TRANSFORMER

产品型号

MODE:

TG2481S

客户料号

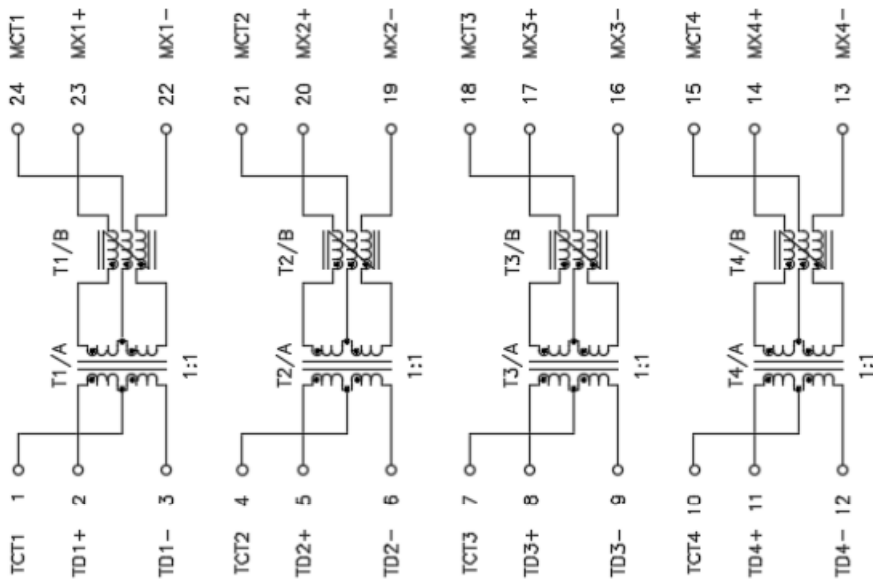
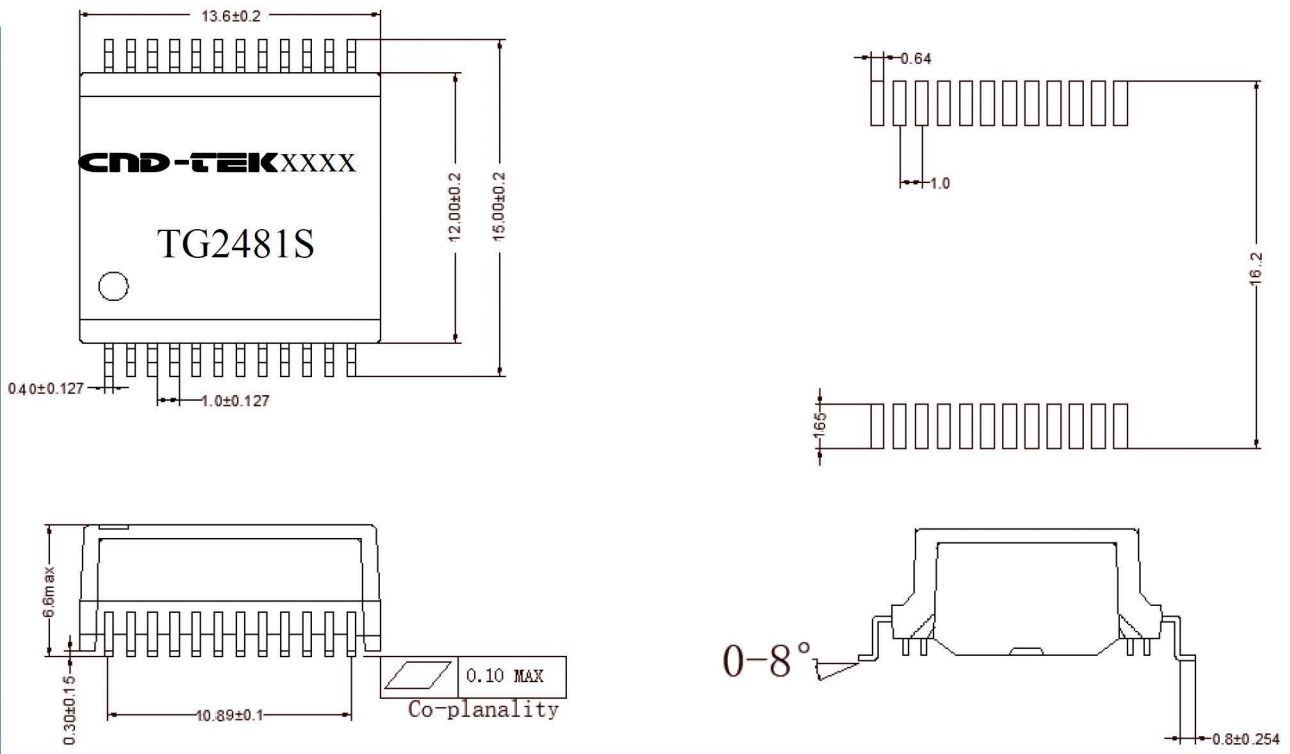
No.:

生 产 方	工艺审核	品质审核	项目审核	开发审核
	TECHNICAL	QUALITY	PROJECT	DEVELOPING
	Wangshengli	wangxue	wangchunxia	Wangshengli

客 户 方	材料工程师	设计工程师	主管审批	研发体系
	Materials Engineer	Engineer	Approval	R & D System



1. DIMENSIONS & SCHEMATICS:



DRAWN BY:	CHECKED BY:	APPROVED BY:	CUSTOMER:
wangshengli	wangshengli	wangchunxia	PART NO. : TG2481S

ELECTRICAL SPECIFICATIONS @25°C

Inductance OCL:	120μH Min @ 100KHz 0.1V 8mA DC Bias	
Leakage Inductance:	0.50μH Max @ 100KHz 0.1V	
Interwinding Capacitance:	30pF Typ @ 100KHz 0.1V	
DC Resistance:	0.9ΩMax	
Turns Ratio:	1CT:1CT±3%	
Polarity:	1-24,4-21,7-18,10-15, In-Phase	
Insertion Loss:	1-100 MHz	-1.0dB Max
	100-250 MHz	-2.0dB Max
	250-500 MHz	-3.0dB Max
Return Loss	1-100MHz	-15dB Min
	100-250MHz	-13dB Min
	250-500MHz	-10dB Min
Cross Talk:	1-500MHz	-25dB Min
CMRR:	1-500MHz	-25dB Min
Isolation HI-POT:	1500VAC 1mA 60S or 1650VAC 1mA 6S	
Operating Temperature:	-40°C TO +85°C	
Product Type:	Green Product	

3. Recommended Reflow Soldering Curve:

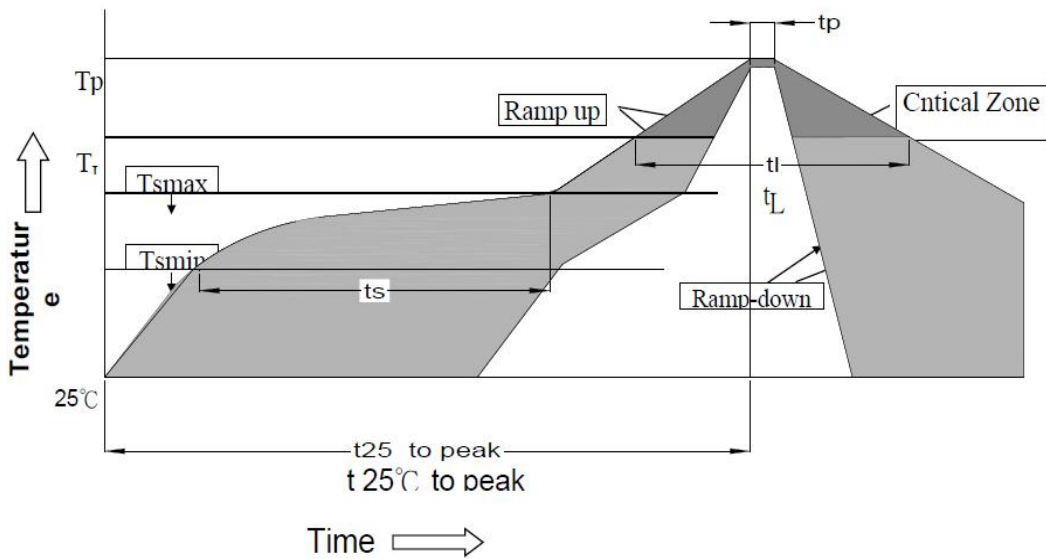
TL = 217°C
 Tp = 245°C
 ts=60-180s Ts max=200°C Ts min=150°C
 tL=60-150s tp=20-40s T25°C to peak=8min max
 Ramp up rate=3°C/s max Ramp
 down rate=6°C/s max

*ROHS Compliant
 *Solder wire SAC 305 Sn 96.5/Ag 3.0/Cu 0.5

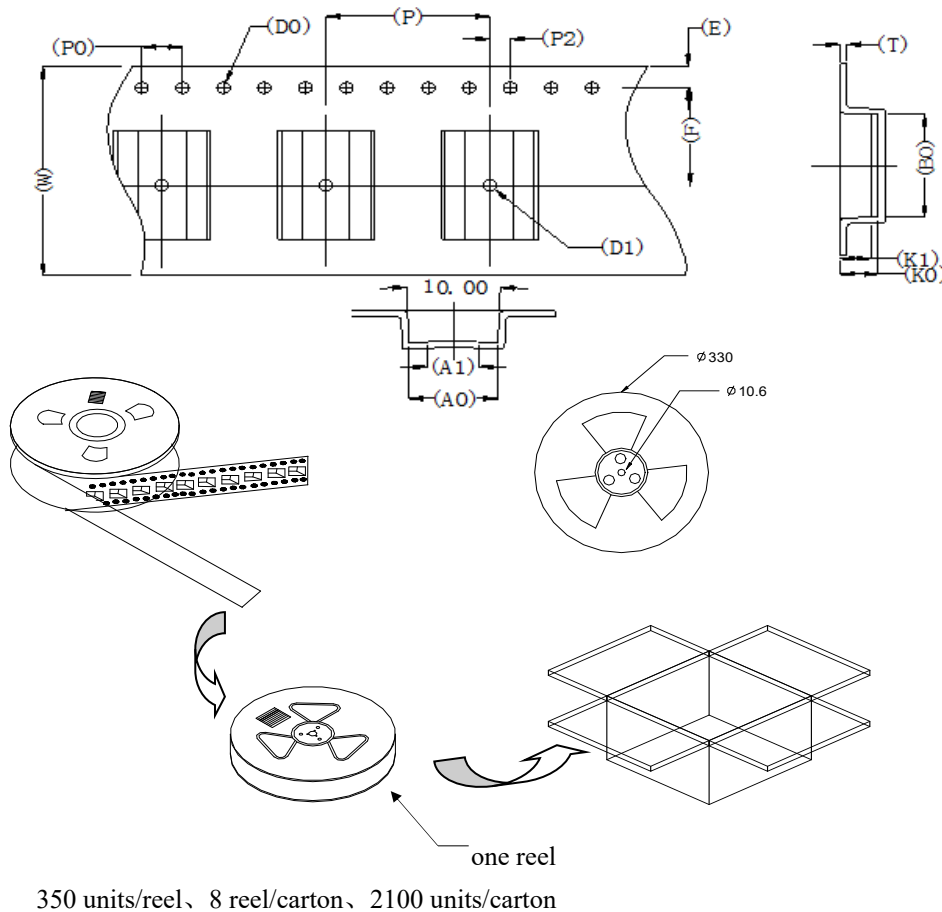
Moisture Sensitive Level:
 Level: 1
 Floor Life: Unlimited
 Storage Condition: ≦ 85°C/85% RH

DRAWN BY:	CHECKED BY:	APPROVED BY:	CUSTOMER:
wangshengli	wangshengli	wangchunxia	PART NO. : TG2481S

3. Recommended Reflow Soldering Curve:



3. Package Information:



DRAWN BY:	CHECKED BY:	APPROVED BY:	CUSTOMER:
wangshengli	wangshengli	wangchunxia	PART NO. : TG2481S
 			REV. : A
			PAGE: 4 of 4