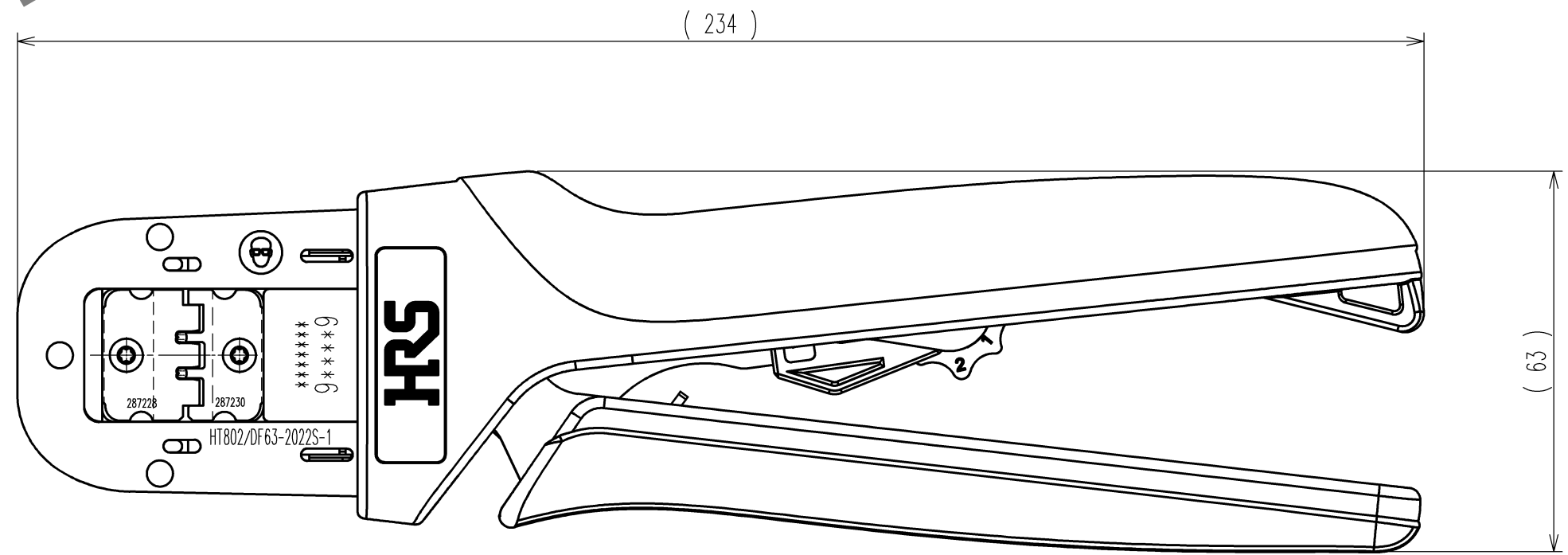
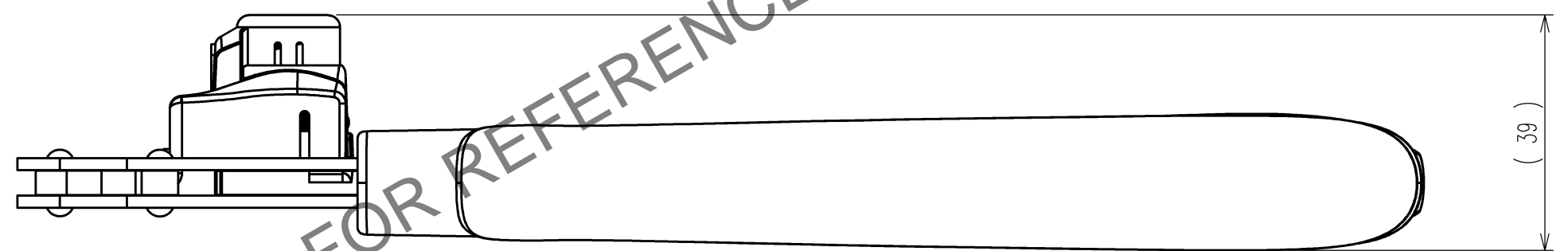


In case of consideration for using Automotive equipment / device which demand high reliability, kindly contact our sales window

HRS DRAWING FOR REFERENCE

COUNT	DESCRIPTION OF REVISIONS	BY	CHKD	DATE	COUNT	DESCRIPTION OF REVISIONS	BY	CHKD	DATE
△				..	△				..
△				..	△				..
△				..	△				..



Notes : Contact of DF63-2022SC(CL680-0549-0) is assembled for this tool.

NO.	MATERIAL	FINISH, REMARKS	NO.	MATERIAL	FINISH, REMARKS
2			4		
1			3		

CODE NO. (OLD) CL	DRAWN K.SUGIBUCHI 16.4.1	DESIGNED K.SUGIBUCHI 16.4.1	CHECKED S.OIZUMI 16.4.4	APPROVED T.ITO 16.4.4	RELEASED
----------------------	--------------------------------	-----------------------------------	-------------------------------	-----------------------------	----------

SCALE 1 : 1	DRAWING NO. EDC-285219-00	PART NO. HT802/DF63-2022S-1
UNITS mm	<b>HRS</b> HIROSE ELECTRIC CO., LTD	CODE NO. CL550-0432-0

TO
PE