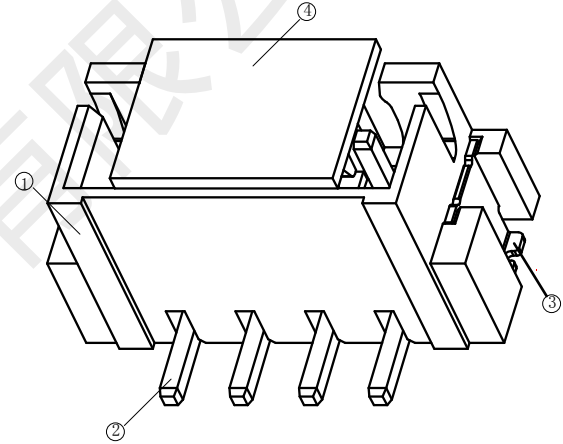
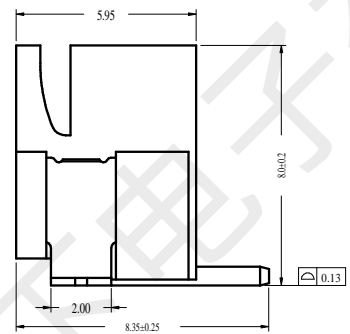
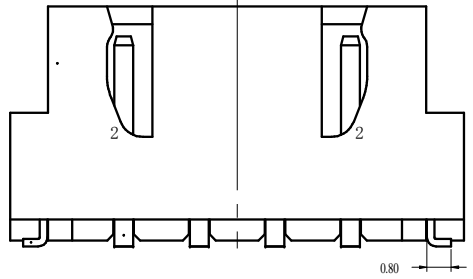
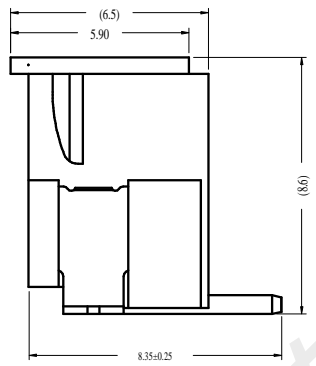
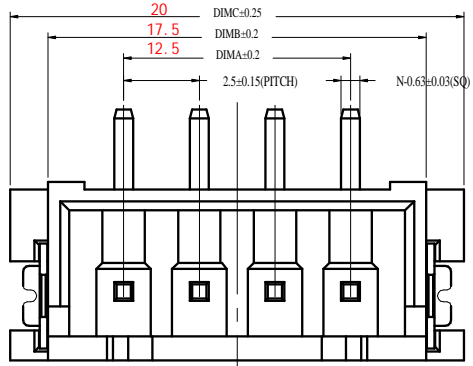
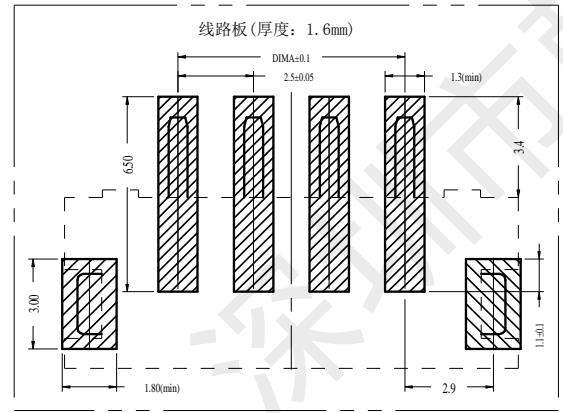


| REV. | EC# | DESCRIPTION | DATE       | DRAWN | CHECK | APPROVED |
|------|-----|-------------|------------|-------|-------|----------|
| 1.00 |     | 初版发行        | 2020-05-22 |       |       |          |



|     |       |       |       |
|-----|-------|-------|-------|
| 15  | 35.00 | 40.00 | 42.50 |
| 14  | 32.50 | 37.50 | 40.00 |
| 13  | 30.00 | 35.00 | 37.50 |
| 12  | 27.50 | 32.50 | 35.00 |
| 11  | 25.00 | 30.00 | 32.50 |
| 10  | 22.50 | 27.50 | 30.00 |
| 9   | 20.00 | 25.00 | 27.50 |
| 8   | 17.50 | 22.50 | 25.00 |
| 7   | 15.00 | 20.00 | 22.50 |
| 6   | 12.50 | 17.50 | 20.00 |
| 5   | 10.00 | 15.00 | 17.50 |
| 4   | 7.50  | 12.50 | 15.00 |
| 3   | 5.00  | 10.00 | 12.50 |
| 2   | 2.50  | 7.50  | 10.00 |
| Pin | DIM.A | DIM.B | DIM.C |

1. 工作温度: -25°C ~ 85°C.
2. 适用线规: AWG#30 ~ #22.
3. 额定电压: 250V DC/AC(rms).
4. 额定电流: 3.0A.
5. 接触电阻: ≤ 20mΩ.
6. 耐压值: 1000V AC/minute.
7. 绝缘电阻: ≥ 1000MΩ.



| GENERAL TOLERANCES |       |        |        |
|--------------------|-------|--------|--------|
| DIM                | TOL   | DIM    | DEG    |
| X.                 |       | X°     | ±3.00° |
| X.X                | ±0.35 | X.X°   | ±2.00° |
| X.XX               | ±0.25 | X.XX°  | ±1.00° |
| X.XXX              | ±0.15 | X.XXX° |        |

| 4   | Cap          | 1 PCS | 材质:LCP (UL94V-0),颜色:本色或黑色 |
|-----|--------------|-------|---------------------------|
| 3   | FITTING NAIL | 2 PCS | 材质:磷青铜,电镀:镀亮锡60u"MIN      |
| 2   | PIN          | n PCS | 材质:黄铜,电镀:镀亮锡60u"MIN       |
| 1   | Housing      | 1 PCS | 材质:LCP (UL94V-0),颜色:本色或黑色 |
| NO. | NAME         | Q'TY  | DESCRIPTION               |

**韩下 HANXIA** 深圳市韩下电子有限公司

|                  |     |            |           |               |            |                   |
|------------------|-----|------------|-----------|---------------|------------|-------------------|
| DRAW:            | 李春风 | 2020-05-22 | TITLE:    | HX 2.54-6P LT | DRAW NAME: | WAFER 2.5LTA NX 2 |
| DESIGN:          |     |            | SERIES:   | 2021 SERIES   | DRAW NO.   |                   |
| CHECK:           | 钟华华 | 2020-05-22 | P/N:      |               | UNIT:      | SHEET:            |
| APPROVED         | 罗孝金 | 2020-05-22 | REV. 1.00 | SCALE N/A     | mm         | 1/1               |
| CUSTOMER DRAWING |     |            |           |               |            |                   |