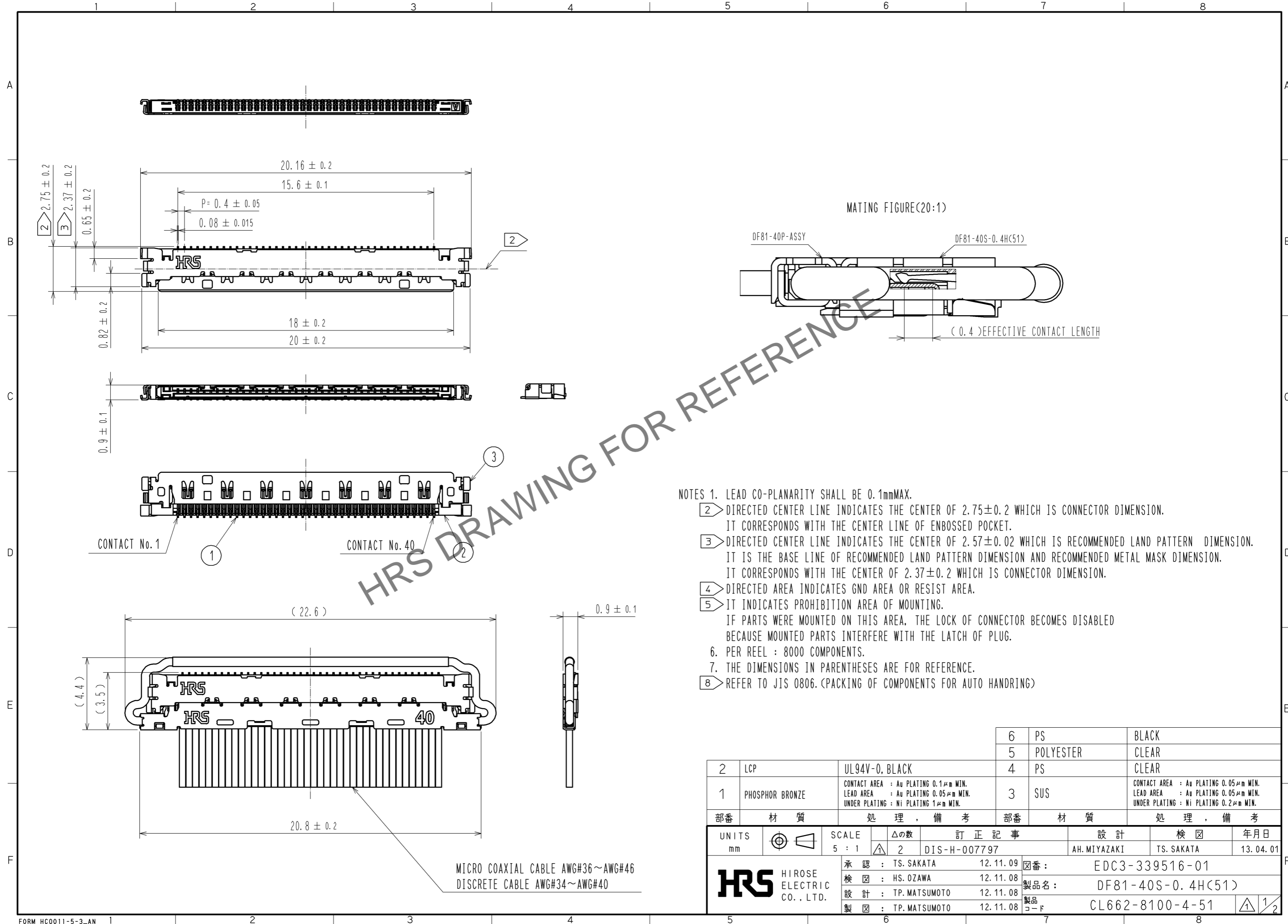
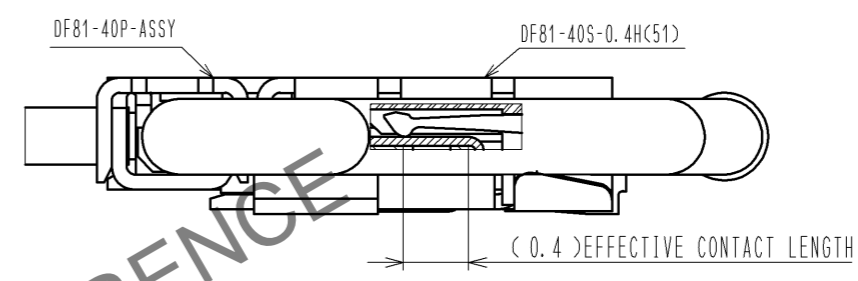


Jun.1.2024 Copyright 2024 HIROSE ELECTRIC CO., LTD. All Rights Reserved.  
In case of consideration for using Automotive equipment / device which demand high reliability, kindly contact our sales window correspondents.



MATING FIGURE(20:1)

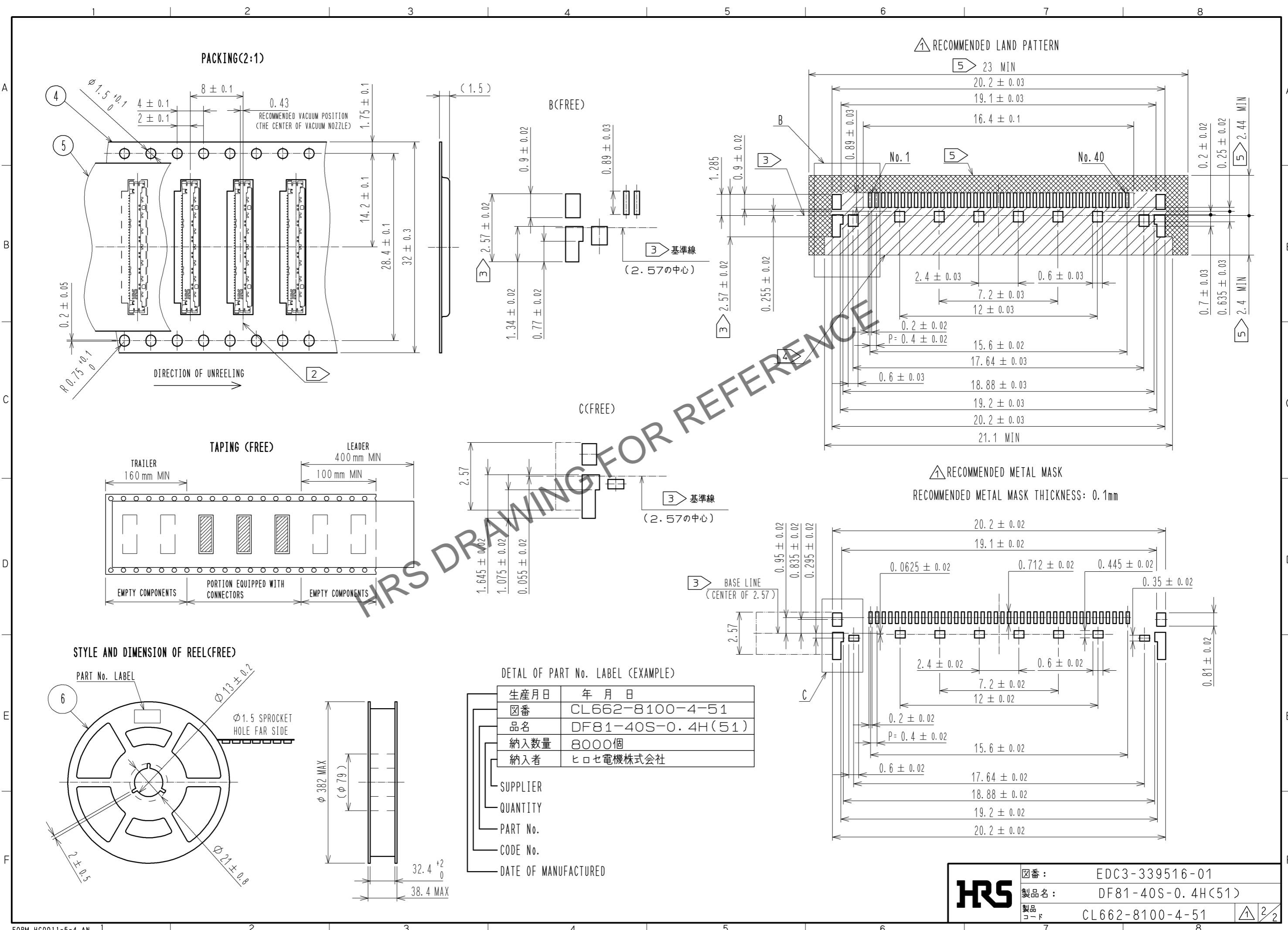


- NOTES
1. LEAD CO-PLANARITY SHALL BE 0.1mmMAX.
  - 2 DIRECTED CENTER LINE INDICATES THE CENTER OF 2.75±0.2 WHICH IS CONNECTOR DIMENSION. IT CORRESPONDS WITH THE CENTER LINE OF ENBOSSED POCKET.
  - 3 DIRECTED CENTER LINE INDICATES THE CENTER OF 2.57±0.02 WHICH IS RECOMMENDED LAND PATTERN DIMENSION. IT IS THE BASE LINE OF RECOMMENDED LAND PATTERN DIMENSION AND RECOMMENDED METAL MASK DIMENSION. IT CORRESPONDS WITH THE CENTER OF 2.37±0.2 WHICH IS CONNECTOR DIMENSION.
  - 4 DIRECTED AREA INDICATES GND AREA OR RESIST AREA.
  - 5 IT INDICATES PROHIBITION AREA OF MOUNTING. IF PARTS WERE MOUNTED ON THIS AREA, THE LOCK OF CONNECTOR BECOMES DISABLED BECAUSE MOUNTED PARTS INTERFERE WITH THE LATCH OF PLUG.
  6. PER REEL : 8000 COMPONENTS.
  7. THE DIMENSIONS IN PARENTHESES ARE FOR REFERENCE.
  - 8 REFER TO JIS 0806. (PACKING OF COMPONENTS FOR AUTO HANDRING)

2	LCP	UL94V-0, BLACK	6	PS	BLACK
1	PHOSPHOR BRONZE	CONTACT AREA : Au PLATING 0.1μm MIN. LEAD AREA : Au PLATING 0.05μm MIN. UNDER PLATING : Ni PLATING 1μm MIN.	5	POLYESTER	CLEAR
			4	PS	CLEAR
			3	SUS	CONTACT AREA : Au PLATING 0.05μm MIN. LEAD AREA : Au PLATING 0.05μm MIN. UNDER PLATING : Ni PLATING 0.2μm MIN.
部番	材 質	処 理 , 備 考	部番	材 質	処 理 , 備 考
UNITS mm		SCALE 5 : 1	△の数 2	訂 正 記 事 DIS-H-007797	
<b>HRS</b> HIROSE ELECTRIC CO., LTD.		承認 : TS. SAKATA 12.11.09	検 査 : HS. OZAWA 12.11.08	設 計 : TP. MATSUMOTO 12.11.08	製 図 : TP. MATSUMOTO 12.11.08
			図番 :	EDC3-339516-01	
			製品名 :	DF81-40S-0.4H(51)	
			製品コード :	CL662-8100-4-51	
					1/2
		設計	検 査		年月日
		AH.MIYAZAKI	TS.SAKATA		13.04.01

MICRO COAXIAL CABLE AWG#36~AWG#46  
DISCRETE CABLE AWG#34~AWG#40

Jun.1.2024 Copyright 2024 HIROSE ELECTRIC CO., LTD. All Rights Reserved.  
 In case of consideration for using Automotive equipment / device which demand high reliability, kindly contact our sales window correspondents.



DETAL OF PART No. LABEL (EXAMPLE)

生産月日	年月日
図番	CL662-8100-4-51
品名	DF81-40S-0.4H(51)
納入数量	8000個
納入者	ヒロセ電機株式会社

SUPPLIER  
 QUANTITY  
 PART No.  
 CODE No.  
 DATE OF MANUFACTURED

<b>HRS</b>	図番:	EDC3-339516-01
	製品名:	DF81-40S-0.4H(51)
	製品コード:	CL662-8100-4-51