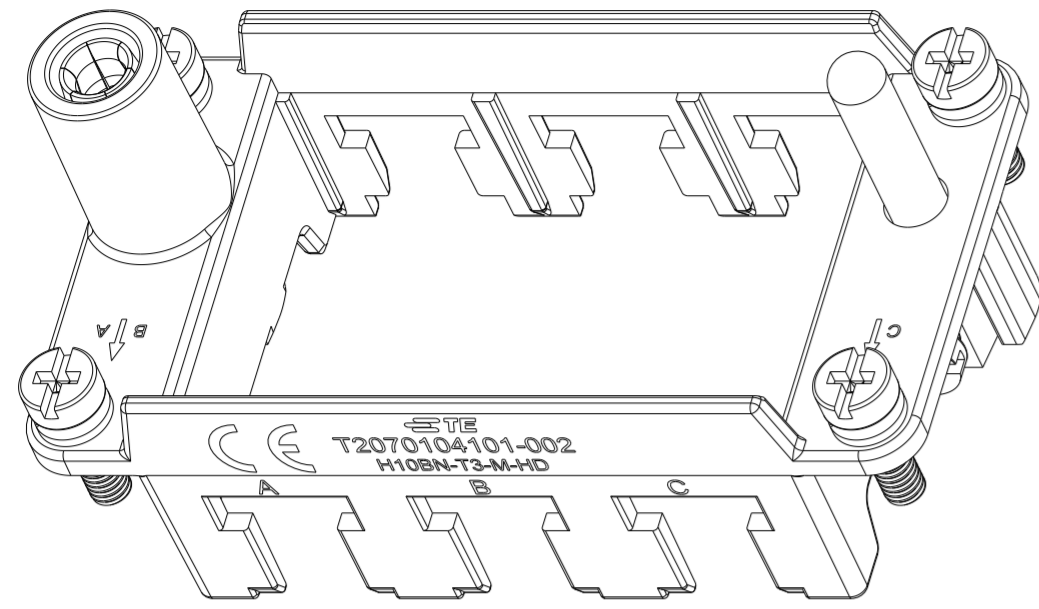
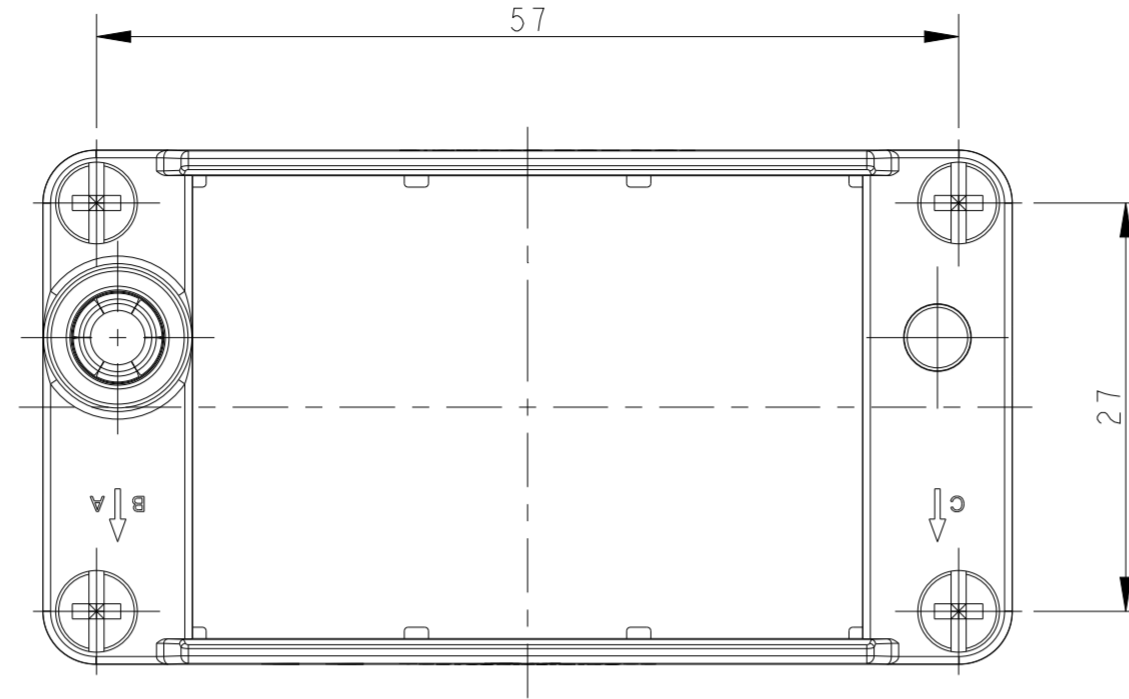


THIS DRAWING IS UNPUBLISHED. RELEASED FOR PUBLICATION 20  
 © COPYRIGHT 20 BY - ALL RIGHTS RESERVED.

REVISIONS					
P	LTR	DESCRIPTION	DATE	DWN	APVD
A		INITIAL	09AUG2017	RL	CW
B		ECR-21-122216	09DEC2021	WOR	CW



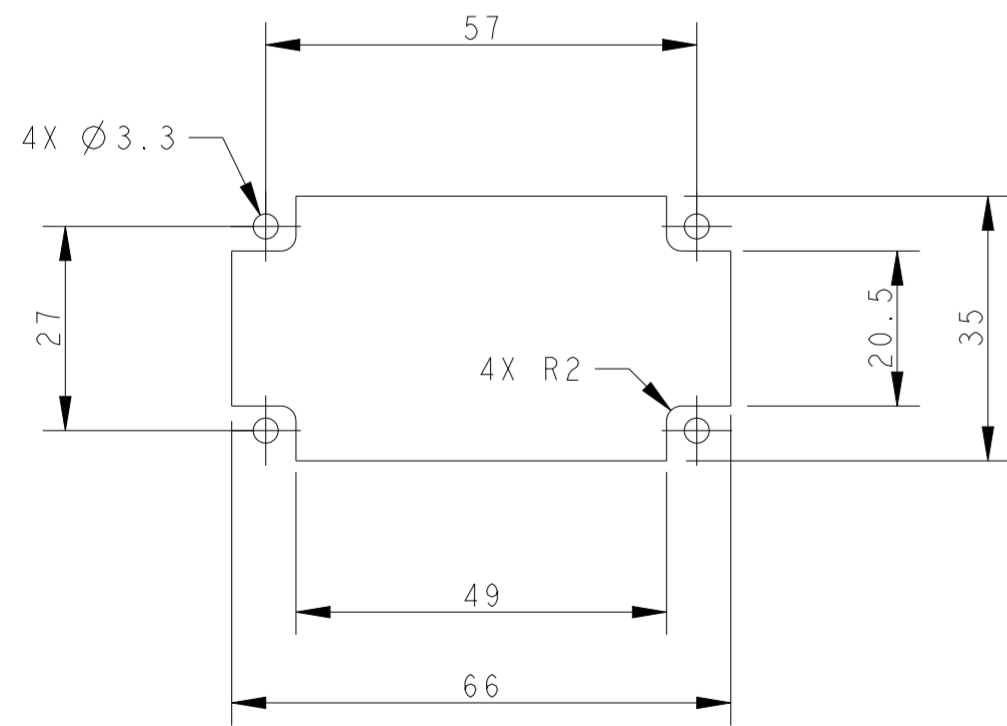
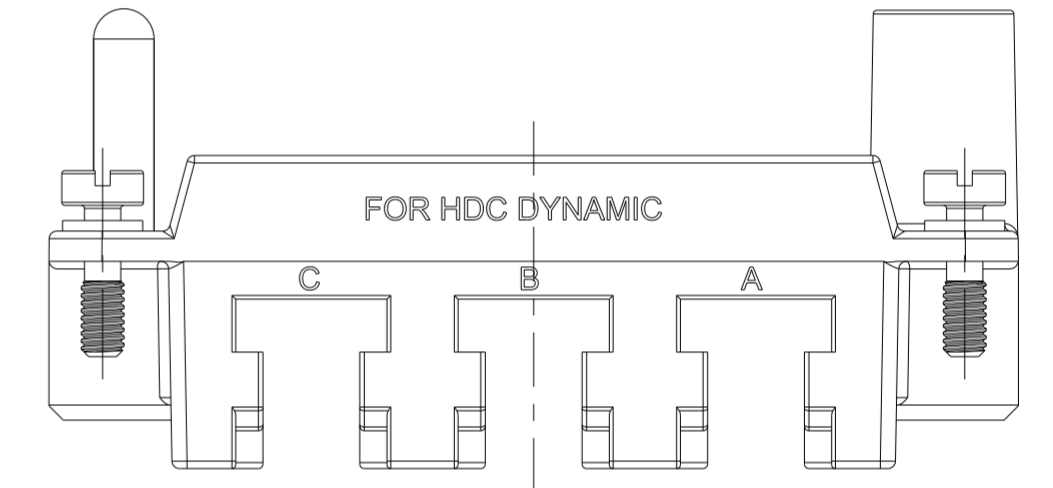
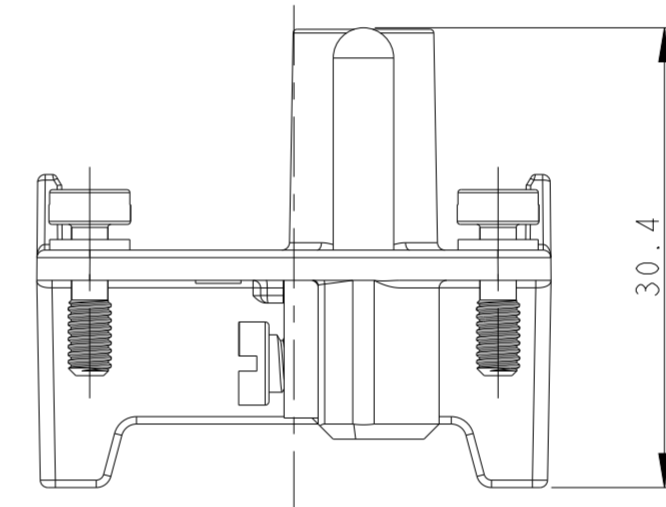
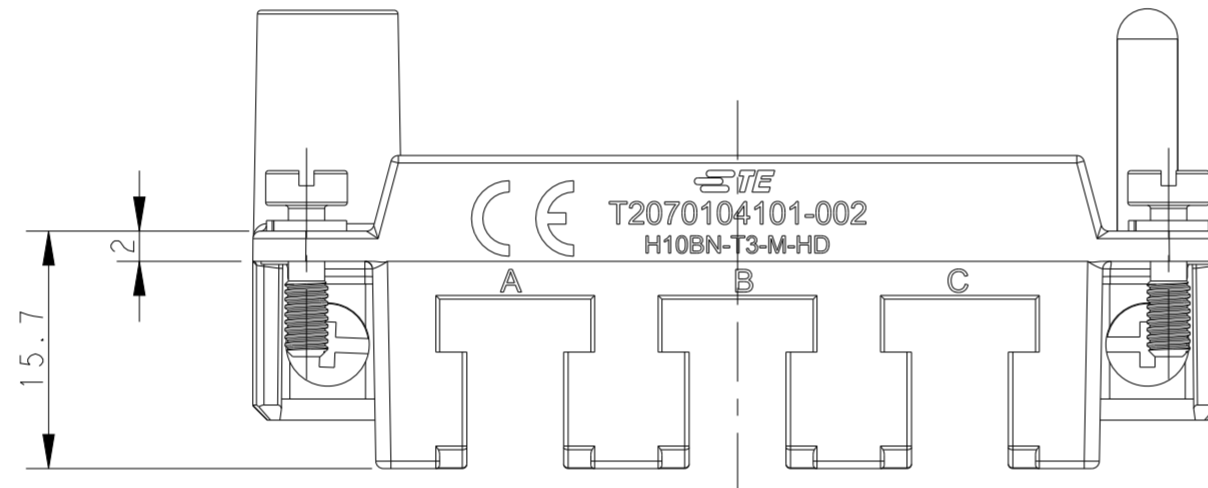
T2070104101-002 H10BN-T3-M-HD



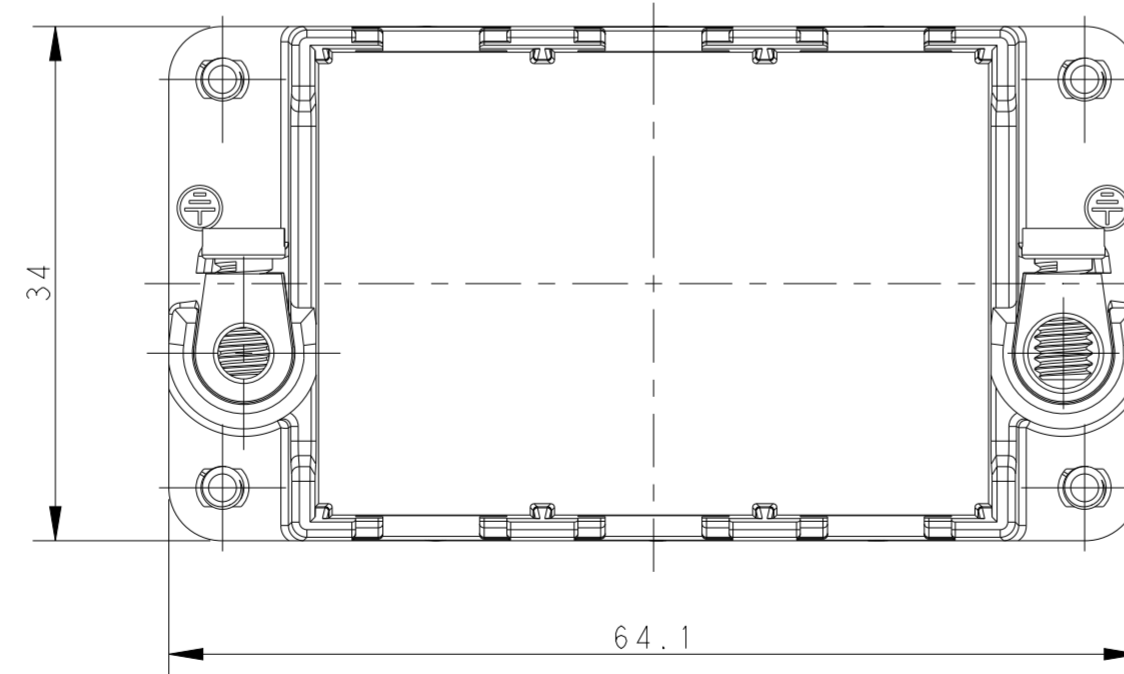
NOTES:

- 1. TECHNICAL CHARACTERISTICS:  
 FRAME MATERIAL: ZINC ALLOY  
 NUMBER OF MODULES: 3  
 FRAME SURFACE: BLACK NICKEL PLATING  
 MATING CYCLES: 500

- 注释:
- 1. 技术参数:  
 框架材料: 锌合金  
 模块数量: 3  
 框架表面处理: 电镀黑镍  
 插拔次数: 500



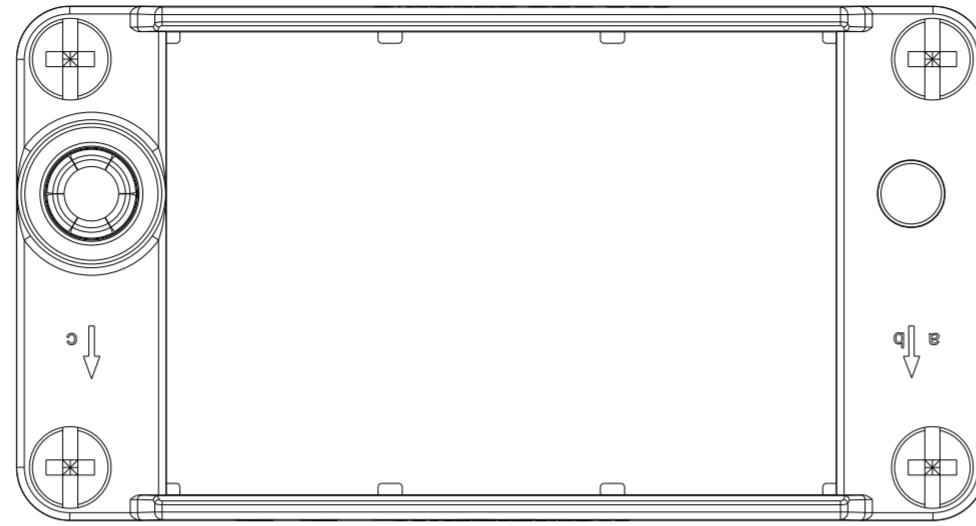
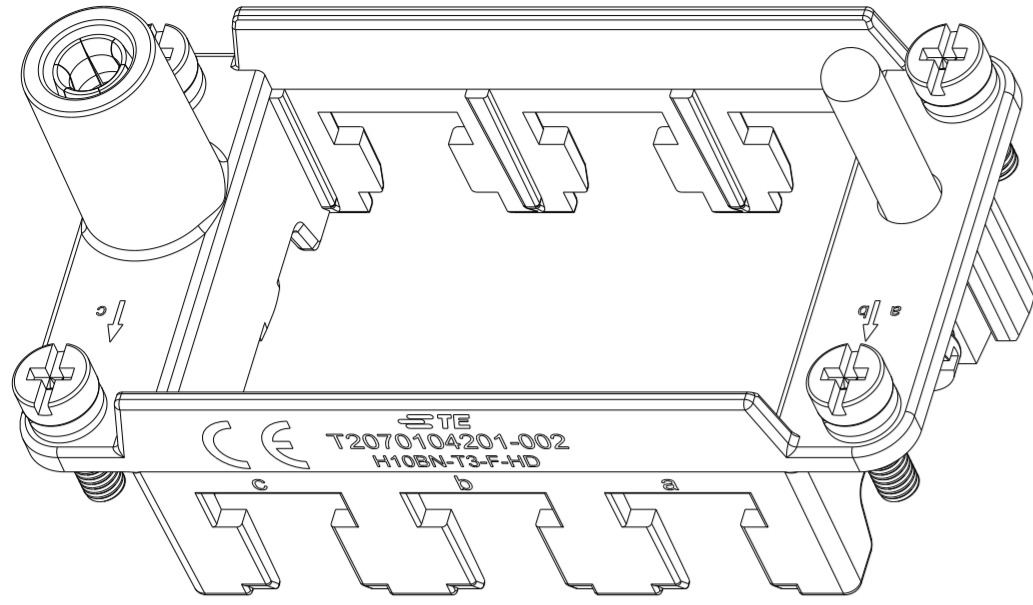
PANEL CUT FOR FRAME USE WITHOUT HOODS/ HOUSINGS



THIS DRAWING IS A CONTROLLED DOCUMENT.		DWN ROY LIU 09AUG2017	TE Connectivity																	
DIMENSIONS: mm		CHK GINO YAO 09AUG2017																		
TOLERANCES UNLESS OTHERWISE SPECIFIED:		APVD CHRIS WANG 09AUG2017	NAME H10BN-T3-M/F-HD																	
<table border="1"> <tr><td>0 PLC</td><td>±</td></tr> <tr><td>1 PLC</td><td>±</td></tr> <tr><td>2 PLC</td><td>±</td></tr> <tr><td>3 PLC</td><td>±</td></tr> <tr><td>4 PLC</td><td>±</td></tr> <tr><td>ANGLES</td><td>±</td></tr> <tr><td>FINISH</td><td>±</td></tr> </table>		0 PLC	±	1 PLC	±	2 PLC	±	3 PLC	±	4 PLC	±	ANGLES	±	FINISH	±	PRODUCT SPEC -	SIZE A2	CAGE CODE 00779	DRAWING NO C-T2070104X01002	RESTRICTED TO
0 PLC	±																			
1 PLC	±																			
2 PLC	±																			
3 PLC	±																			
4 PLC	±																			
ANGLES	±																			
FINISH	±																			
MATERIAL -		APPLICATION SPEC -	WEIGHT -	SCALE 1:1		SHEET 1 OF 2														
-		CUSTOMER DRAWING	REV B																	

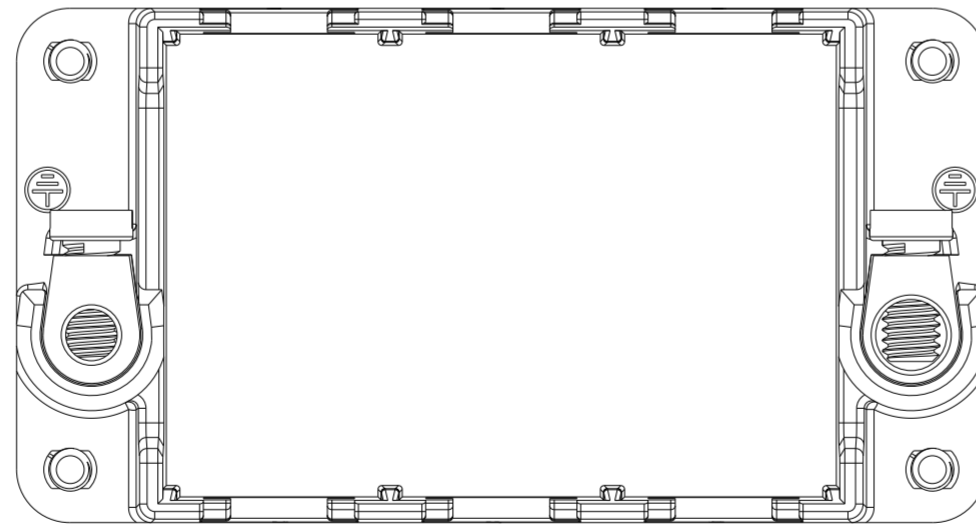
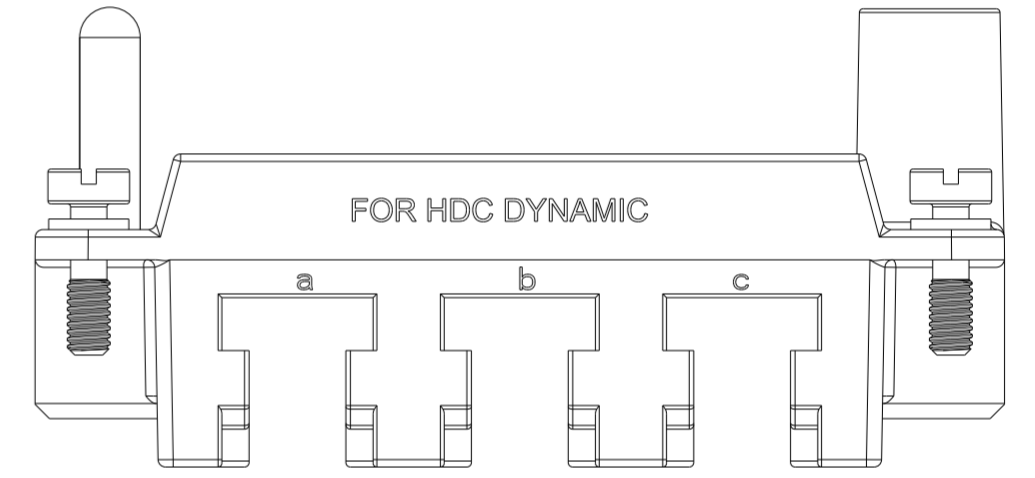
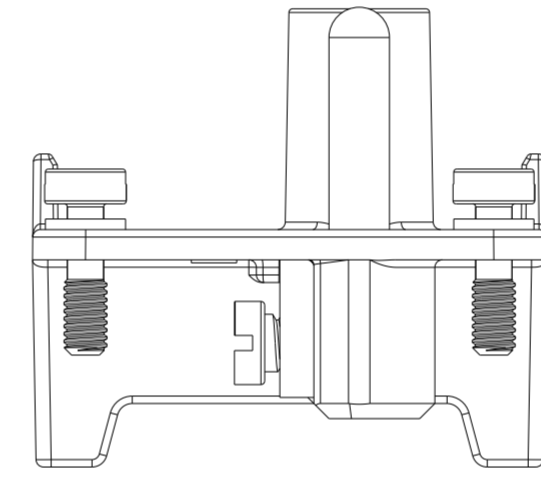
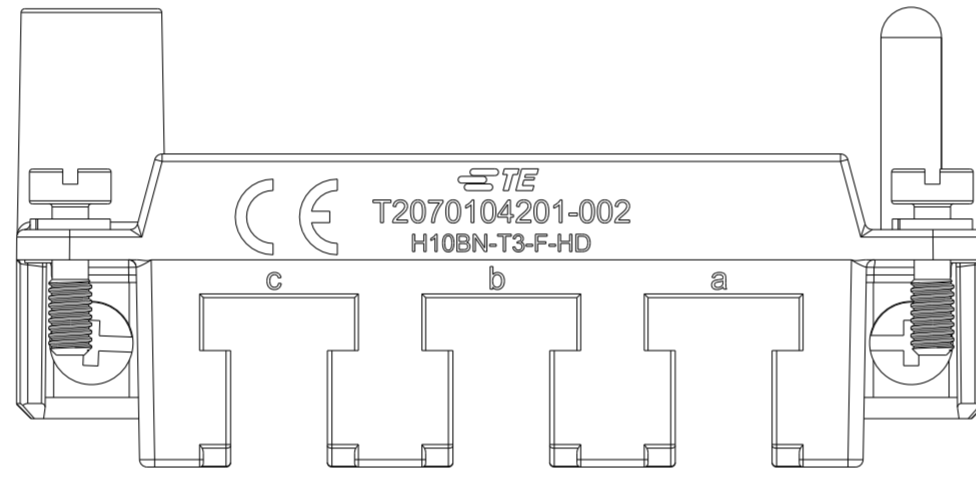
THIS DRAWING IS UNPUBLISHED. RELEASED FOR PUBLICATION 20  
 © COPYRIGHT 20 BY - ALL RIGHTS RESERVED.

REVISIONS					
P	LTR	DESCRIPTION	DATE	DWN	APVD
-	-	SEE SHEET 1	-	-	-




T2070104201-002, H10BN-T3-F-HD,  
 ALL DIMENSIONS THE SAME TO T2070104101-002  
 T2070104201-002, H10BN-T3-F-HD,  
 所有尺寸同T2070104101-002一样

NOTES:  
 SEE SHEET 1



T2070104201-002	H10BN-T3-F-HD	H10BN FEMALE MODULE FRAME, MATED WITH DYNAMIC H10BN模块母框架, 适配Dynamic
T2070104101-002	H10BN-T3-M-HD	H10BN MALE MODULE FRAME, MATED WITH DYNAMIC H10BN模块公框架, 适配Dynamic
PART NUMBER 成品料号		PART DESCRIPTION 成品描述

THIS DRAWING IS A CONTROLLED DOCUMENT.		DWN ROY LIU 09AUG2017	 TE Connectivity					
DIMENSIONS:		CHK GINO YAO 09AUG2017				NAME H10BN-T3-M/F-HD		
TOLERANCES UNLESS OTHERWISE SPECIFIED:		APVD CHRIS WANG 09AUG2017				SIZE A200779		
mm		PRODUCT SPEC				CAGE CODE C-T2070104X01002		
0 PLC ±		APPLICATION SPEC	DRAWING NO					
1 PLC ±			RESTRICTED TO					
2 PLC ±			SCALE 2:1					
3 PLC ±			SHEET 2 OF 2					
4 PLC ±			REV B					
ANGLES ±								
FINISH		WEIGHT						
-		CUSTOMER DRAWING						
finish_spec_2								