

**Product number F14738_BROOKE-G2-S**

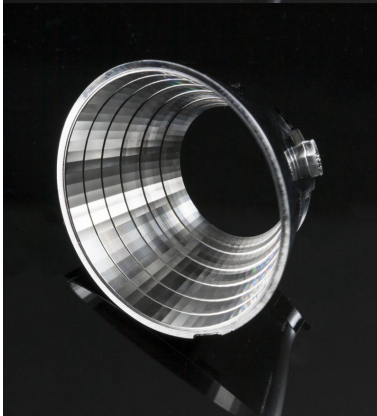
Family	Brooke	FWHM	NULL degrees
Type	Reflector	Efficiency	-
LED	V8 Gen6	cd/lm	-
Color	Metal	Gerber File	Available
Diameter	45 mm		
Height	19.7 mm		
Style	Round		
Optic Material	PC		
Holder Material	-		
Fastening	["socket"]		
Status	Production ready		

**Product number F14738_BROOKE-G2-S**

Family	Brooke	FWHM	(simulated) 15
Type	Reflector	Efficiency	-
LED	V8 Gen6	cd/lm	(simulated) 0.000
Color	Metal	Gerber File	Available
Diameter	45 mm		
Height	19.7 mm		
Style	Round		
Optic Material	PC		
Holder Material	-		
Fastening	["socket"]		
Status	Production ready		

**Product number F14739_BROOKE-G2-M**

Family	Brooke	FWHM	NULL degrees
Type	Reflector	Efficiency	-
LED	V8 Gen6	cd/lm	-
Color	Metal	Gerber File	Available
Diameter	45 mm		
Height	19.7 mm		
Style	Round		
Optic Material	PC		
Holder Material	-		
Fastening	["socket"]		
Status	Production ready		

**Product number F14739_BROOKE-G2-M**

Family	Brooke	FWHM	NULL degrees
Type	Reflector	Efficiency	-
LED	V8 Gen6	cd/lm	-
Color	Metal	Gerber File	Available
Diameter	45 mm		
Height	19.7 mm		
Style	Round		
Optic Material	PC		
Holder Material	-		
Fastening	["socket"]		
Status	Production ready		

**Product number F14740_BROOKE-G2-W**

Family	Brooke	FWHM	NULL degrees
Type	Reflector	Efficiency	-
LED	V8 Gen6	cd/lm	-
Color	Metal	Gerber File	Available
Diameter	45 mm		
Height	19.7 mm		
Style	Round		
Optic Material	PC		
Holder Material	-		
Fastening	["socket"]		
Status	Production ready		

Product number F14740_BROOKE-G2-W

Family	Brooke	FWHM	NULL degrees
Type	Reflector	Efficiency	-
LED	V8 Gen6	cd/lm	-
Color	Metal	Gerber File	Available
Diameter	45 mm		
Height	19.7 mm		
Style	Round		
Optic Material	PC		
Holder Material	-		
Fastening	["socket"]		
Status	Production ready		

NOTE: The typical divergence will be changed by different color, chip size and chip position tolerance. The typical total divergence is the full angle measured where the luminous intensity is half of the peak value.



PRODUCT DATASHEET

Brooke series

last update 1/2/2017

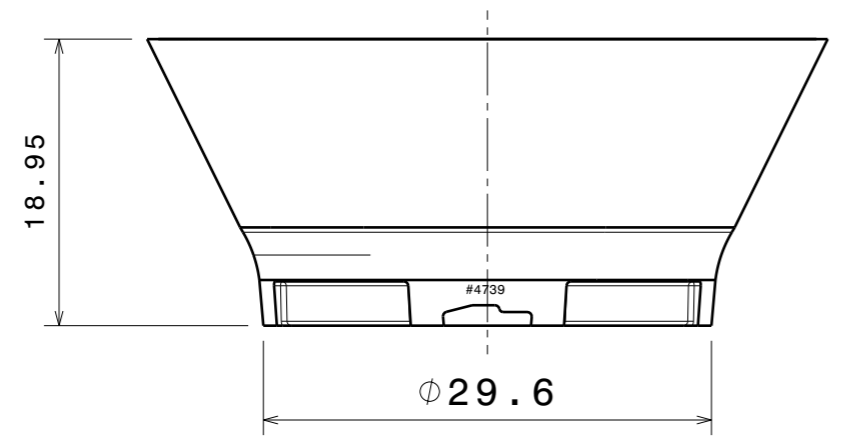
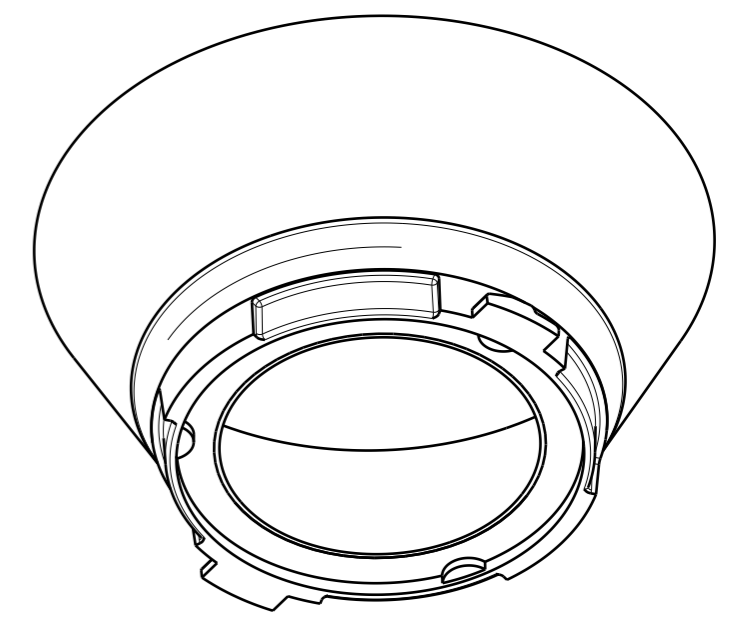
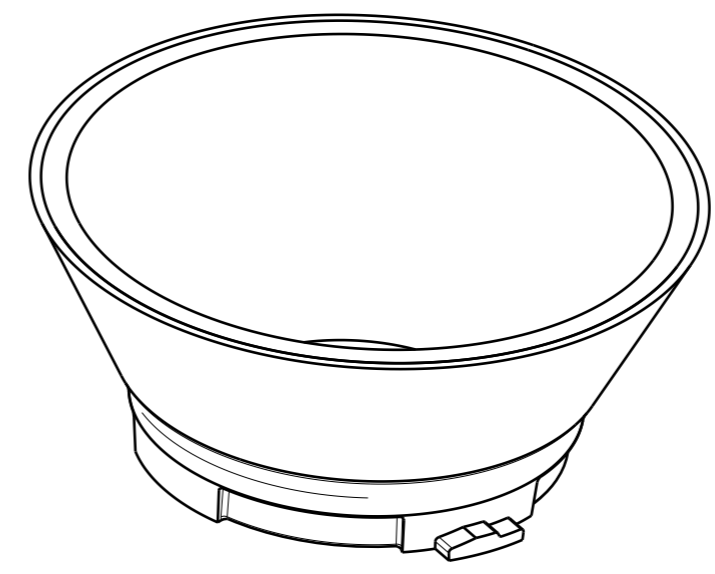
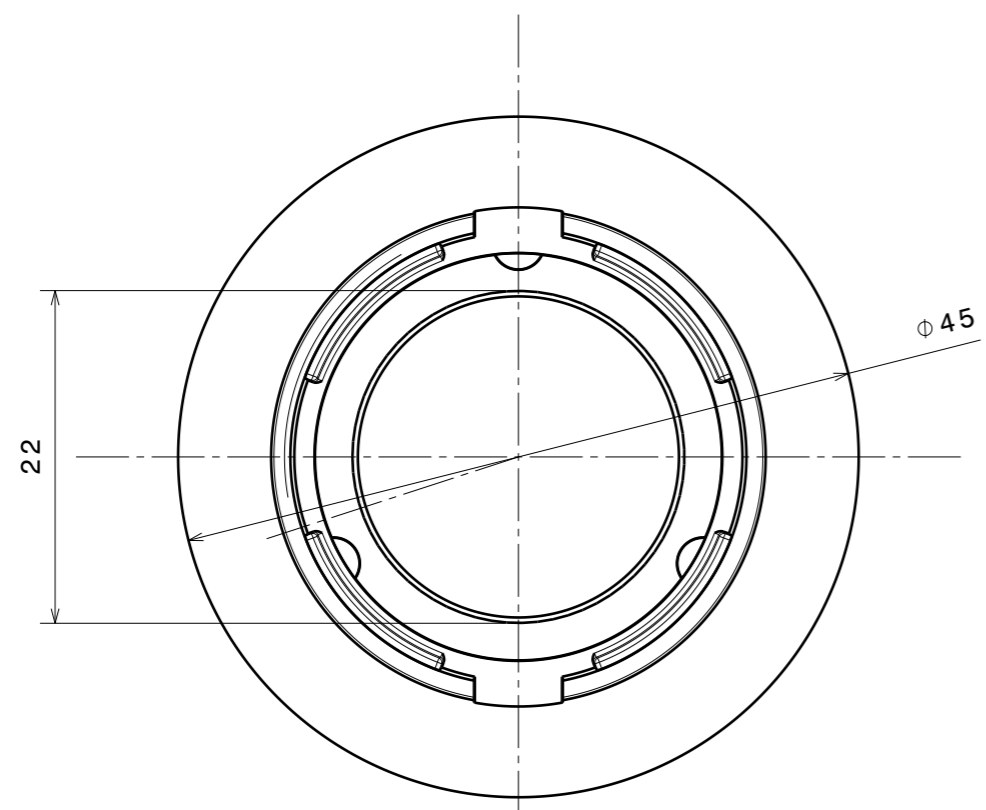
GENERAL INFORMATION

- Product series especially designed & optimized for V8 Gen6 series of LEDs.
- Special care taken to make light distribution as uniform as possible.

Note! Due to use of high power COB's with this product, special attention to proper thermal design is highly recommended. LEDiL has no liability for direct, indirect or consecutive damages arising from the LEDiL products being used outside of the recommended temperature range.

H G F E D C B A

REV	DATE	DESCRIPTION	DONE BY
002	22.12.2015	Fixing area change	jk



INDEX	PART NO	DESCRIPTION	MATERIAL	COLOUR
1	F14740	BROOKE-G2-W	PC	metal

Tolerances if not otherwise shown
 According to DIN ISO 2768-1
 Linear measures:
 Up to 30mm class F, otherwise class M.
 According to DIN ISO 2768-2
 Form and position: class K
 Control for SPC marked dimensions.

LEDiL Ledil Oy
 Salorankatu 10
 FIN 24240 SALO
 Finland

THIRD ANGLE PROJECTION:

DRAWING TITLE
F14740_BROOKE-G2-W Datasheet

This drawing is the property of LEDiL Oy. It may not be reproduced, copied or communicated without a written agreement with LEDiL Oy.

SIZE	PART NUMBER
A3	F14740

SCALE	1:1	WEIGHT	4,5 g	SHEET	1/1
-------	-----	--------	-------	-------	-----

H G F E D C B A