

## ML40S12DC

### Class 2 Magnetic Dimmable Transformer

#### Inspired LED #3950

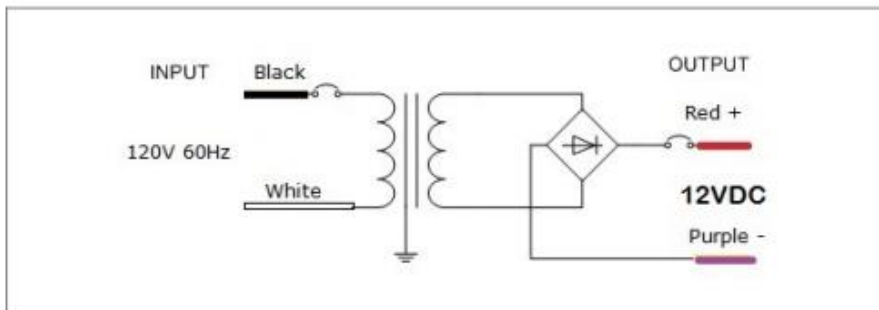
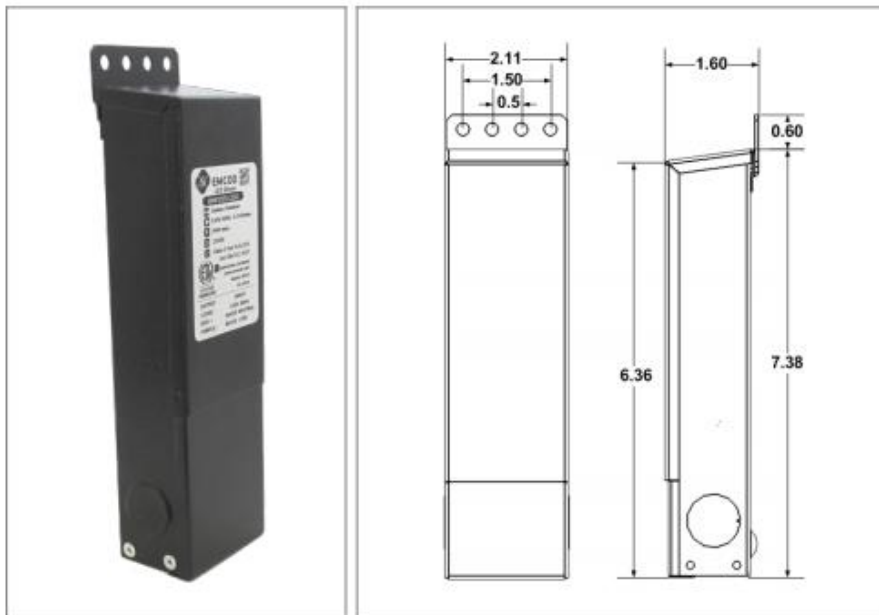
UPC#: **61693283950-4**

Outdoor Black Powder Coated Steel Enclosure

Single Circuit: **12 VDC**

Total Wattage: **40W max**

Input Voltage: **120V 60Hz**



### Transformer

Dimmable with any low voltage magnetic dimmer  
(provided minimum load is achieved)

Temperature class B (130°C)

18AWG 600V Input leads

18AWG 300V Output leads

Leads max. operational temperature 150°C

Thermal self reset primary breaker 1.25A

Thermal self reset secondary breaker 5A

### Housing

40W transformer enclosed in Black Powder Coated Steel,  
NEMA 3R rated

5 knockouts sizes for 3/8 inch screw cable connectors

Enclosure Temperature does not exceed 75°C at 45°C ambient  
and fully loaded

Dimensions: 7.38" (H) x 2.11" (W) X 1.6" (D)

Weight: 2.3 lbs

### Electrical Parameters

|                                  |                  |
|----------------------------------|------------------|
| Input Voltage                    | <b>120V 60Hz</b> |
| Max. input current at full load: | <b>0.4A</b>      |
| Output voltage without load:     | <b>13.5VDC</b>   |
| Output voltage fully loaded:     | <b>11.5VDC</b>   |
| Max. Total Wattage:              | <b>40W</b>       |
| Max. Output Current:             | <b>3.3A</b>      |
| Efficiency:                      | <b>85%</b>       |