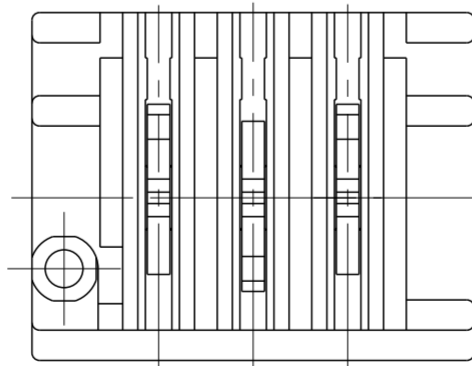
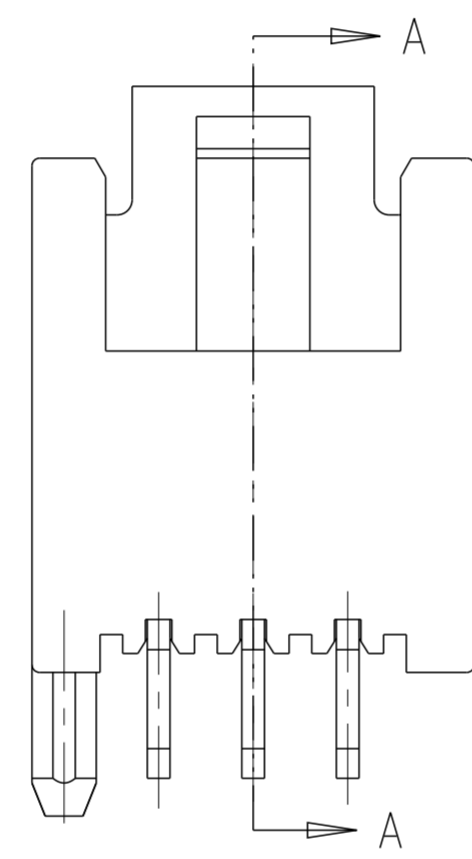
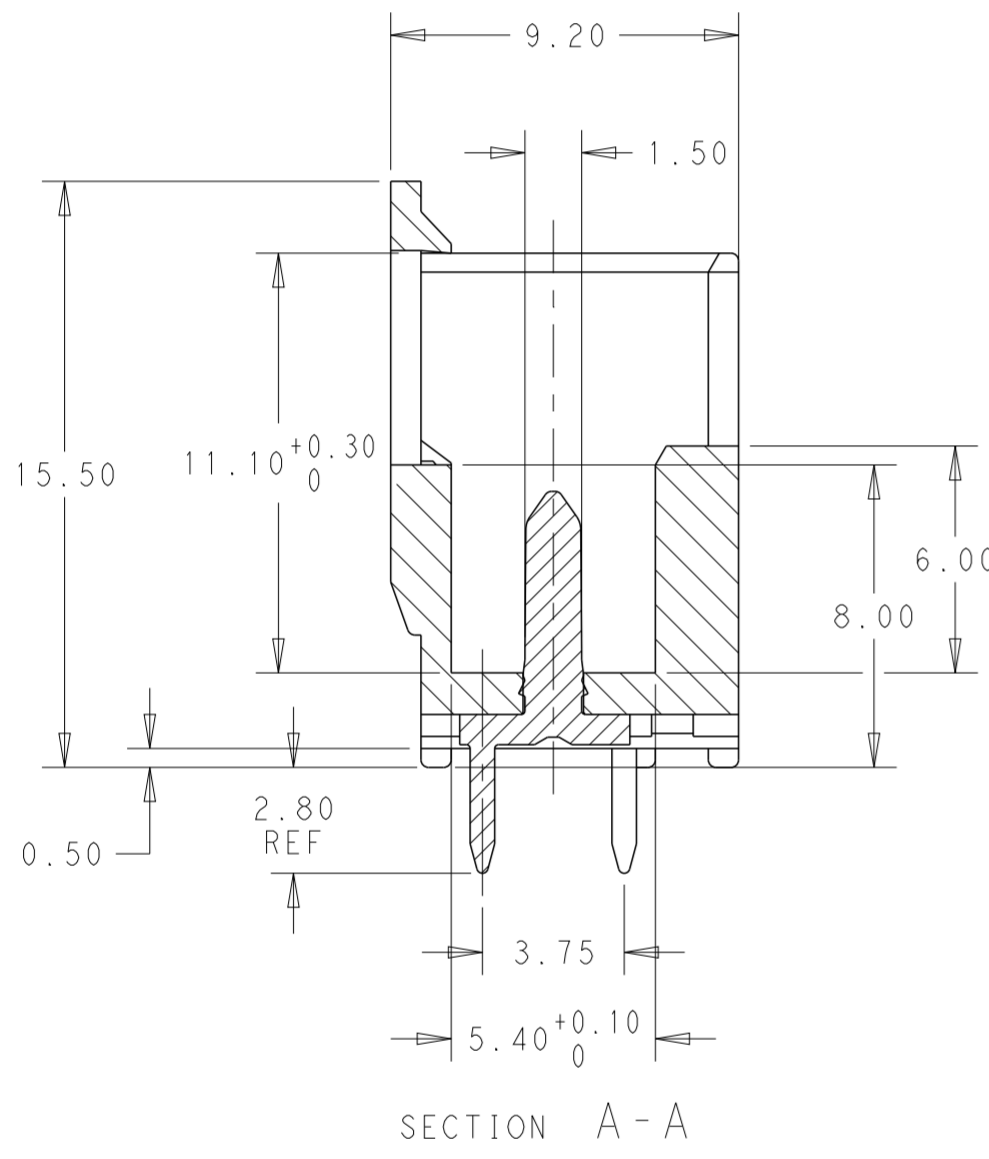
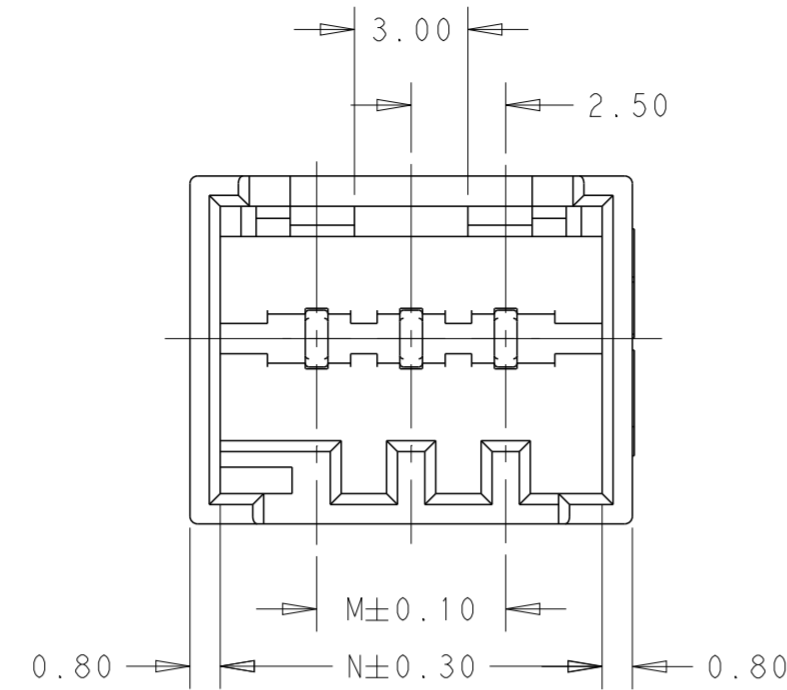
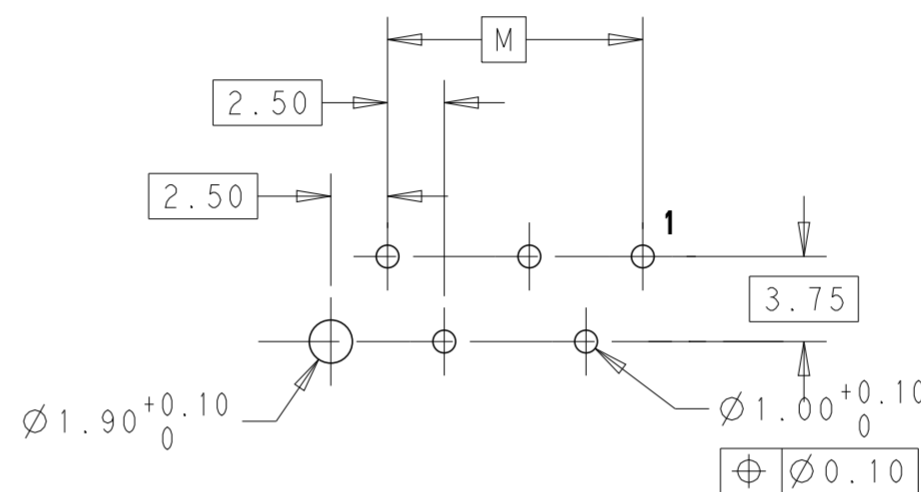


THIS DRAWING IS UNPUBLISHED. RELEASED FOR PUBLICATION 20
 © COPYRIGHT 20 BY - ALL RIGHTS RESERVED.

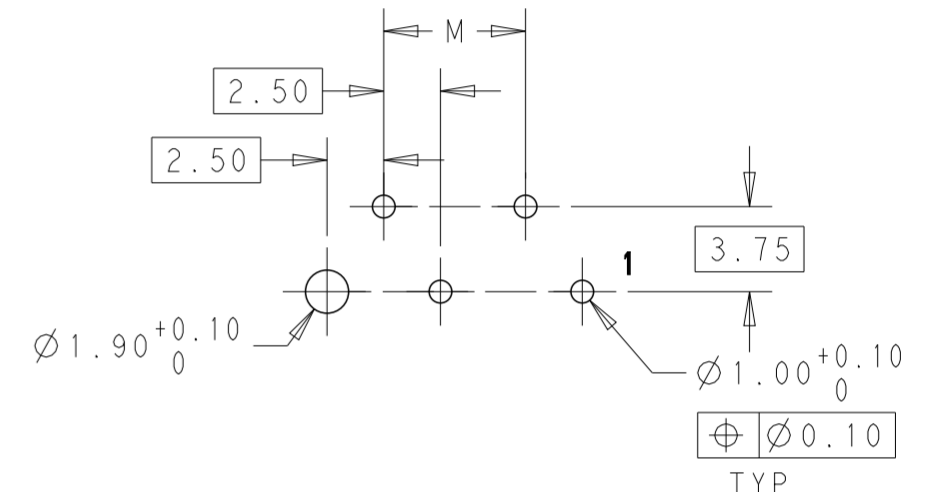
REVISIONS				
P	LTR	DESCRIPTION	DATE	APVD
A13		ECR-21-111237	24AUG2021	WW FL
B1		ECR-21-121780	26NOV2021	TL FL
B2		ECR-22-136222	21APR2022	WW FL
B3		ECR-24-205274	11APR2024	TL FL



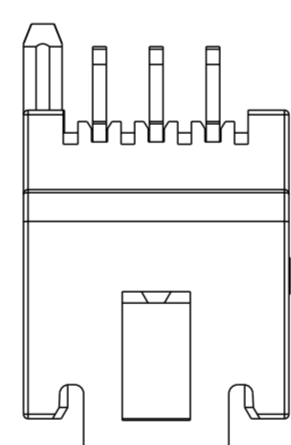
- SEE SHEET 2 FOR AVAILABLE CONFIGURATIONS
- MATERIAL: HOUSING, NYLON, UL94 V0, 750°C GWT NO FLAME CONTACT, COPPER ALLOY, 0.60MM THICK
- FINISH: TIN PLATING OVER NICKEL UNDERPLATING
- PCB LAYOUT AS SHOWN
- PRELIMINARY, NOT FOR PRODUCTION
- TWO ALTERNATIVE RESINS AVAILABLE



PCB LAYOUT A - SOLDER SIDE
ODD NUMBER OF PINS

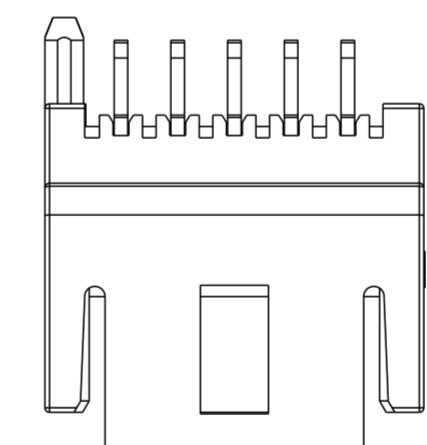


PCB LAYOUT A - SOLDER SIDE
EVEN NUMBER OF PINS



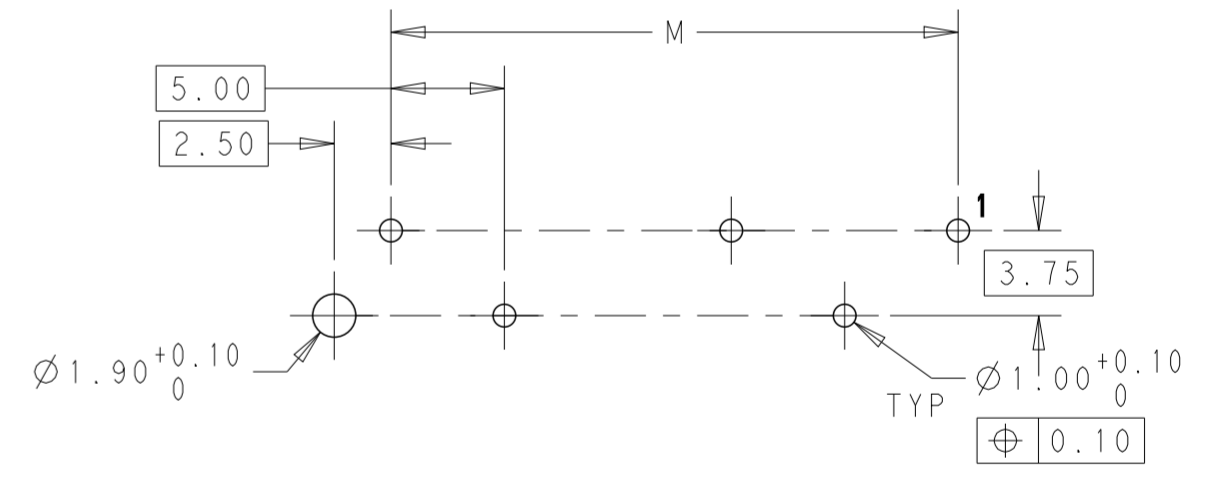
SCALE 3:1

LATCH DESIGN FOR PARTS WITH 3 AND 4 POSITIONS



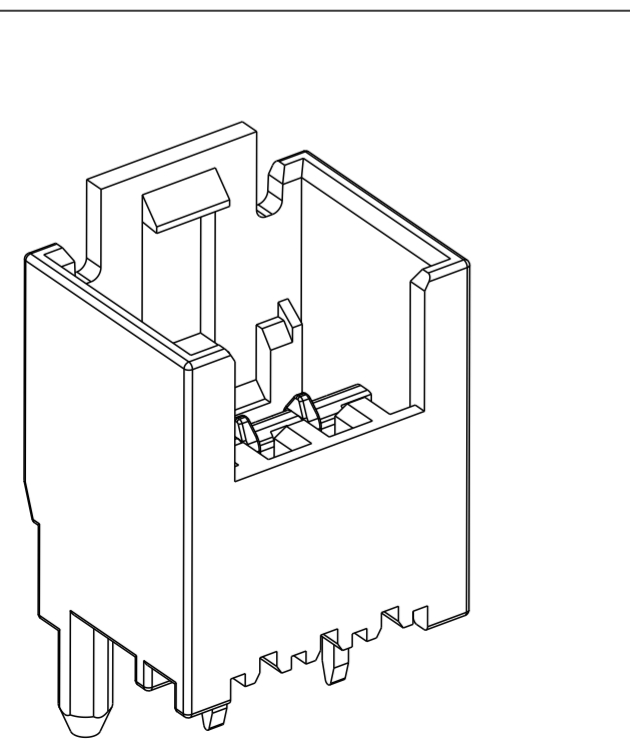
SCALE 3:1

LATCH DESIGN FOR PARTS WITH POSITION BIGGER THAN 4



PCB LAYOUT B - SOLDER SIDE
ODD NUMBER OF PINS

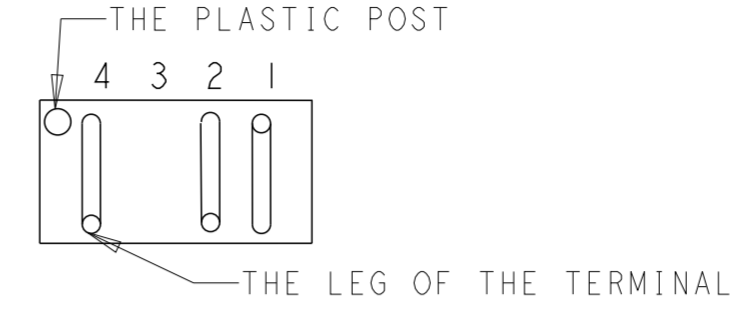
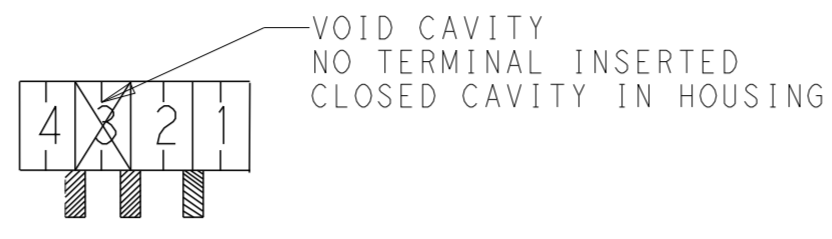
40.00	40.00	45.10	40.00	17
20.00	20.00	25.10	20.00	9
15.00	-	20.10	15.00	7
10.00	-	17.60	12.50	6
10.00	10.00	15.10	10.00	5
5.00	-	12.60	7.50	4
5.00	5.00	10.10	5.00	3
Q	P	N	M	POS



THIS DRAWING IS A CONTROLLED DOCUMENT.		DWN 16APR2015 WINTER WANG	TE Connectivity	
		CHK 16APR2015 JAIN LIU		
DIMENSIONS: mm		APVD 16APR2015 RICCARDO ROBONE	NAME RAST 2.5 TAB HEADER ASSY POTTED VERSION	
TOLERANCES UNLESS OTHERWISE SPECIFIED:		PRODUCT SPEC 108-106079	SIZE CAGE CODE DRAWING NO RESTRICTED TO	
0 PLC ±		APPLICATION SPEC	A200779 C-2232960	
1 PLC ±		WEIGHT	SCALE 5:1 SHEET 1 OF 7 REV B3	
2 PLC ±0.20		CUSTOMER DRAWING		
3 PLC ±				
4 PLC ±				
ANGLES ±1°				
FINISH				

THIS DRAWING IS UNPUBLISHED. RELEASED FOR PUBLICATION 20
 © COPYRIGHT 20 BY - ALL RIGHTS RESERVED.

REVISIONS					
P	LTR	DESCRIPTION	DATE	DWN	APVD
-	-	SEE SHEET 1	-	-	-



KEYING CONFIGURATION	TAIL CONFIGURATION	PCB LAYOUT	COLOR	VOID CAVITY	CAVITY	TE PART NUMBER	REVISION
		B	BLACK	2	3	2-2232962-3	B
		B	NATURAL	2	3	1-2232962-3	B
		A	BLACK	-	3	8-2232960-3	B
		A	NATURAL	-	3	7-2232960-3 △5	1
		A	NATURAL	-	3	6-2232960-3	B
		A	NATURAL	-	3	5-2232960-3	B
		A	NATURAL	-	3	4-2232960-3	B
		A	BLACK	-	3	3-2232960-3	B
		A	BLACK	-	3	2-2232960-3	B
		A	NATURAL	-	3	1-2232960-3	B

THIS DRAWING IS A CONTROLLED DOCUMENT.

DWN: WINTER WANG 16APR2015
 CHK: JAIN LIU 16APR2015
 APVD: RICCARDO ROBONE 16APR2015

STE TE Connectivity

NAME: RAST 2.5 TAB HEADER ASSY POTTED VERSION

PRODUCT SPEC: 108-106079

APPLICATION SPEC: -

SIZE: A2 CAGE CODE: 200779 DRAWING NO: C-2232960 RESTRICTED TO: -

WEIGHT: -

CUSTOMER DRAWING SCALE: 5:1 SHEET: 2 OF 7 REV: B3

THIS DRAWING IS UNPUBLISHED. RELEASED FOR PUBLICATION 20
 © COPYRIGHT 20 BY - ALL RIGHTS RESERVED.

REVISIONS					
P	LTR	DESCRIPTION	DATE	DWN	APVD
-		SEE SHEET 1	-	-	-

		B	NATURAL	2	3	4-2232962-3	A
		B	NATURAL	2	3	3-2232962-3	A
		A	NATURAL	-	3	9-2232960-3	A
KEYING CONFIGURATION	TAIL CONFIGURATION	PCB LAYOUT	COLOR	VOID CAVITY	CAVITY	TE PART NUMBER	REVISION

THIS DRAWING IS A CONTROLLED DOCUMENT.		DWN WINTER WANG 16APR2015	TE Connectivity	
		CHK JAIN LIU 16APR2015		
DIMENSIONS: mm		APVD RICCARDO ROBONE 16APR2015	NAME RAST 2.5 TAB HEADER ASSY POTTED VERSION	
TOLERANCES UNLESS OTHERWISE SPECIFIED: 0 PLC ± 1 PLC ± 2 PLC ±0.20 3 PLC ± 4 PLC ± ANGLES ±1° FINISH		PRODUCT SPEC 108-106079	RESTRICTED TO	
MATERIAL		APPLICATION SPEC	SIZE A200779	CAGE CODE C-2232960
		WEIGHT	DRAWING NO	
		CUSTOMER DRAWING	SCALE 5:1	SHEET 3 OF 7
			REV B3	

THIS DRAWING IS UNPUBLISHED. RELEASED FOR PUBLICATION 20
 © COPYRIGHT 20 BY - ALL RIGHTS RESERVED.

REVISIONS				
P	LTR	DESCRIPTION	DATE	APVD
-	-	SEE SHEET 1	-	-

		A	NATURAL	-	4	6-2232960-4	A
		A	NATURAL	-	4	5-2232960-4	A
		A	NATURAL	-	4	4-2232960-4	B
		A	NATURAL	-	4	3-2232960-4	B
		A	BLACK	-	4	2-2232960-4	B
		A	NATURAL	3	4	1-2232960-4	B
		B	NATURAL	2, 4	5	3-2232962-5	A
		B	BLACK	2, 4	5	1-2232962-5	A
		A	BLACK	-	5	2-2232960-5	A
		A	NATURAL	-	5	1-2232960-5	A
KEYING CONFIGURATION	TAIL CONFIGURATION	PCB LAYOUT	COLOR	VOID CAVITY	CAVITY	TE PART NUMBER	REVISION

THIS DRAWING IS A CONTROLLED DOCUMENT.

DIMENSIONS: mm	TOLERANCES UNLESS OTHERWISE SPECIFIED:	DWN: WINTER WANG 16APR2015	TE Connectivity NAME: RAST 2.5 TAB HEADER ASSY POTTED VERSION SIZE: A200779 CAGE CODE: C-2232960 DRAWING NO: 108-106079 RESTRICTED TO: - SCALE: 5:1 SHEET: 4 OF 7 REV: B3
	0 PLC ± 1 PLC ± 2 PLC ±0.20 3 PLC ± 4 PLC ± ANGLES ±1° FINISH	CHK: JAIN LIU 16APR2015	
MATERIAL: -	-	APVD: RICCARDO ROBONE 16APR2015	
-	-	PRODUCT SPEC: APPLICATION SPEC	

CUSTOMER DRAWING

THIS DRAWING IS UNPUBLISHED. RELEASED FOR PUBLICATION 20
 © COPYRIGHT 20 BY - ALL RIGHTS RESERVED.

REVISIONS					
P	LTR	DESCRIPTION	DATE	DWN	APVD
-	-	SEE SHEET 1	-	-	-

		A	NATURAL	-	7	4-2232960-7	A
		A	NATURAL	-	7	3-2232960-7	A
		B	NATURAL	2, 4, 6	7	1-2232962-7	A
		A	NATURAL	-	7	2-2232960-7	A
		A	NATURAL	-	7	1-2232960-7	A
		A	NATURAL	-	6	4-2232960-6	A
		A	NATURAL	-	6	3-2232960-6	A
		A	NATURAL	-	6	2-2232960-6	A
		A	NATURAL	-	6	1-2232960-6	A
KEYING CONFIGURATION	TAIL CONFIGURATION	PCB LAYOUT	COLOR	VOID CAVITY	CAVITY	TE PART NUMBER	REVISION

THIS DRAWING IS A CONTROLLED DOCUMENT.

DWN: WINTER WANG 16APR2015
 CHK: JAIN LIU 16APR2015
 APVD: RICCARDO ROBONE 16APR2015

STE TE Connectivity

NAME: RAST 2.5 TAB HEADER ASSY POTTED VERSION

PRODUCT SPEC: 108-106079

APPLICATION SPEC: -

SIZE: A2 CAGE CODE: 00779 DRAWING NO: C-2232960 RESTRICTED TO: -

WEIGHT: -

CUSTOMER DRAWING SCALE: 5:1 SHEET: 5 OF 7 REV: B3

THIS DRAWING IS UNPUBLISHED. RELEASED FOR PUBLICATION 20
 © COPYRIGHT 20 BY - ALL RIGHTS RESERVED.

REVISIONS				
P	LTR	DESCRIPTION	DATE	APVD
-	-	SEE SHEET 1	-	-

		B	NATURAL	2, 4, 6, 8, 10	11	1-2232963-1 △5	1
		A	NATURAL	-	11	1-2232961-1 △5	1
		B	NATURAL	2, 4, 6, 8, 10, 12, 14, 16	17	2-2232963-7	A
		B	NATURAL	2, 4, 6, 8, 10, 12, 14, 16	17	1-2232963-7	A
		B	NATURAL	2, 4, 6, 8	9	1-2232962-9	A
		A	NATURAL	-	9	2-2232960-9	A
		A	NATURAL	-	9	1-2232960-9	A
KEYING CONFIGURATION	TAIL CONFIGURATION	PCB LAYOUT	COLOR	VOID CAVITY	CAVITY	TE PART NUMBER	REVISION

THIS DRAWING IS A CONTROLLED DOCUMENT.

DWN: WINTER WANG 16APR2015
 CHK: JAIN LIU 16APR2015
 APVD: RICCARDO ROBONE 16APR2015

STE TE Connectivity

NAME: RAST 2.5 TAB HEADER ASSY POTTED VERSION

SIZE: A2 CAGE CODE: 200779 DRAWING NO: C-2232960 RESTRICTED TO: -

SCALE: 5:1 SHEET: 6 OF 7 REV: B3

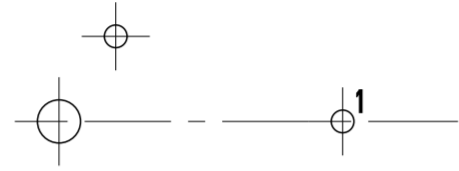
MATERIAL: - DIMENSIONS: mm TOLERANCES UNLESS OTHERWISE SPECIFIED: 0 PLC ±- 1 PLC ±- 2 PLC ±0.20 3 PLC ±- 4 PLC ±- ANGLES ±1° FINISH: -

APPLICATION SPEC: 108-106079 WEIGHT: - CUSTOMER DRAWING

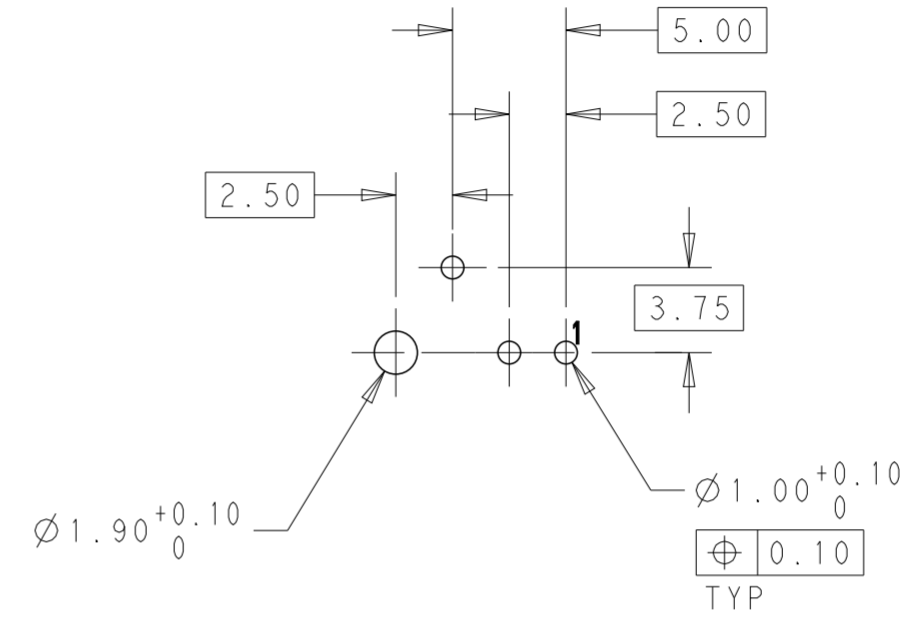
THIS DRAWING IS UNPUBLISHED. RELEASED FOR PUBLICATION 20
 © COPYRIGHT 20 BY - ALL RIGHTS RESERVED.

REVISIONS					
P	LTR	DESCRIPTION	DATE	DWN	APVD
-	-	SEE SHEET 1	-	-	-

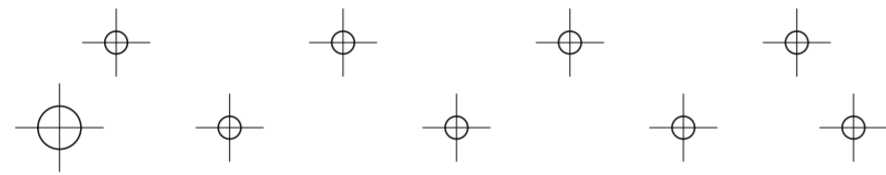
PARTS WITH SPECIAL PCB LAYOUT



PCB LAYOUT C - SOLDER SIDE



PCB LAYOUT D - SOLDER SIDE



PCB LAYOUT E - SOLDER SIDE

		E	NATURAL	3, 5, 7, 9, 11, 13	14	1-2232963-4 5 6	1
		C	NATURAL	2, 3, 4	5	2-2232962-5	A
		D	NATURAL	-	3	2364721-3	B
KEYING CONFIGURATION	TAIL CONFIGURATION	PCB LAYOUT	COLOR	VOID CAVITY	CAVITY	TE PART NUMBER	REVISION

THIS DRAWING IS A CONTROLLED DOCUMENT.

DWN: WINTER WANG 16APR2015
 CHK: JAIN LIU 16APR2015
 APVD: RICCARDO ROBONE 16APR2015

STE TE Connectivity

NAME: RAST 2.5 TAB HEADER ASSY POTTED VERSION

PRODUCT SPEC: 108-106079

APPLICATION SPEC: -

SIZE: A2 CAGE CODE: 00779 DRAWING NO: C-2232960 RESTRICTED TO: -

WEIGHT: -

CUSTOMER DRAWING SCALE: 5:1 SHEET: 7 OF 7 REV: B3