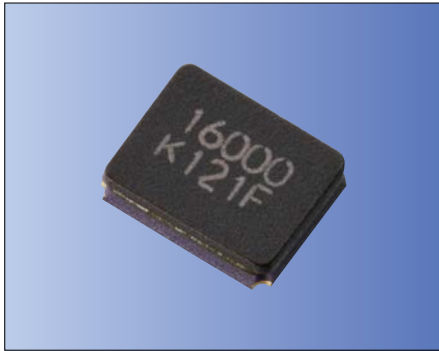


3.2×2.5mm for Automotive



RoHS Compliant

Features

- Crystal unit for automotive electronics
- Small and low profile (3.2×2.5×0.80mm)
- Ceramic package
- Reflow compatible
- AEC-Q200 qualified

Applications

- ECU
- High-Speed Automotive Network

How to Order

CX3225CA 16000

① ② ③ ④ ⑤ ⑥ ⑦

- ① Series ② Frequency
 ③ Load Capacitance ④ Frequency Tolerance
- | | | | |
|-----------|------|----------|-------------------------|
| D0 | 8 pF | P | $\pm 50 \times 10^{-6}$ |
|-----------|------|----------|-------------------------|
- ⑤ Operating Temp. Range ⑥ Frequency Temp. Stability
- | | | |
|-----------|---------------|--------------------------|
| SV | -40 to +125°C | $\pm 150 \times 10^{-6}$ |
|-----------|---------------|--------------------------|
- ⑦ Individual Specification

Packaging (Tape & Reel 3000 pcs./ reel)

Specifications

Item	Symbol	Specification	Units	Remarks
Frequency Range	f _{nom}	12000 to 54000	kHz	
Overtone Order	OT	Fundamental	—	
Load Capacitance	CL	8	pF	Please contact us for other Load Capacitance.
Frequency Tolerance	f _{tol}	±50	×10 ⁻⁶	25°C±3°C
Motional Series Resistance	R1	Table 1	ohm	
Drive Level	DL	Table 2	μW	
Operating Temp. Range	T _{use}	-40 to +125	°C	
Storage Temp. Range	T _{stg}	-40 to +150	°C	
Frequency Temp. Characteristics	f _{tem}	±150	×10 ⁻⁶	Freq. deviation from the value at 25°C

Please contact us for other specifications.

Table1 Motional Series Resistance

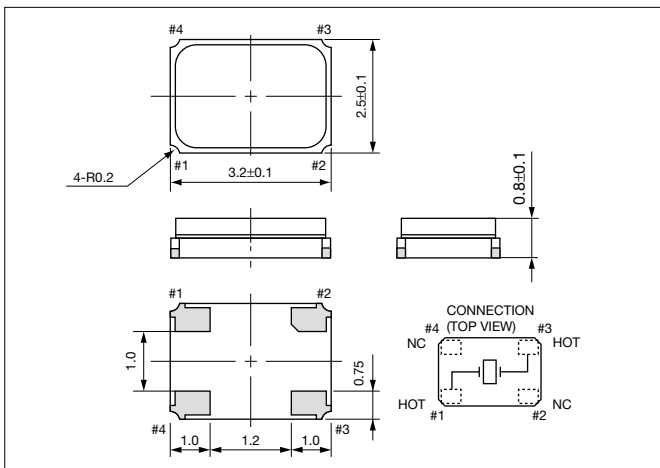
Frequency Range	Motional Series Resistance
12000 ≤ f _{nom} < 13560 kHz	200Ω max.
13560 ≤ f _{nom} < 16000 kHz	120Ω max.
16000 ≤ f _{nom} ≤ 54000 kHz	100Ω max.

Table2 Level of Drive

Frequency Range	Level of Drive
12000 ≤ f _{nom} ≤ 54000 kHz	10μW (200μW max.)

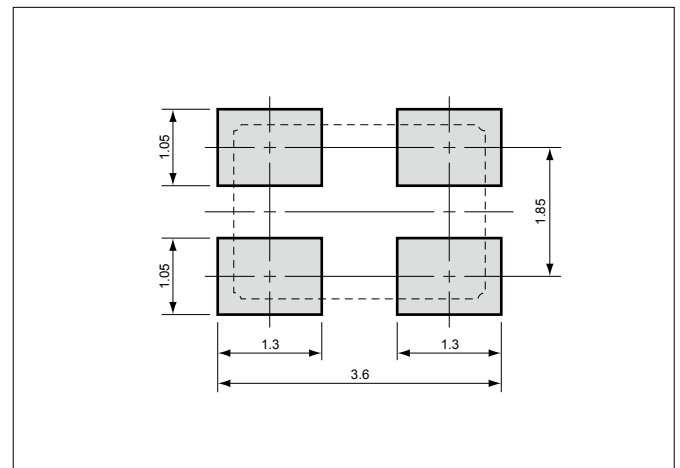
Dimensions

(Unit: mm)



Recommended Land Pattern

(Unit: mm)



Mouser Electronics

Authorized Distributor

Click to View Pricing, Inventory, Delivery & Lifecycle Information:

AVX:

[CX3225CA20000D0PSWZ1](#) [CX3225CA09843D0HSSZ1](#) [CX3225CA10000D0HSSZ1](#) [CX3225CA12000D0HSSZ1](#)
[CX3225CA13560D0HSSZ1](#) [CX3225CA16000D0HSSZ1](#) [CX3225CA16000H0HSSZ1](#) [CX3225CA20000D0HSSZ1](#)
[CX3225CA24000D0HSSZ1](#) [CX3225CA25000D0HSSZ1](#) [CX3225CA26000D0HSSZ1](#) [CX3225CA27000D0HSSZ1](#)
[CX3225CA28636D0HSSZ1](#) [CX3225CA30000D0HSSZ1](#) [CX3225CA32000D0HSSZ1](#) [CX3225CA40000D0HSSZ1](#)
[CX3225CA20000D0HSSCC](#) [CX3225CA26000D0HSSCC](#) [CX3225CA16000H0HSSCC](#) [CX3225CA09843D0HSSTT](#)
[CX3225CA10000D0HSSTT](#) [CX3225CA13560D0HSSCC](#) [CX3225CA28636D0HSSCC](#) [CX3225CA24000D0HSSCC](#)
[CX3225CA30000D0HSSCC](#) [CX3225CA25000D0HSSCC](#) [CX3225CA12000D0HSSCC](#) [CX3225CA40000D0HSSCC](#)
[CX3225CA16000D0HSSCC](#) [CX3225CA27000D0HSSCC](#) [CX3225CA32000D0HSSCC](#) [CX3225CA12000P0HSTC1](#)
[CX3225CA25000P0HPQCC](#) [CX3225CA12000P0HPQCC](#) [CX3225CA48000P0HPQCC](#) [CX3225CA12000F0KFQCC](#)
[CX3225CA16000P0HPQCC](#)