

P	LTR	DESCRIPTION	DATE	DWN	APVD
	A	TE STANDARD UPDATED	26JUL2024	KS	RB

EC No. 22779 22880	<h2>Emergency Switch</h2>	Page 1 of 2
--------------------------	---------------------------	-------------

Mounting Dimensions  
 $\phi 30.5^{+0.2}$   
 $29^{+0.2}$

$\phi 35$   
 $48 \pm 1$

21 ± 0.5 (rest position)  
 2.5 ± 0.5 (pressure point)  
 5 ± 0.5 (snap-in point)  
 25 ± 0.5  
 30 ± 1  
 4.8 ± 1

$\phi 30$

plug and socket device  
 6-pol in accordance to  
 DIN 72585 / ISO 15170

Circuit Diagram:

6 (C) — 7 (NO)  
 4 (C) — 5 (NO)  
 3 (C) — 2 (NO)

Date	Name	mm	Scale		Drawing No: ES-2012-T111
Create 24.11.2014	Drech	mm	1:1		
Edited 07.10.2019	Hamar	General Tolerances DIN ISO 2768 cl.			
Check 09.10.2019	Baumg	NSN:			

EC No. 22779 22880	<h2>Emergency Switch</h2>	Page 2 of 2
--------------------------	---------------------------	-------------

### Technical Data

**Construction**

Material socket ..... PA GF RAL 1003, UL 94 V0  
 Material button ..... PA GK RAL 3000, UL 94 HB  
 Protection interior ..... IP67 IEC 60529  
 connector (in rated condition) ..... IP67/ IP6K9K IEC 60529

Shock resistance ..... ISO 16750-3; 50g/ 6ms half sinus  
 Vibration resistance ..... ISO 16750-3; Test VII  
 Climatic resistance ..... IEC 60068-2-38  
 Chemical resistance ..... ISO 16750-5, Code Z  
 Temperature range ..... -40°C to +85°C  
 Torque M30x1.5 max. .... 6 Nm  
 Weight ..... ca. 45g

**Mechanical Data**

Locking (turn to reset) ..... EN 60947-5-5  
 Positive opening operation (NO) ..... EN 60947-5-1  
 Switching sequence ..... BBM - Break before make  
 Operating force max. .... 20-50 N  
 Torque knob max. .... 3 Nm  
 Current carrying party ..... Cu-Alloy  
 Contact material ..... Ag-Alloy  
 Mechanical life ..... 40 000 cycles

**Electrical Data**

Voltage range ..... 9VDC to 32VDC  
 Nominal voltage ..... 12VDC / 24VDC  
 Dielectric withstanding voltage ..... 1050 VAC for 1 min.  
 contact resistance ..... max. 50 mOhm  
 Insulation resistance ..... > 100 MOhm at 500 VDC  
 Continuous current ..... 10mA to 10A  
 Current max. .... 10.1 A  
 Switching capacity min. .... 12 VDC, 10mA

Electrical life

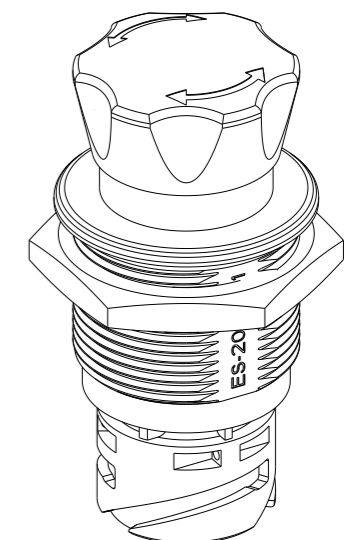
- at 10 A / 28 VDC ohmic load ..... 10 000 cycles
- at 5 A / 28 VDC ohmic load ..... 40 000 cycles
- at 2 A / 28 VDC ohmic load ..... 40 000 cycles

Short circuit protection ..... Automotive fast-acting fuse 10A

Date	Name	mm	Scale		Drawing No: ES-2012-T111
Create 24.11.2014	Drech	mm	1:1		
Edited 07.10.2019	Hamar	General Tolerances DIN ISO 2768 cl.			
Check 09.10.2019	Baumg	NSN:			

NOTES  
Bemerkungen

1 TE-CONNECTIVITY ORDER-NUMBER  
TE-Connectivity Bestellnumm



1	K1152994	A	EMERGENCY SWITCH Not-Halt Schalter	1
TE ORDER-NO.	REV.		DESCRIPTION	ITEM NO



THIS DRAWING IS A CONTROLLED DOCUMENT.		DWN 24NOV2014 C.Drechster
		CHK 07OCT2019 E.Hamarat
		APVD 09OCT2019 R.Baumgartner
DIMENSIONS:		NAME
mm	TOLERANCES UNLESS OTHERWISE SPECIFIED: DIN ISO 2768 cl	EMERGENCY SWITCH Not-Halt Schalter
	0 PLC ±	PRODUCT SPEC
	1 PLC ±	APPLICATION SPEC
	2 PLC ±	WEIGHT
	3 PLC ±	CUSTOMER DRAWING
	4 PLC ±	
	ANGLES ±	
MATERIAL	FINISH	

SIZE	CAGE CODE	DRAWING NO	RESTRICTED TO
A3	00779	ES-2012-T111	-
SCALE		SHEET	REV
		1 OF 1	A