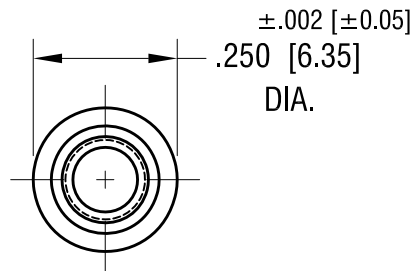
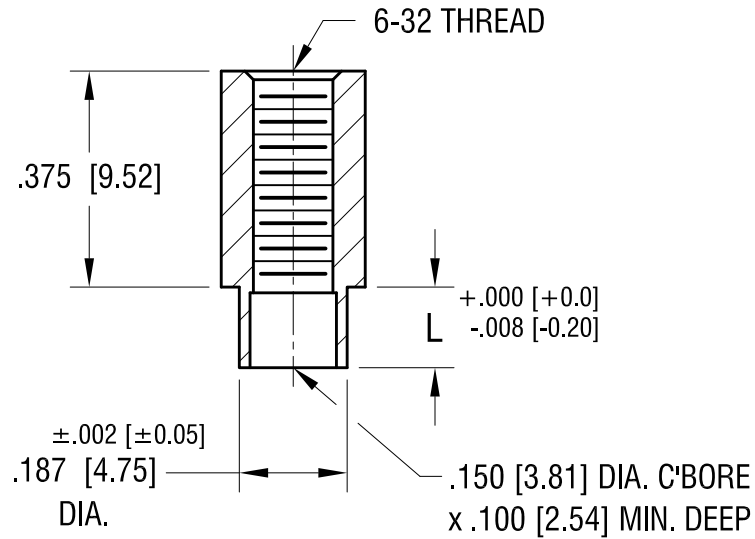


THIS DOCUMENT IS THE PROPERTY OF
KEYSTONE ELECTRONICS CORP. AND
SHALL NOT BE REPRODUCED, DISTRIBUTED
OR USED AS A BASIS FOR MANUFACTURE
WITHOUT PRIOR WRITTEN PERMISSION
FROM KEYSTONE ELECTRONICS CORP.

ACTUAL SIZE



P/N 1561B



PART NO.	'L' DIM.
1561B	.109 [2.77]
1561C	.140 [3.56]
1561D	.171 [4.34]

KEYSTONE ELECTRONICS CORP.

www.keyelco.com • NEW HYDE PARK NY 11040 • Tel (516)328-7500

PART NAME

SWAGE THREADED STANDOFF

MATERIAL

BRASS

FINISH

DUCTILE
NICKEL PLATE

DRN BY

BOONE

DATE

5.14.02

APP'D

LN

SCALE

3X

11.22.21 CHANGE AS PER ECN 21-168

A

TOLERANCES

INCH [MM]
DECIMAL ±.005 [±0.13]

CODE

DWG NO.

ANGULAR ± 1°

C

1561-

UNLESS OTHERWISE SPECIFIED

DATE

DESCRIPTION

REV.