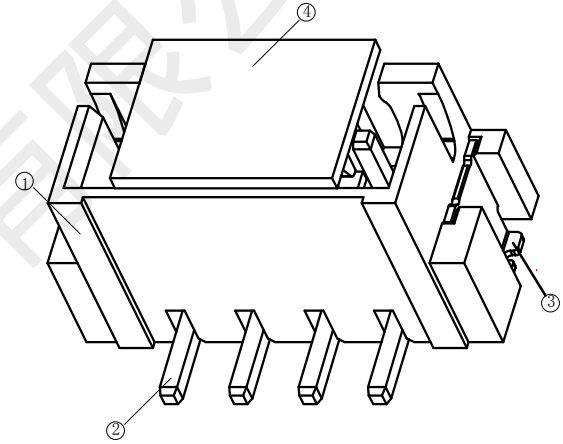
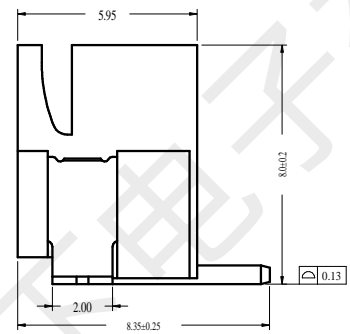
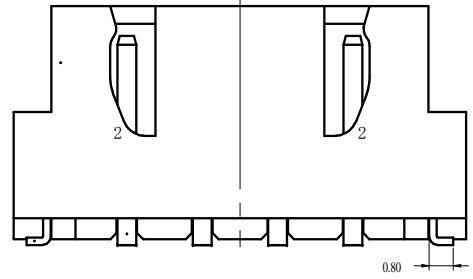
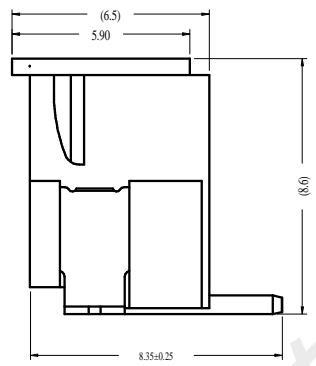
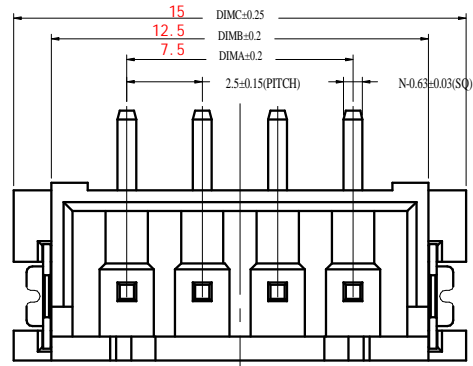
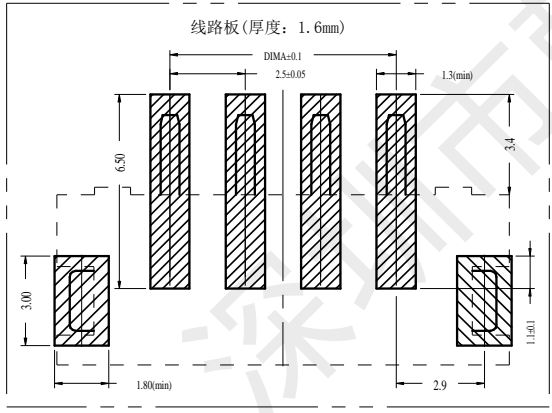


REV.	EC#	DESCRIPTION	DATE	DRAWN	CHECK	APPROVED
1.00		初版发行	2020-05-22			



Pin	DIMA	DIM.B	DIM.C
15	35.00	40.00	42.50
14	32.50	37.50	40.00
13	30.00	35.00	37.50
12	27.50	32.50	35.00
11	25.00	30.00	32.50
10	22.50	27.50	30.00
9	20.00	25.00	27.50
8	17.50	22.50	25.00
7	15.00	20.00	22.50
6	12.50	17.50	20.00
5	10.00	15.00	17.50
4	7.50	12.50	15.00
3	5.00	10.00	12.50
2	2.50	7.50	10.00

- 1.工作温度: -25℃~85℃.
- 2.适用线规: AWG#30~#22.
- 3.额定电压: 250V DC/AC(rms).
- 4.额定电流: 3.0A.
- 5.接触电阻: ≤20m .
- 6.耐压值: 1000V AC/minute.
- 7.绝缘电阻: ≥1000M .



GENERAL TOLERANCES			
DIM	TOL	DIM	DEG
X		X°	±3.00°
X.X	±0.35	X.X°	±2.00°
X.XX	±0.25	X.XX°	±1.00°
X.XXX	±0.15	X.XXX°	

NO.	NAME	QTY	DESCRIPTION
4	Cap	1 PCS	材质:LCP (UL94V-0),颜色:本色或黑色
3	FITTING NAIL	2 PCS	材质:磷青铜,电镀:镀亮锡60u"MIN
2	PIN	n PCS	材质:黄铜,电镀:镀亮锡60u"MIN
1	Housing	1 PCS	材质:LCP (UL94V-0),颜色:本色或黑色

韩下 HANXIA 深圳市韩下电子有限公司

DRAW :	李春风	2020-05-22	TITLE:	HX 2.54-4P LT	DRAW NAME:	WAFER 2.5LTA NX 2	
DESIGN:			SERIES:	2021 SERIES	DRAW NO.		
CHECK:	钟华华	2020-05-22	P/N:		UNIT:	SHEET:	
APPROVED	罗孝金	2020-05-22	REV. 1.00	SCALE N/A	mm	1/1	+
CUSTOMER DRAWING							