

SAC-M12-EXCLIP-M - Locking clip



1558988

<https://www.phoenixcontact.com/us/products/1558988>

Please be informed that the data shown in this PDF document is generated from our online catalog. Please find the complete data in the user documentation. Our general terms of use for downloads are valid.

Locking clip for the pin side of sensor/actuator cables with M12 connector and M12 connectors for assembly, for knurl diameter: 15 mm or for Allen key with a wrench size of 14 mm, prevents the disconnection of plug-in connections without tools



Commercial data

Item number	1558988
Packing unit	10 pc
Minimum order quantity	10 pc
Sales key	BF46
Product key	BF1ZVX
GTIN	4046356299152
Weight per piece (including packing)	2.23 g
Weight per piece (excluding packing)	1.79 g
Customs tariff number	39269097
Country of origin	CN

SAC-M12-EXCLIP-M - Locking clip



1558988

<https://www.phoenixcontact.com/us/products/1558988>

Technical data

Product properties

Product type	Safety locking
--------------	----------------

Material specifications

Flammability rating according to UL 94	HB
Material for screw connection	TPE-U

Environmental and real-life conditions

Ambient conditions

Ambient temperature (operation)	-40 °C ... 65 °C (Locking clip)
	-40 °C ... 65 °C (for installation)
Ambient temperature (storage/transport)	-40 °C ... 105 °C

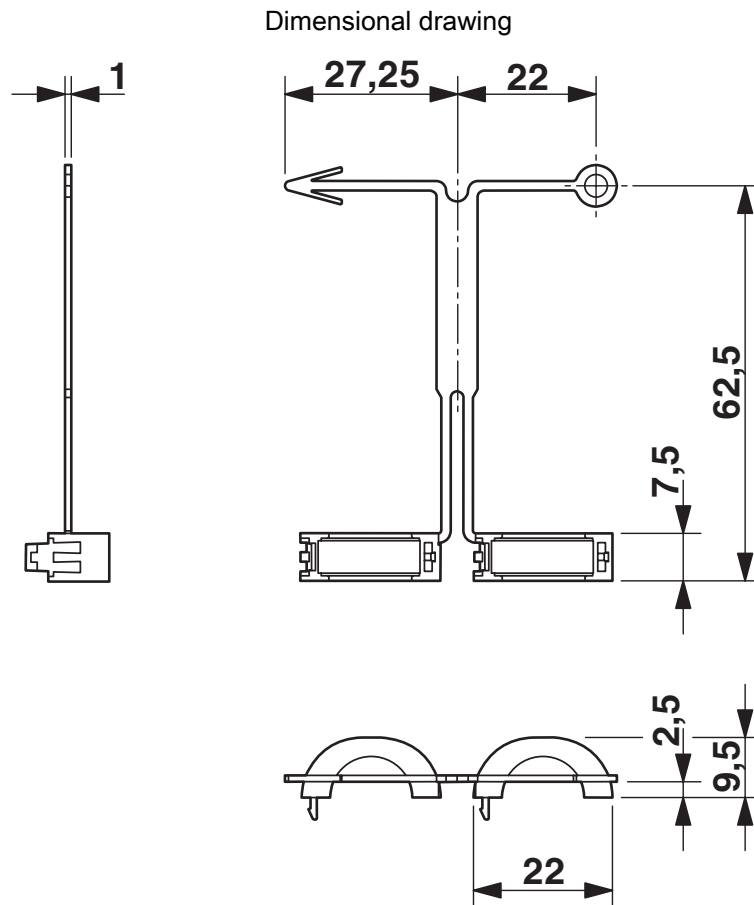
SAC-M12-EXCLIP-M - Locking clip

1558988

<https://www.phoenixcontact.com/us/products/1558988>



Drawings



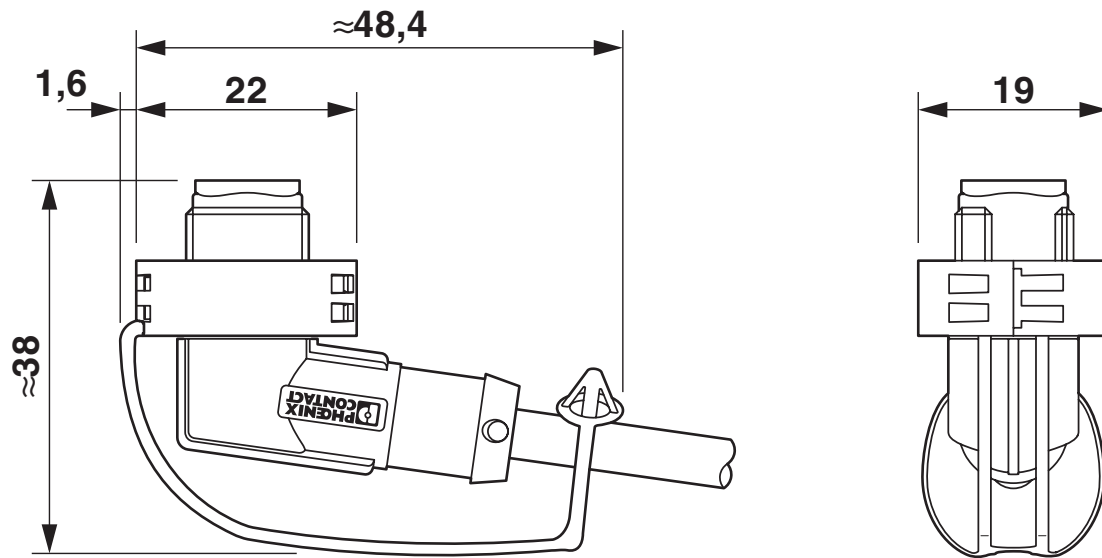
SAC-M12-EXCLIP-M - Locking clip

1558988

<https://www.phoenixcontact.com/us/products/1558988>

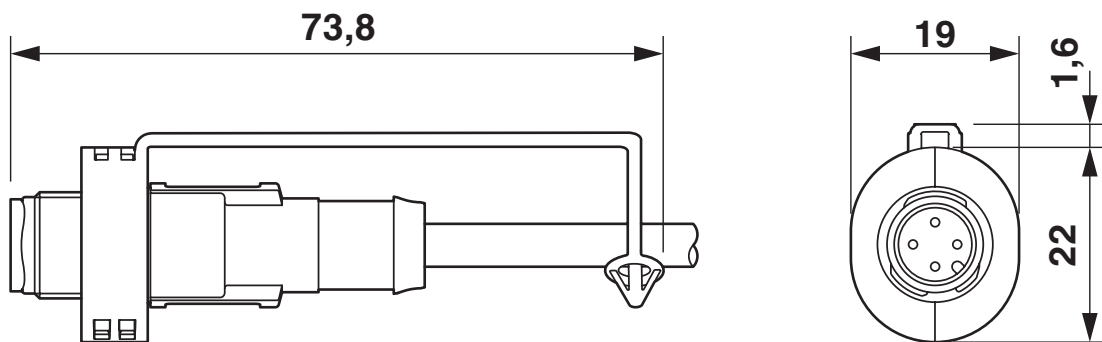


Dimensional drawing



Locking clip mounted on angled M12 connector (not supplied as standard)

Dimensional drawing



Locking clip mounted on straight M12 connector (not supplied as standard)

SAC-M12-EXCLIP-M - Locking clip



1558988

<https://www.phoenixcontact.com/us/products/1558988>

Classifications

ECLASS

ECLASS-11.0	27440192
ECLASS-12.0	27440192
ECLASS-13.0	27440192

ETIM

ETIM 9.0	EC002943
----------	----------

UNSPSC

UNSPSC 21.0	39121400
-------------	----------

SAC-M12-EXCLIP-M - Locking clip



1558988

<https://www.phoenixcontact.com/us/products/1558988>

Environmental product compliance

EU RoHS

Fulfills EU RoHS substance requirements	Yes, No exemptions
---	--------------------

China RoHS

Environment friendly use period (EFUP)	EFUP-E
	No hazardous substances above the limits

EU REACH SVHC

REACH candidate substance (CAS No.)	No substance above 0.1 wt%
-------------------------------------	----------------------------

Phoenix Contact 2024 © - all rights reserved
<https://www.phoenixcontact.com>

Phoenix Contact USA
586 Fulling Mill Road
Middletown, PA 17057, United States
(+717) 944-1300
info@phoenixcon.com