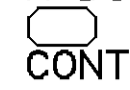
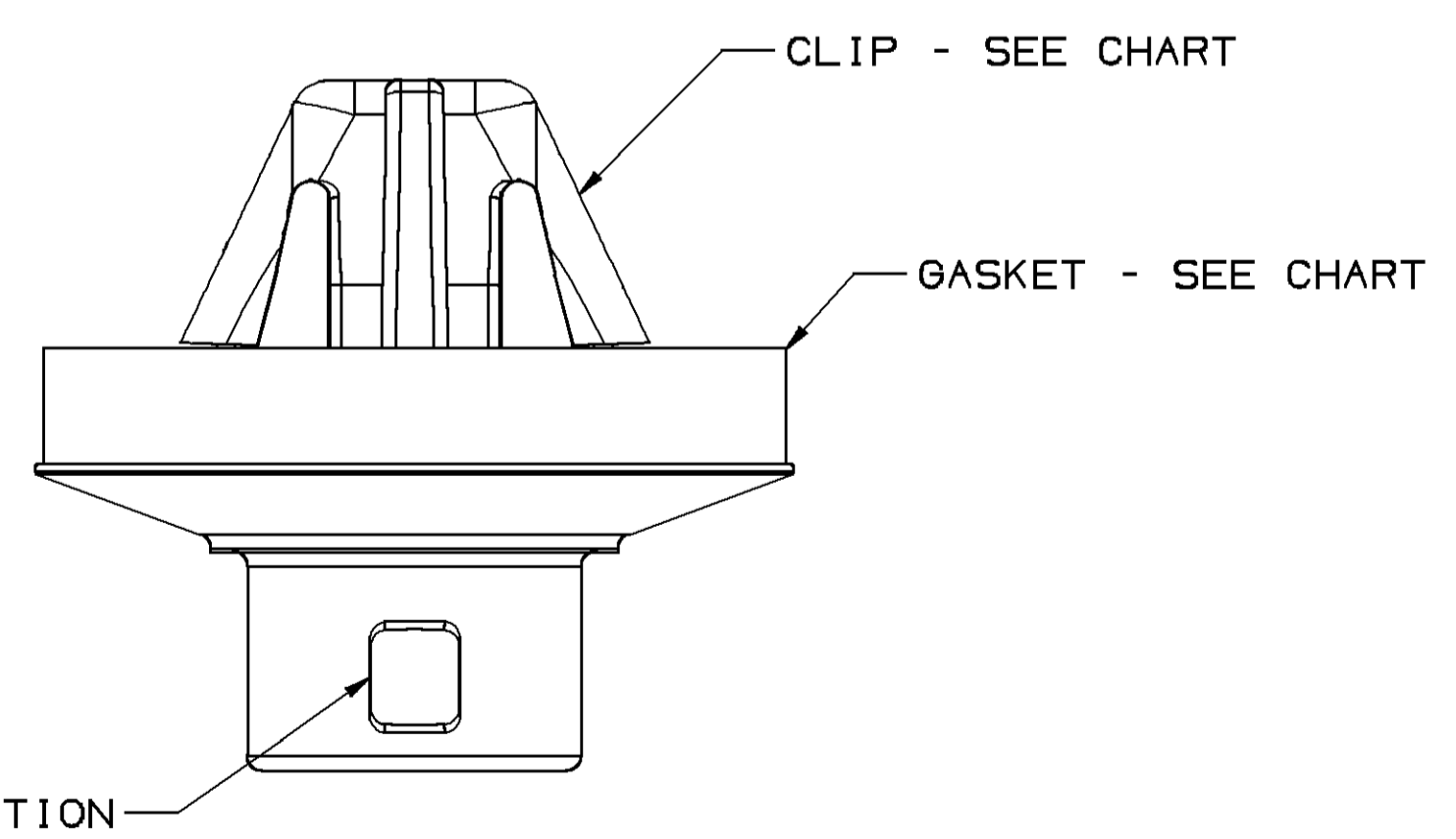
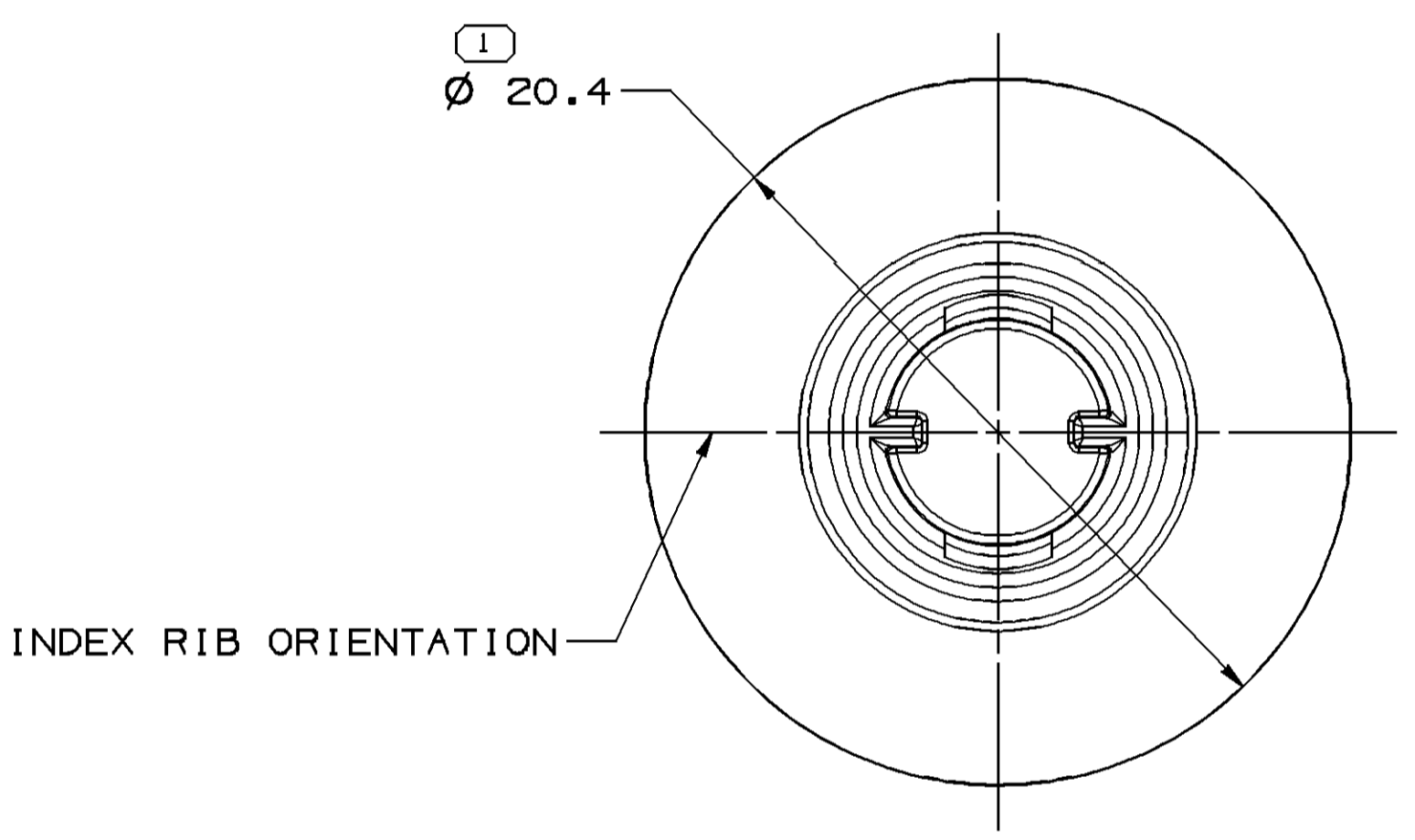
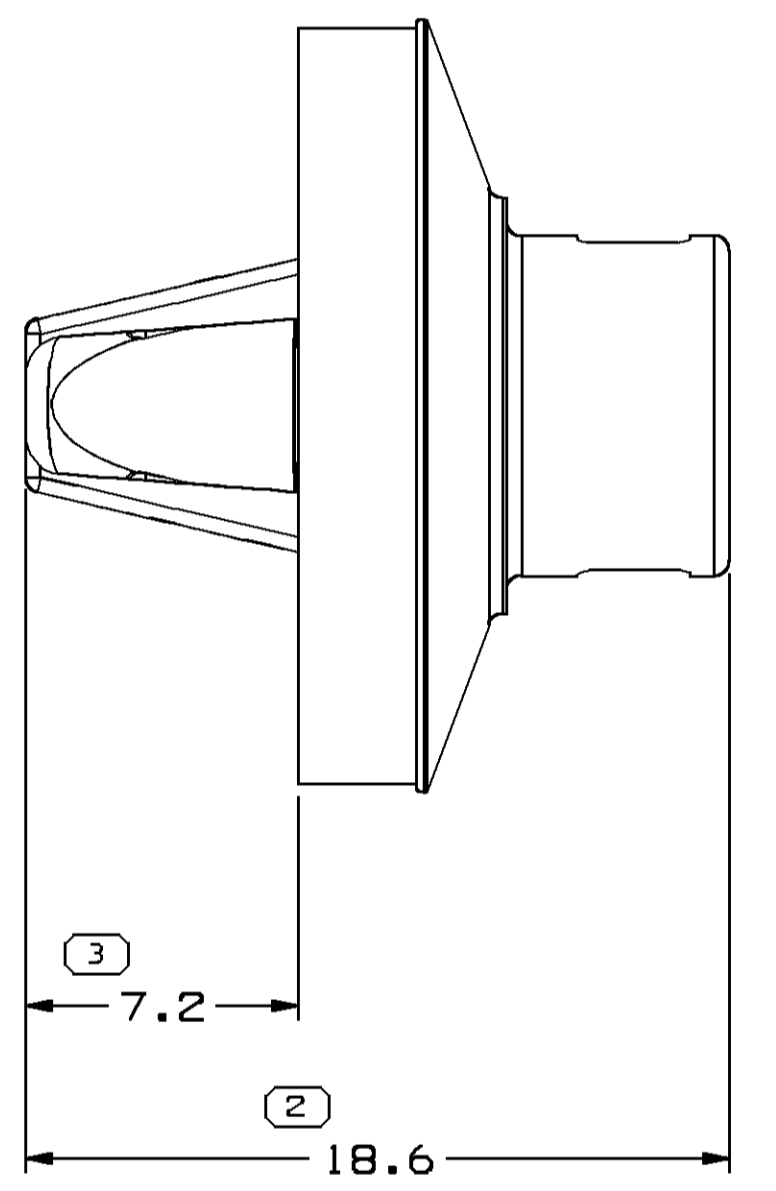
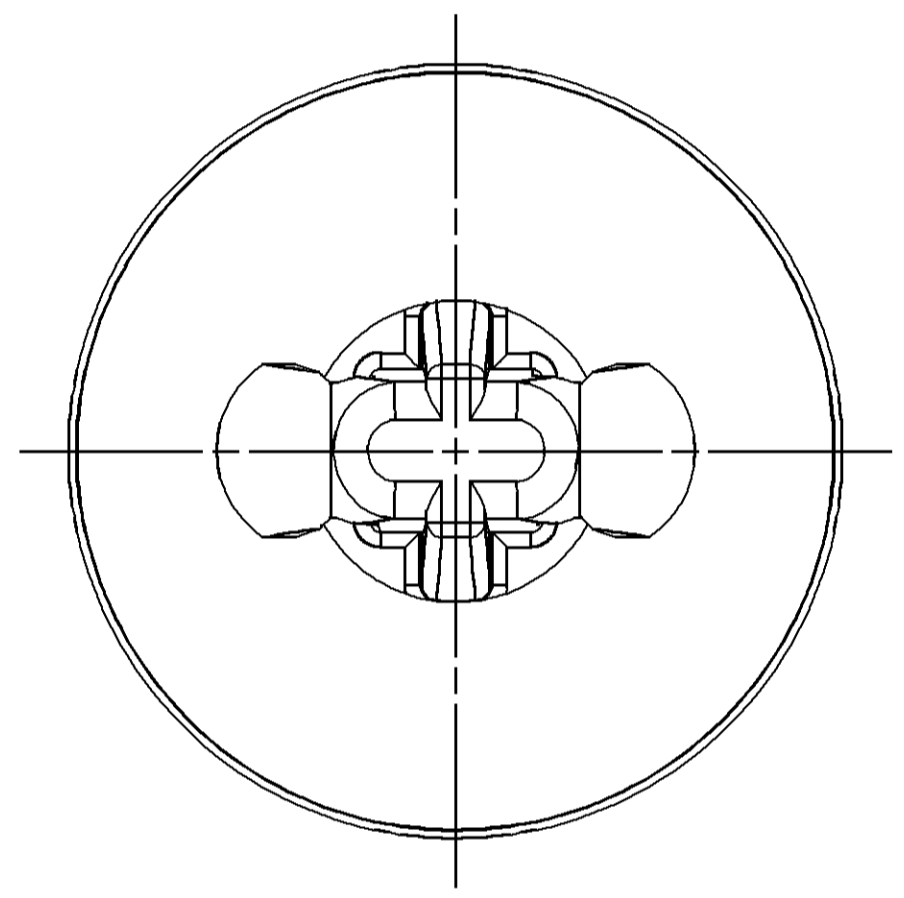
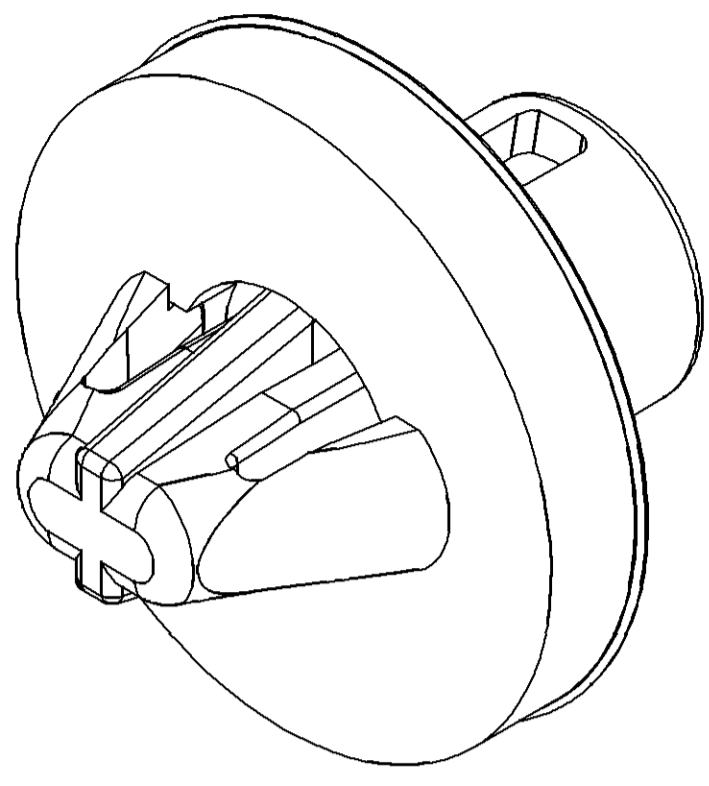
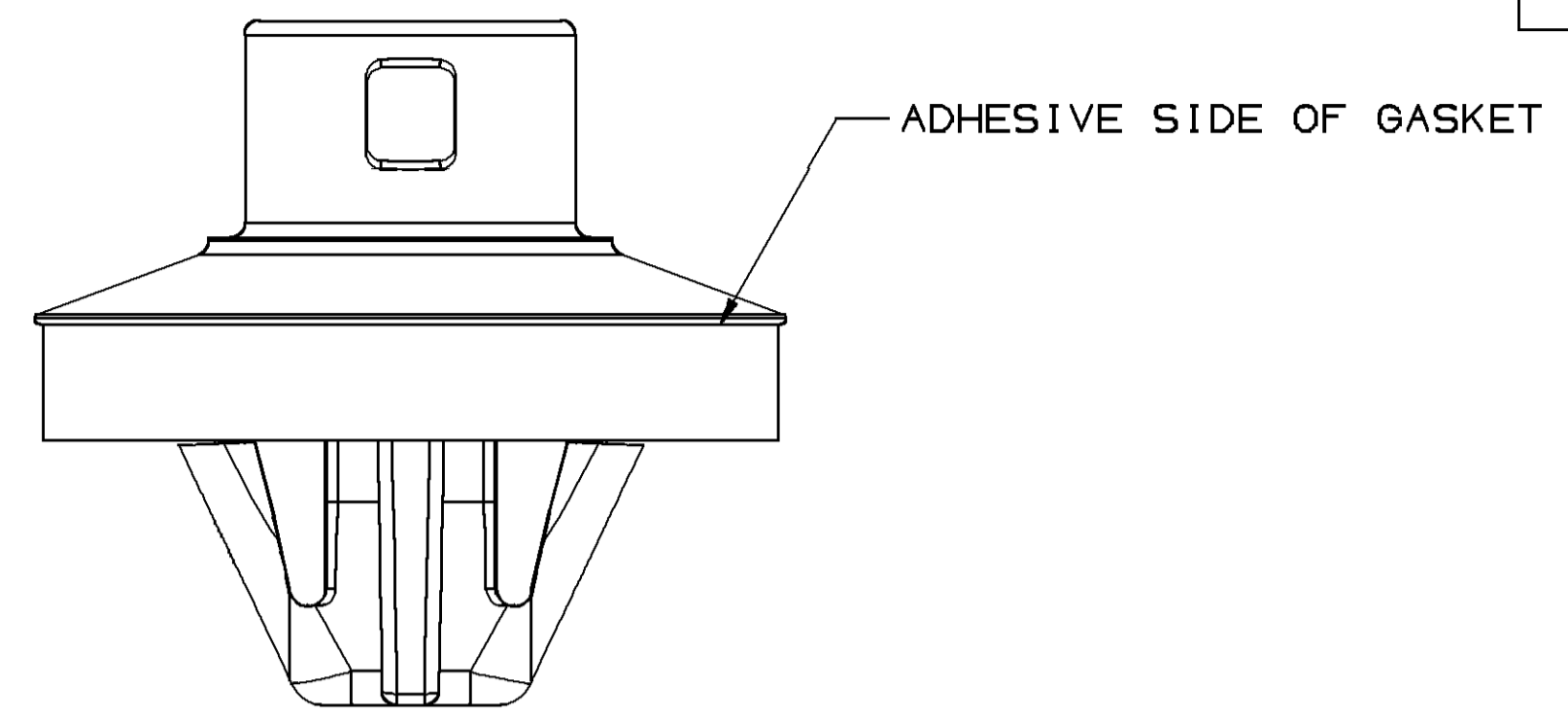


SYMBOL DEFINITION		
A DIMENSION WITHOUT AN INSPECTION REPORT SYMBOL  DOES NOT REQUIRE INSPECTION. IT MAY BE CONTROLLED ON THE INDIVIDUAL COMPONENT DRAWING.	TOTAL NO OF INSPECTIONS REQUIRED	3
	LAST NO. USED	3

MISSING SYMBOLS					DWG STATUS			REVISION HISTORY			AUTH	DR	APVD1	APVD2
DATE	STG	REV	N/P	CHG	ZONE									
12AU13	R	01	-	-		WAS PE2590B6 AND RELEASED			423475	JAR	JAR	SJS		
220C13	R	02	-	-		REVISED GRAPHICS			424022	KYT	KYT	SJS		



NOTES

- UNLESS OTHERWISE SPECIFIED AND/OR INDICATED:
DIMENSIONS ARE TO FACE OF VIEW SHOWN AND AUTOMATICALLY ROUNDED BY COMPUTER FOR INSPECTION (SEE MATH MODEL FOR PRECISE DIMENSIONS). FOR ALL OTHER DIMENSIONS NOT SHOWN BUT REQUIRED FOR TOOL BUILD, SEE MATH MODEL FOR PRECISE TOOL PATH DATA.
- THIS PRODUCT IS NOT CATEGORIZED AS AN APPEARANCE ITEM. MINOR IMPERFECTIONS INCLUDING, BUT NOT LIMITED TO, FLOW MARKS, COLOR BLEMISHES, GATE VESTIGE, AND SOFT FLASH THAT DO NOT AFFECT THE FIT, FORM, OR FUNCTION OF THE PART ARE PERMISSIBLE PER DPNP-4.7-CS-01.
- THIS PART ACCEPTS THE FOLLOWING COMPONENTS OR EQUIVALENT:
PUSH PIN - 33108391

<small>A LINE DRAWN THROUGH A PART NUMBER INDICATES THAT PHYSICAL PARTS ARE NOT AVAILABLE FOR ORDERING.</small> <small>PART NUMBERS THAT DO NOT HAVE A LINE PRESENT INDICATE THAT PHYSICAL PARTS ARE AVAILABLE FOR ORDERING.</small> <small>CONTACT DELPHI SALES TO ASSURE AVAILABILITY OF PARTS.</small>	
<small>REVISION 2013</small> DWG TYPE PART DRAWING	
<small>UNLESS OTHERWISE SPECIFIED THIS DOCUMENT IS IN ACCORDANCE WITH ASME Y14.5M-1994 AS AMENDED BY THE GM GLOBAL DIMENSIONING AND TOLERANCING ADDENDUM-2001. SEPARATE PATTERNS OF FEATURES MAY BE GAGED SEPARATELY REGARDLESS OF DATUM REFERENCES.</small>	
<small>ALL DIMENSIONS ARE IN MILLIMETERS</small>	
REFERENCE	
<small>THIRD ANGLE PROJECTION</small>	
<small>DO NOT SCALE</small>	
<small>USE MATH DATA</small>	

DELPHI
 DELPHI CORPORATION
 TROY, MI 48098
 COPYRIGHT 2013 DELPHI CORPORATION AND/OR ITS AFFILIATES. ALL RIGHTS RESERVED.
 THIS DRAWING IS THE PROPERTY OF DELPHI CORPORATION AND CONTAINS DELPHI CONFIDENTIAL INFORMATION. THE REPRODUCTION, DISTRIBUTION AND UTILIZATION OF THIS DOCUMENT OR ITS RELATED CAD MATH DATA, AS WELL AS COMMUNICATION OF ANY CONTENT TO OTHERS, WITHOUT EXPRESS AUTHORIZATION, IS PROHIBITED.

DR	DATE
APVD1 JOSE A. RODRIGUEZ	12AU13
APVD2 JOSE A. RODRIGUEZ	12AU13
APVD3 SERGIO M. JUAREZ	15AU13
APVD4	
APVD5	

SUBSTANCES OF CONCERN AND RECYCLED CONTENT PER DELPHI 10949001

MATERIAL SEE DRAWING

DRAWING NAME
ASM MOUN CLIP PUSH PIN

DRAWING NUMBER
33108394

SIZE	SCALE	FRAME NO	SHEET NO	STG	REV	N/P
A1	5:1	1 OF 1	1 OF 1	R	02	-

33108394	33108392	13754700
PART NO	CLIP	GASKET

<small>(1) PROCESS SENSITIVE DIMENSION</small>	
<small>DIMENSIONS ENCLOSED IN () INDICATE REFERENCE DIMENSIONS AND NO TOLERANCE LIMITS ARE ESTABLISHED</small>	
<small>TOLERANCE UNLESS OTHERWISE SPECIFIED</small>	
<small>±0.15</small>	<small>±0.2</small>
<small>±0.3</small>	<small>±0.4</small>
<small>±0.5</small>	<small>±0.6</small>
<small>±0.8</small>	<small>±1</small>
<small>±1.2</small>	<small>±1.6</small>

Mouser Electronics

Authorized Distributor

Click to View Pricing, Inventory, Delivery & Lifecycle Information:

[Aptiv:](#)

[33108394](#)