

VS-PPC-J-1226-1227-1021-0,2 - Y distributor



1404812

<https://www.phoenixcontact.com/us/products/1404812>

Please be informed that the data shown in this PDF document is generated from our online catalog. Please find the complete data in the user documentation. Our general terms of use for downloads are valid.

PROFINET Y distributor with assembled power line, 5-pos., IP65/IP67, 7/8" connector with metal housing on 2x socket in metal housing, cable length: 0.2 m



Commercial data

| | |
|--------------------------------------|---------------------|
| Item number | 1404812 |
| Packing unit | 1 pc |
| Minimum order quantity | 1 pc |
| Product key | ABNOIA |
| Catalog page | Page 369 (C-2-2017) |
| GTIN | 4046356320764 |
| Weight per piece (including packing) | 339.9 g |
| Weight per piece (excluding packing) | 339.9 g |
| Country of origin | DE |

1404812

<https://www.phoenixcontact.com/us/products/1404812>

Technical data

Product properties

| | |
|---------------------|------------------------|
| Product type | Distributor with cable |
| Number of positions | 5 |
| Shielded | no |

Material specifications

| | |
|--|--------------------|
| Flammability rating according to UL 94 | V0 |
| Housing material | Zinc die-cast |
| Outer sheath, material | PVC |
| Conductor material | Bare Cu litz wires |

Electrical properties

| | |
|-----------------------|------|
| Rated voltage (III/3) | 24 V |
| Rated current | 16 A |

Mechanical properties

Mechanical data

| | |
|-----------------------------|-------|
| Insertion/withdrawal cycles | ≤ 100 |
|-----------------------------|-------|

Signaling

| | |
|------------------------|----|
| Status display | No |
| Status display present | No |

Connector

Connection 1

| | |
|------|--------------------------|
| Type | Socket straight 7/8"-UNF |
|------|--------------------------|

Connection 2

| | |
|--------------|----------------------|
| Type | Socket straight MSTB |
| Locking type | Push Pull |

Cable/line

PVC gray [PVC]

| | |
|---------------------------|----------------------|
| Shielded | no |
| Cable type | PVC gray |
| Cable type (abbreviation) | PVC |
| External cable diameter | 8.1 mm |
| Outer sheath, material | PVC |
| External sheath, color | silver-grey RAL 7001 |
| Conductor material | Bare Cu litz wires |
| Conductor cross section | 1.5 mm ² |

1404812

<https://www.phoenixcontact.com/us/products/1404812>

| | |
|---|--------|
| Smallest bending radius, fixed installation | 40 mm |
| Smallest bending radius, movable installation | 150 mm |

Environmental and real-life conditions

Ambient conditions

| | |
|---------------------------------|--|
| Degree of protection | IP65 |
| | IP67 |
| | IP65/IP67 |
| Ambient temperature (operation) | -40 °C ... 70 °C (cable, fixed installation) |
| | -5 °C ... 70 °C (Cable, flexible installation) |
| | Plug / socket |

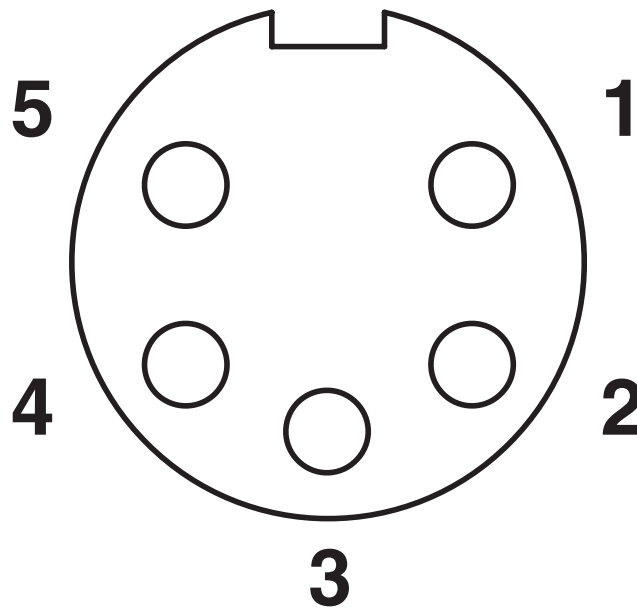
VS-PPC-J-1226-1227-1021-0,2 - Y distributor

1404812

<https://www.phoenixcontact.com/us/products/1404812>

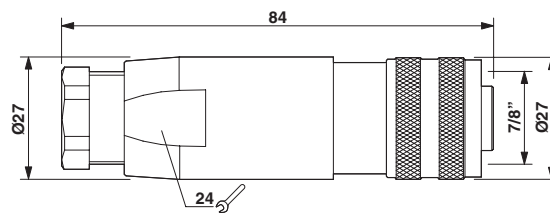
Drawings

Schematic diagram



Pin assignment, socket, 7/8"-16UNF, 5-pos., view of female side

Dimensional drawing



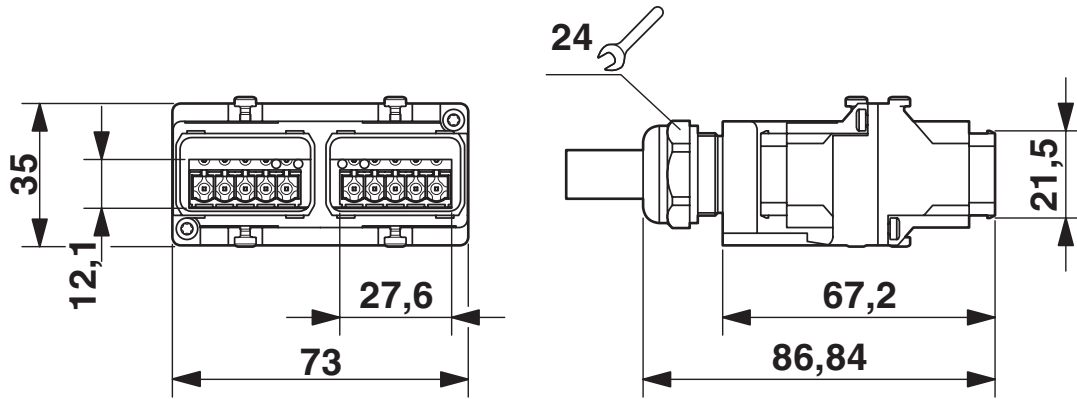
Socket 7/8"-16UNF, straight, Pg13

VS-PPC-J-1226-1227-1021-0,2 - Y distributor

1404812

<https://www.phoenixcontact.com/us/products/1404812>

Dimensional drawing



1404812

<https://www.phoenixcontact.com/us/products/1404812>

Environmental product compliance

China RoHS

| | |
|--|---|
| Environment friendly use period (EFUP) | EFUP-50 |
| | An article-related China RoHS declaration table can be found in the download area for the respective article under "Manufacturer declaration". For all articles with EFUP-E, no China RoHS declaration table issued and required. |

EU REACH SVHC

| | |
|-------------------------------------|----------------------------|
| REACH candidate substance (CAS No.) | No substance above 0.1 wt% |
|-------------------------------------|----------------------------|

Phoenix Contact 2024 © - all rights reserved
<https://www.phoenixcontact.com>

Phoenix Contact USA
586 Fulling Mill Road
Middletown, PA 17057, United States
(+717) 944-1300
info@phoenixcon.com