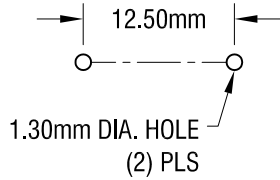
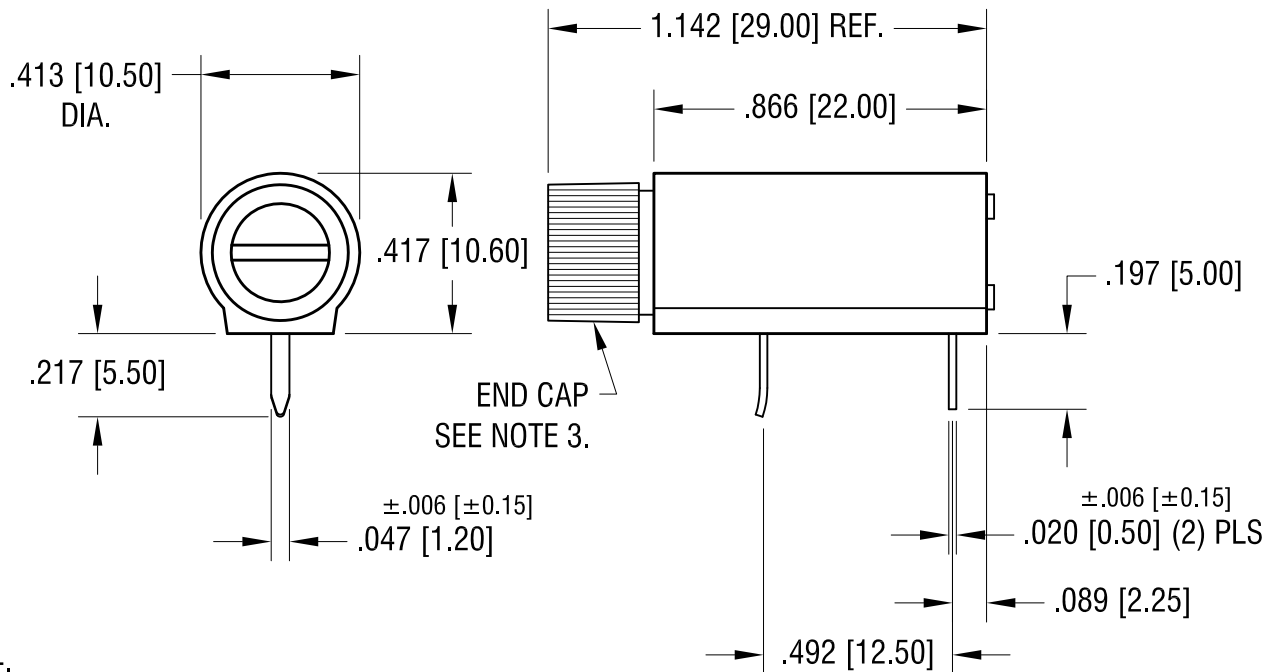
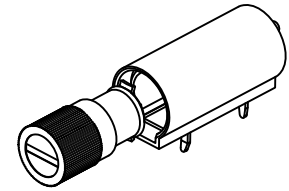


MOUNTING DETAIL



THIS DOCUMENT IS THE PROPERTY OF KEYSTONE ELECTRONICS CORP. AND SHALL NOT BE REPRODUCED, DISTRIBUTED OR USED AS A BASIS FOR MANUFACTURE WITHOUT PRIOR WRITTEN PERMISSION FROM KEYSTONE ELECTRONICS CORP.

ACTUAL SIZE



NOTE:

1. MAT'L: PBT
2. CONTACTS: MAT'L: BRASS, TIN PLATE
3. END CAP AND BODY SUPPLIED UNASSEMBLED
4. SUITABLE RATE CURRENT: 10A 250V AC Max.
5. DIELECTRIC STRENGTH FOR 60 SECONDS: AC3000V Min.
6. CONTACT RESISTANCE AT 1A DC: 5mΩ Max.
7. INSULATION RESISTANCE AT 500V DC: 100MΩ Min.

KEYSTONE ELECTRONICS CORP.

www.keyelco.com • NEW HYDE PARK NY 11040 • Tel (516)328-7500

PART NAME

METRIC 5mm x 20mm PC FUSE HOLDER

MATERIAL

AS NOTED

FINISH

AS NOTED

DRN BY

NT

DATE

1.20.10

APP'D

RH

SCALE

2X

TOLERANCES

INCH [MM]

DECIMAL ±.010 [±0.25]

ANGULAR ± 1°

UNLESS OTHERWISE SPECIFIED

CODE

C

DWG NO.

4525

DATE

DESCRIPTION

REV.