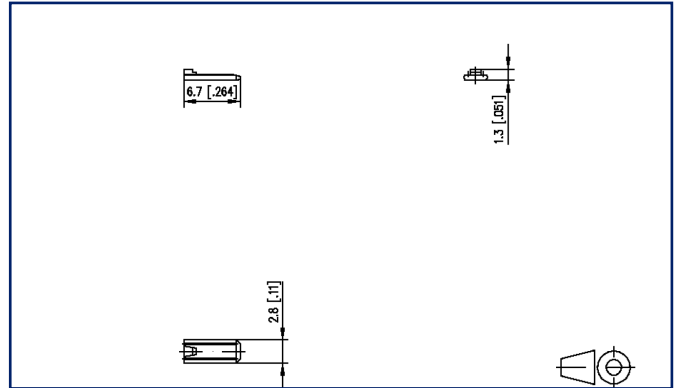


Data sheet**Coding Star for pin header, centerline 3.81 mm**

Page 1/4

P/N
720293-01-22023/06/23
Version: N**Illustrations**

Dimensional drawing



See enlarged drawings at the end of document

Product specification

- The coding pin is inserted into the slots provided in the header. The terminal blocks mating these headers show a coding ridge which has to be removed.
- This method of coding does not result in any circuit loss
- Group of 6 black coding pins



U | Contact

Data sheet

Page 2/4

Coding Star for pin header, centerline 3.81 mm

**P/N
720293-01-2**

2023/06/23
Version: N

Technical Data

Material

insulating material	PA66
Glow-Wire Flammability GWFI	960 °C acc. to IEC 60695-2-12
Glow-Wire Flammability GWIT	775 °C acc. to IEC 60695-2-13



Accessories from

P/N	Designation
311881	PR043xxHBBN Type 188
311882	PR04JxxHBBN Typ 188
311891	PR043xxVBBN Type 189
311892	PR04JxxVBBN Typ 189
311901	PR044xxHBBN Type 190
311902	PR048xxHBBN Typ 190
311911	PR044xxVBBN Type 191
311912	PR048xxVBBN Typ 191
313421	PT093xxHBBN Type 342
313422	PT09JxxHBBN Typ 342
313431	PT093xxVBBN Type 343
313432	PT09JxxVBBN Typ 343
313821	PT094xxHBBN Type 382
313831	PT094xxVBBN Type 383
313832	PT098xxVBBN Typ 383
313881	PR043xxHBBF Type 388
313882	PR04JxxHBBF
313891	PR043xxVBBF Type 389
313892	PR04JxxVBBF
313901	PR044xxHBBF Type 390
313902	PR048xxVBBF Typ 390
313911	PR044xxVBBF Type 391
313912	PR048xxVBBF Typ 391
313921	PT094xxHBBF Type 392
313922	PT098xxHBBF Typ 392
313931	PT094xxVBBF Type 393
313932	PT098xxVBBF Typ 393
313941	PT093xxHBBF Type 394
313942	PT09JxxHBBF
313951	PT093xxVBBF Typ 395
313952	PT09JxxVBBF

Illustrations

Dimensional drawing

