

# PLC-V8C/PT-24DC/SAM2 - Controller



2907443

<https://www.phoenixcontact.com/us/products/2907443>

Please be informed that the data shown in this PDF document is generated from our online catalog. Please find the complete data in the user documentation. Our general terms of use for downloads are valid.



PLC logic stand-alone module, Generation 2, with 16 I/Os, for plug-in connection to eight digital or analog PLC-INTERFACE terminal blocks, cannot be extended, real-time clock, micro USB female connector, accommodates memory module and Bluetooth adapter, Push-in connection

## Commercial data

Item number	2907443
Packing unit	1 pc
Minimum order quantity	1 pc
Sales key	C424
Product key	CK2611
Catalog page	Page 430 (C-5-2019)
GTIN	4055626218182
Weight per piece (including packing)	130.08 g
Weight per piece (excluding packing)	130 g
Customs tariff number	85371098
Country of origin	DE

## Technical data

### Notes

Notes on operation	For proper use, the specifications of the installation directive (see Downloads) must be observed. For applications or use with third-party products, the specifications, and the safety and warning instructions of the respective third-party manufacturer must also be met.
--------------------	--------------------------------------------------------------------------------------------------------------------------------------------------------------------------------------------------------------------------------------------------------------------------------

### Product properties

Product type	Base unit
Product family	PLC logic
Operating mode	100% operating factor

### Data management status

Article revision	05
------------------	----

### Insulation characteristics: Air clearances and creepage distances

Insulation	Basic insulation
Overvoltage category	III
Pollution degree	2

### Electrical properties

#### Air clearances and creepage distances

Rated insulation voltage	50 V
Rated surge voltage	0.8 kV

#### Real-time clock

Realtime clock	yes
Buffer period	96 h (Capacitor)
Accuracy realtime clock	±2 s/d

#### Supply

Supply voltage	24 V DC
Supply voltage range	19.2 V DC ... 26.4 V DC
Typical input current at $U_N$	40 mA
Maximum input current at $U_N$	160 mA
Protective circuit	Reverse polarity protection
	Surge protection

### Input data

#### Digital inputs

Number of inputs	≤ 8 (2 configurable as analog)
Description of the input	EN 61131-2, type 3
Input voltage	24 V DC
Signal level "0" signal	< 5 V

# PLC-V8C/PT-24DC/SAM2 - Controller



2907443

<https://www.phoenixcontact.com/us/products/2907443>

Signal level "1" signal	> 11 V
Input current "0" signal	< 1 mA
Input current "1" signal	2.5 mA
Status display	LED (yellow)

## Analog inputs

Number of inputs	≤ 2 (IN6 and IN7 are configurable as analog)
Input voltage range	0 V ... 10 V
Input resistance	> 3.5 kΩ

## Contact to PLC-INTERFACE

Number of inputs	≤ 8
Description of the input	technical data depends on the PLC-INTERFACE terminal block used
Input voltage	19 V DC
Typical current consumption	4 mA
Input resistance	< 100 mΩ

## Output data

Number of outputs	≤ 8
Nominal output voltage	24 V DC
Nominal current	9 mA

## Connection data

### COMBICON connection

Connection method	Push-in connection
Stripping length	9 mm
Number of connections	1
Number of positions	10
Note	Device supply and 8 x inputs
Conductor cross section rigid	0.14 mm <sup>2</sup> ... 1.5 mm <sup>2</sup>
Conductor cross section flexible	0.14 mm <sup>2</sup> ... 1.5 mm <sup>2</sup>
	0.25 mm <sup>2</sup> ... 0.5 mm <sup>2</sup> (Ferrule with plastic sleeve)
	0.25 mm <sup>2</sup> ... 1.5 mm <sup>2</sup> (Ferrule without plastic sleeve)
Conductor cross section AWG	26 ... 16

### Programming connection

Connection method	Micro USB type B
Number of connections	1

### Memory

Connection method	S-PORT (socket)
Number of connections	1
Number of positions	12
Note	For connecting the memory module

# PLC-V8C/PT-24DC/SAM2 - Controller



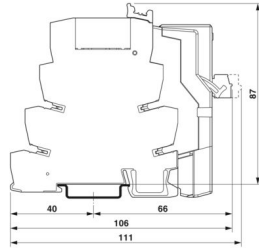
2907443

<https://www.phoenixcontact.com/us/products/2907443>

## Signaling

Status display	LED (green)
----------------	-------------

## Dimensions

Dimensional drawing	
Width	50 mm
Height	48.5 mm
	111 mm (with relay)
Depth	82.5 mm
	87 mm (with relay)

## Material specifications

Color	gray (RAL 7042)
-------	-----------------

## Environmental and real-life conditions

### Ambient conditions

Degree of protection	IP20
Ambient temperature (operation)	-20 °C ... 50 °C
Ambient temperature (storage/transport)	-20 °C ... 70 °C
Max. permissible relative humidity (operation)	95 %

## Approvals

### CE

Certificate	CE-compliant
-------------	--------------

### UL, USA/Canada

Identification	Class I, Div. 2, Groups A, B, C, D T4
----------------	---------------------------------------

### UL, Canada

Identification	Class I, Zone 2, Ex ec IIC Gc T4 X
----------------	------------------------------------

### UL, USA

Identification	Class I, Zone 2, AEx ec IIC T4
----------------	--------------------------------

## Standards and regulations

### Air clearances and creepage distances

Standards/regulations	EN IEC 60664-1
-----------------------	----------------

# PLC-V8C/PT-24DC/SAM2 - Controller



2907443

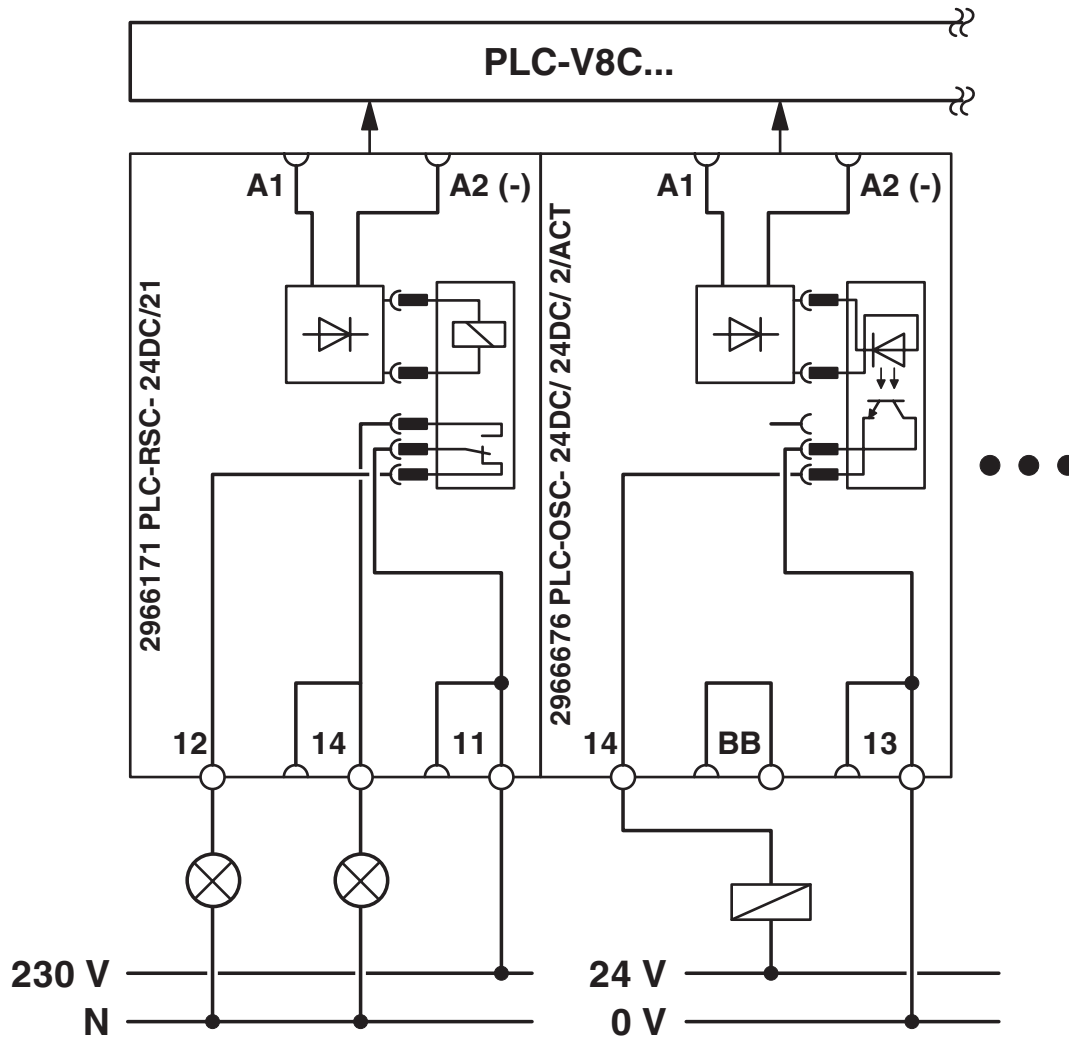
<https://www.phoenixcontact.com/us/products/2907443>

## Mounting

Mounting type	Plug-in mounting
Assembly note	can be plugged onto 8 x PLC-INTERFACE terminal blocks
Mounting position	any

## Drawings

Circuit diagram



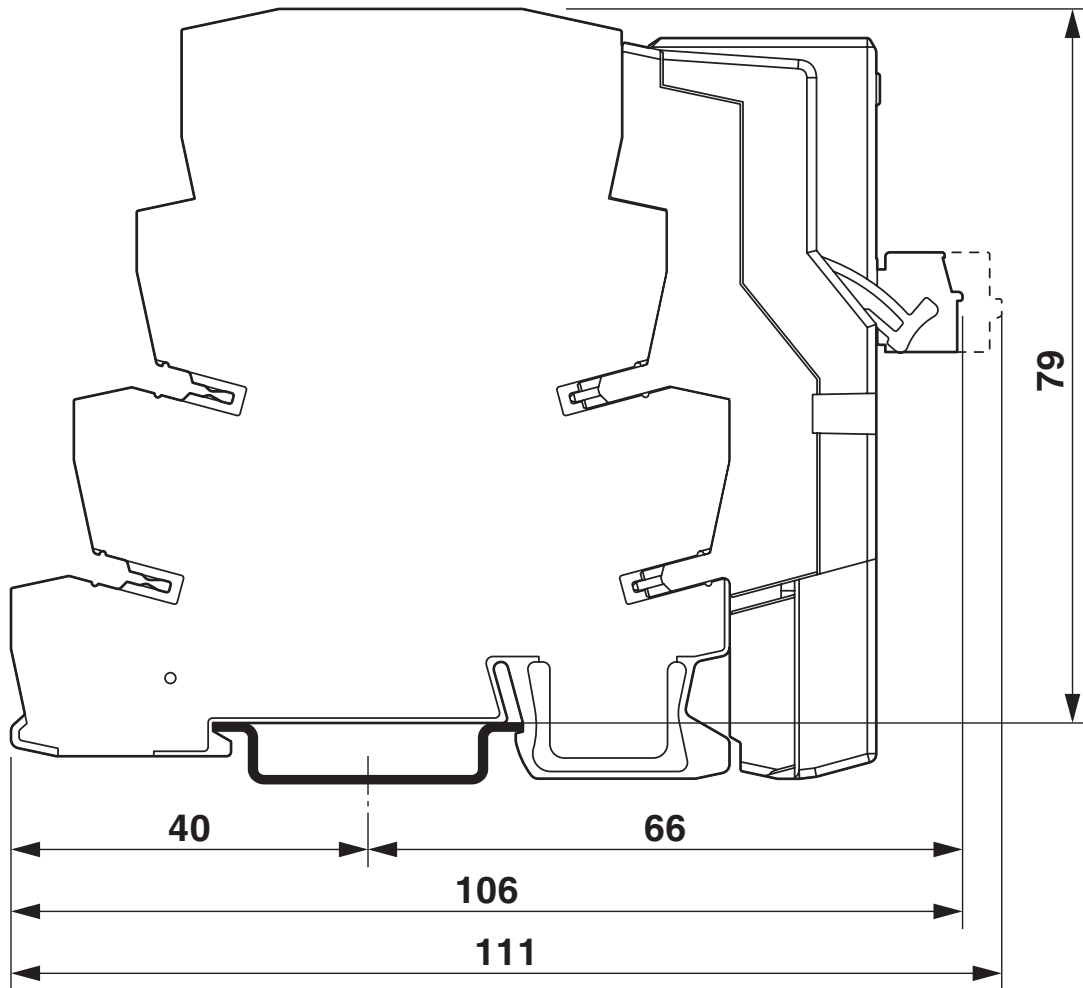
# PLC-V8C/PT-24DC/SAM2 - Controller



2907443

<https://www.phoenixcontact.com/us/products/2907443>

Dimensional drawing



PLC logic with analogue terminals

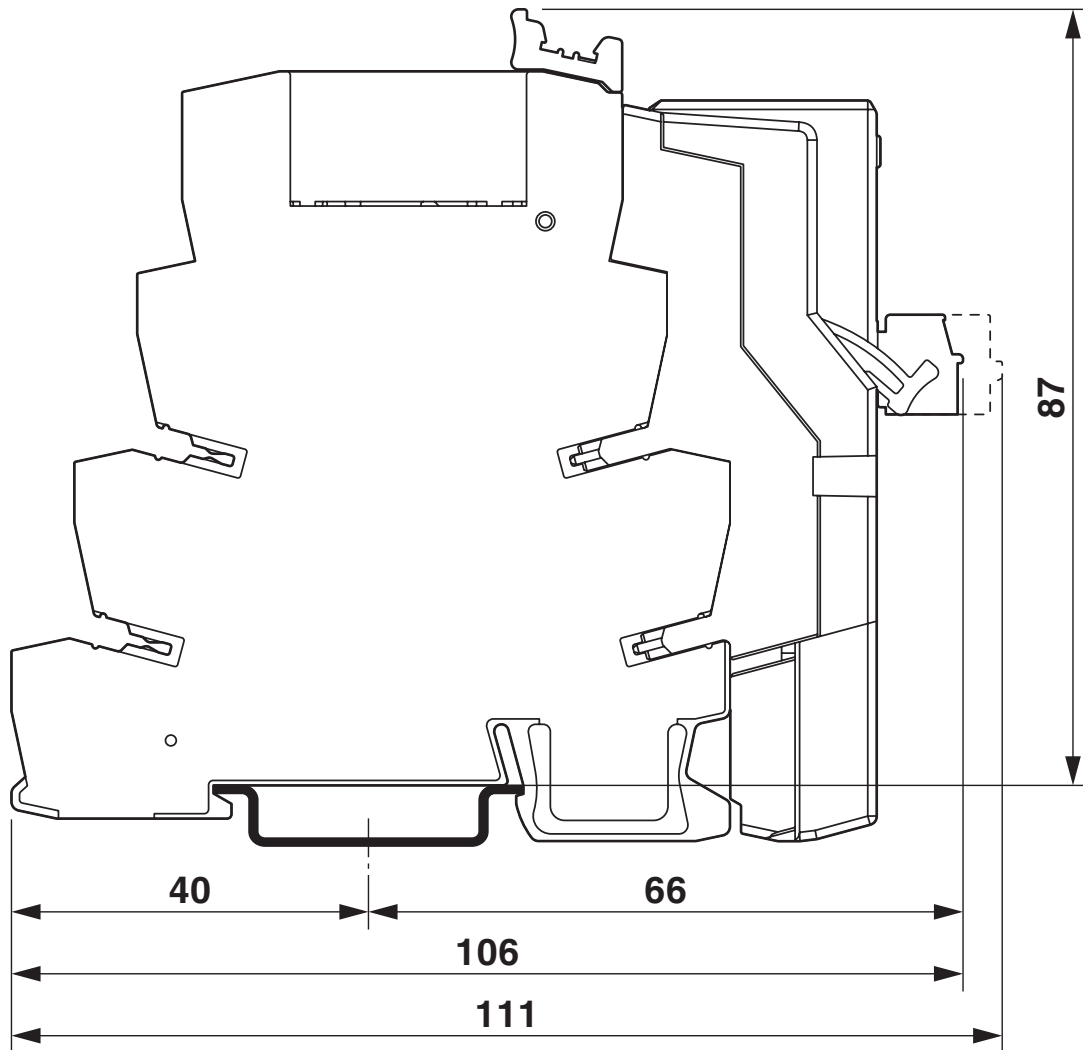
# PLC-V8C/PT-24DC/SAM2 - Controller



2907443

<https://www.phoenixcontact.com/us/products/2907443>

Dimensional drawing



PLC logic with relay



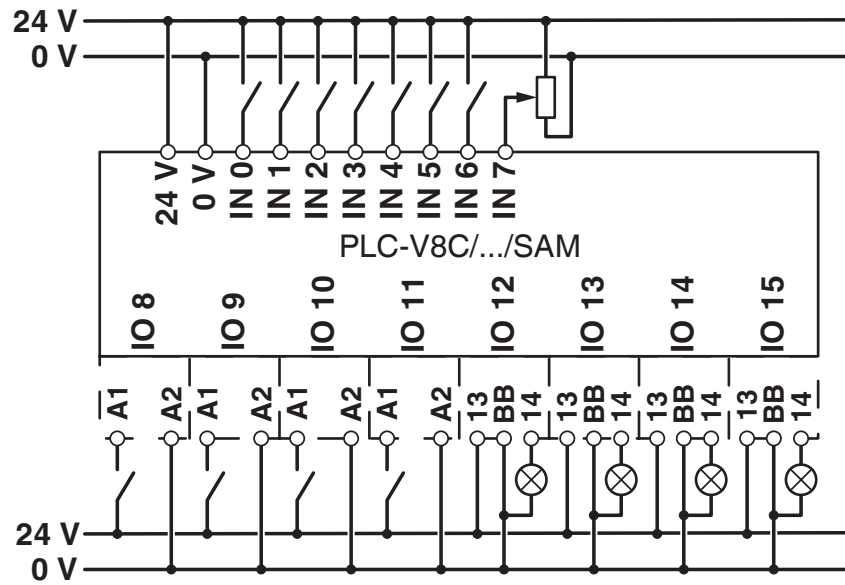
# PLC-V8C/PT-24DC/SAM2 - Controller

2907443

<https://www.phoenixcontact.com/us/products/2907443>



Connection diagram

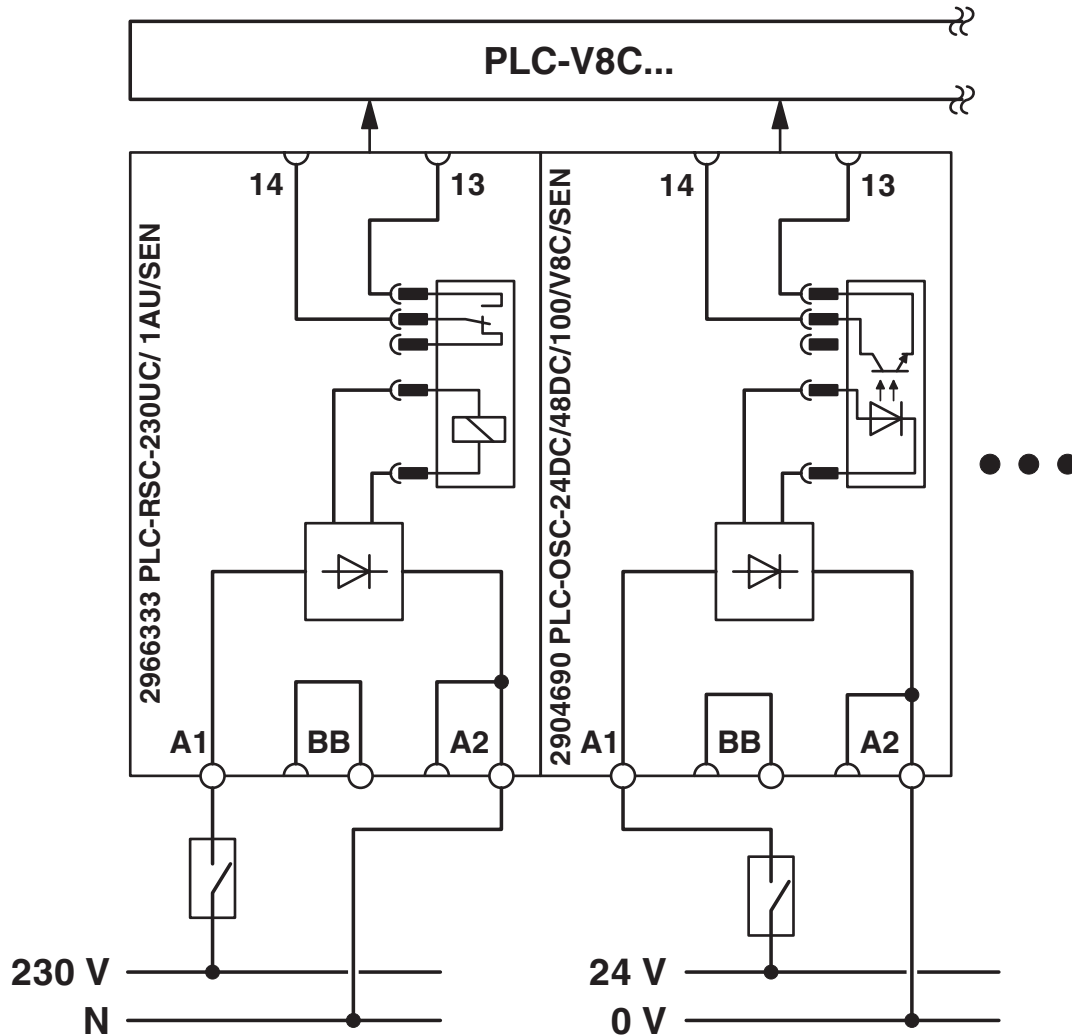


# PLC-V8C/PT-24DC/SAM2 - Controller

2907443

<https://www.phoenixcontact.com/us/products/2907443>

Circuit diagram



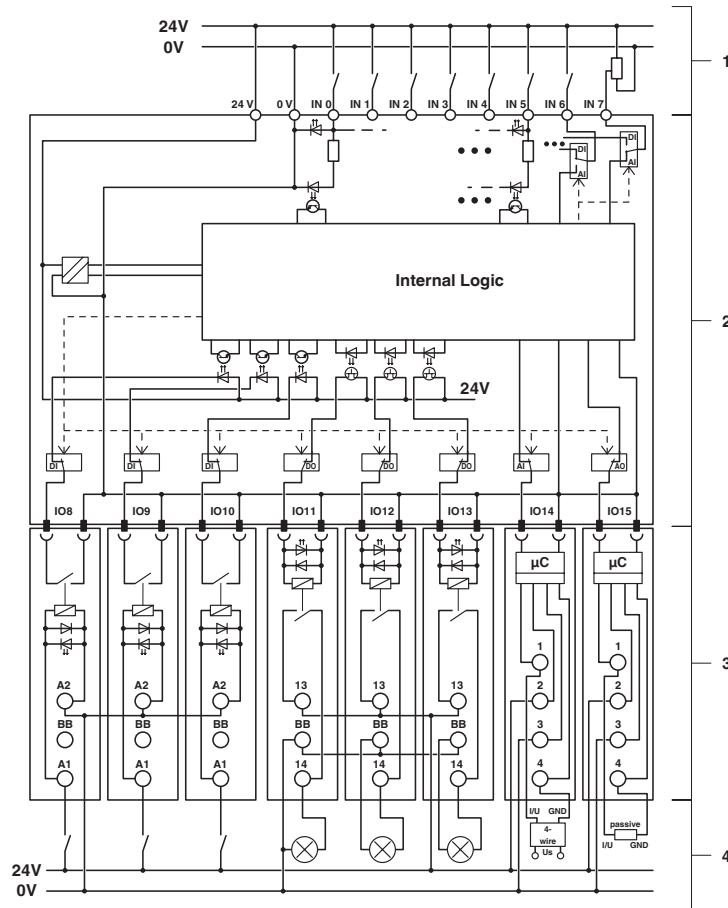
# PLC-V8C/PT-24DC/SAM2 - Controller

2907443

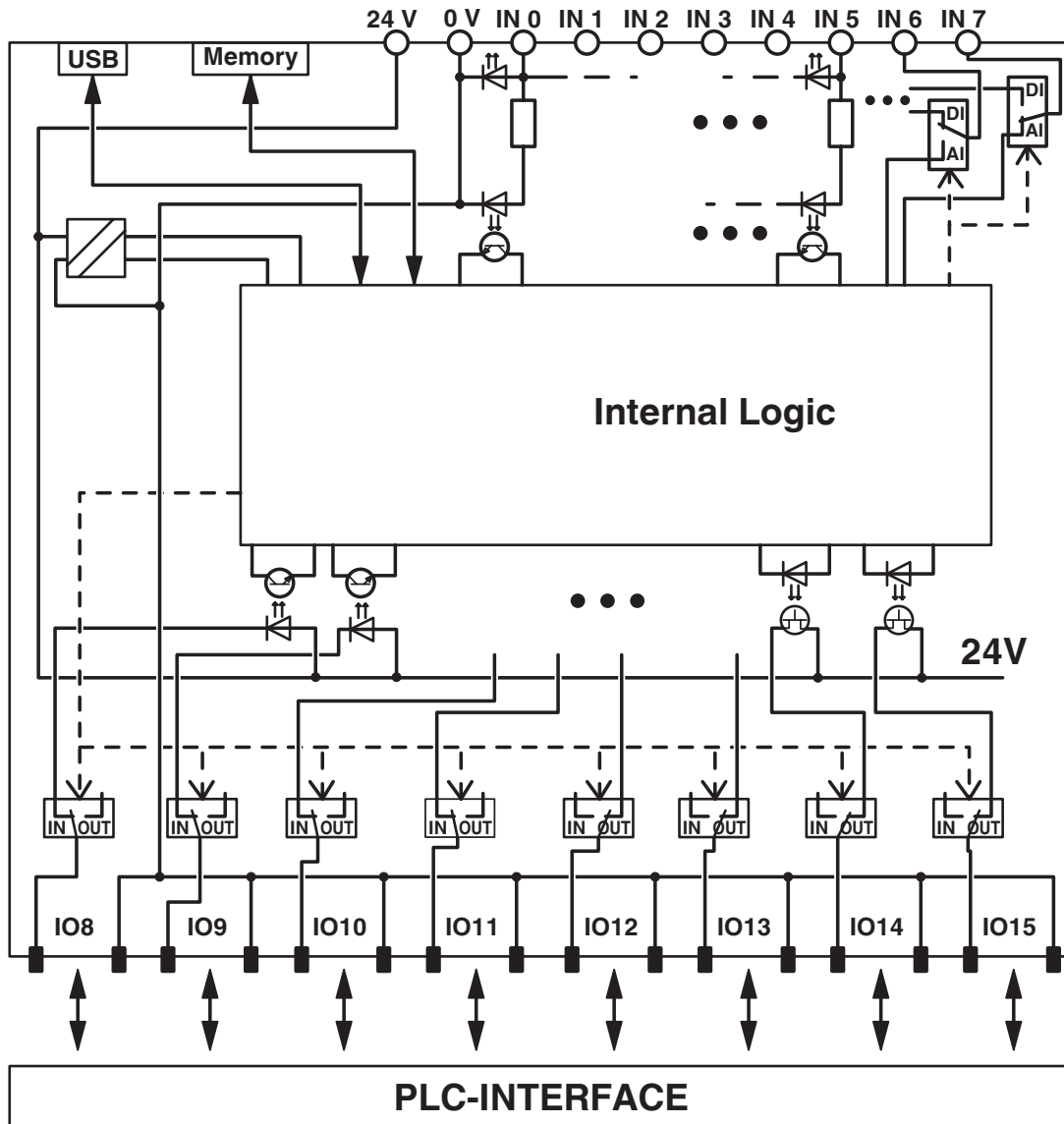
<https://www.phoenixcontact.com/us/products/2907443>



### Circuit diagram



Circuit diagram



# PLC-V8C/PT-24DC/SAM2 - Controller



2907443

<https://www.phoenixcontact.com/us/products/2907443>

## Approvals

To download certificates, visit the product detail page: <https://www.phoenixcontact.com/us/products/2907443>



**EAC**

Approval ID: RU\*DE.\*08.B.01517/19



**UL Listed**

Approval ID: FILE E 172140



**cUL Listed**

Approval ID: FILE E 172140



**cUL Listed**

Approval ID: E199827



**UL Listed**

Approval ID: E199827

**cULus Listed**

**cULus Listed**

# PLC-V8C/PT-24DC/SAM2 - Controller



2907443

<https://www.phoenixcontact.com/us/products/2907443>

## Classifications

### ECLASS

ECLASS-11.0	27242216
ECLASS-13.0	27242216
ECLASS-12.0	27242216

### ETIM

ETIM 9.0	EC001417
----------	----------

### UNSPSC

UNSPSC 21.0	39122300
-------------	----------

2907443

<https://www.phoenixcontact.com/us/products/2907443>

## Environmental product compliance

### EU RoHS

Fulfills EU RoHS substance requirements	Yes
Exemption	7(a), 7(c)-I

### China RoHS

Environment friendly use period (EFUP)	EFUP-50
	An article-related China RoHS declaration table can be found in the download area for the respective article under "Manufacturer declaration". For all articles with EFUP-E, no China RoHS declaration table issued and required.

### EU REACH SVHC

REACH candidate substance (CAS No.)	Lead(CAS: 7439-92-1)
SCIP	82e455c5-00a9-457c-8072-67b8f0606aa5

Phoenix Contact 2024 © - all rights reserved

<https://www.phoenixcontact.com>

Phoenix Contact USA  
586 Fulling Mill Road  
Middletown, PA 17057, United States  
(+717) 944-1300  
[info@phoenixcon.com](mailto:info@phoenixcon.com)