

# 产品规格书

## PRODUCT SPECIFICATION SHEET

物料名称

APPELLATION: A11 无线发射单线圈模组产品型号

MODE: YX-A11-R500800-R0890

客户料号

No.:

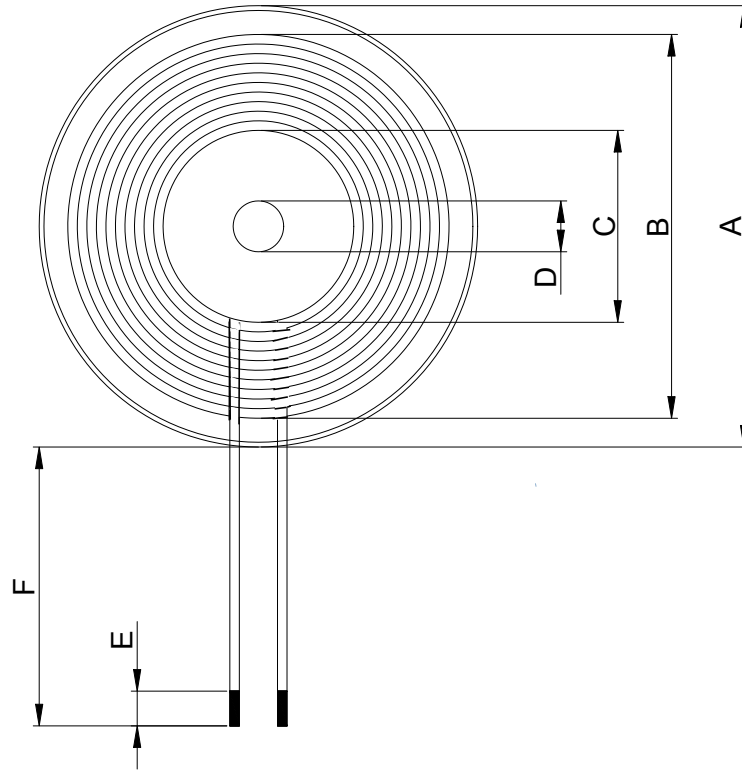
生产方	工艺审核 TECHNICAL	品质审核 QUALITY	项目审核 PROJECT	开发审核 DEVELOPING
	Jiuguijiang	wangxue	wangchunxia	Jiuguijiang

客户方	材料工程师 Materials Engineer	设计工程师 Engineer	主管审批 Approval	研发体系 R & D System





## 1. DIMENSIONS & MARKING:



Symbol	A	B	C	D	E	F
Value(mm)	50.00MAX	38.5±2	20.00±0.5	1.0±0.2	3.0±1	95±5

## 2. ELECTRICAL SPECIFICATIONS @25°C

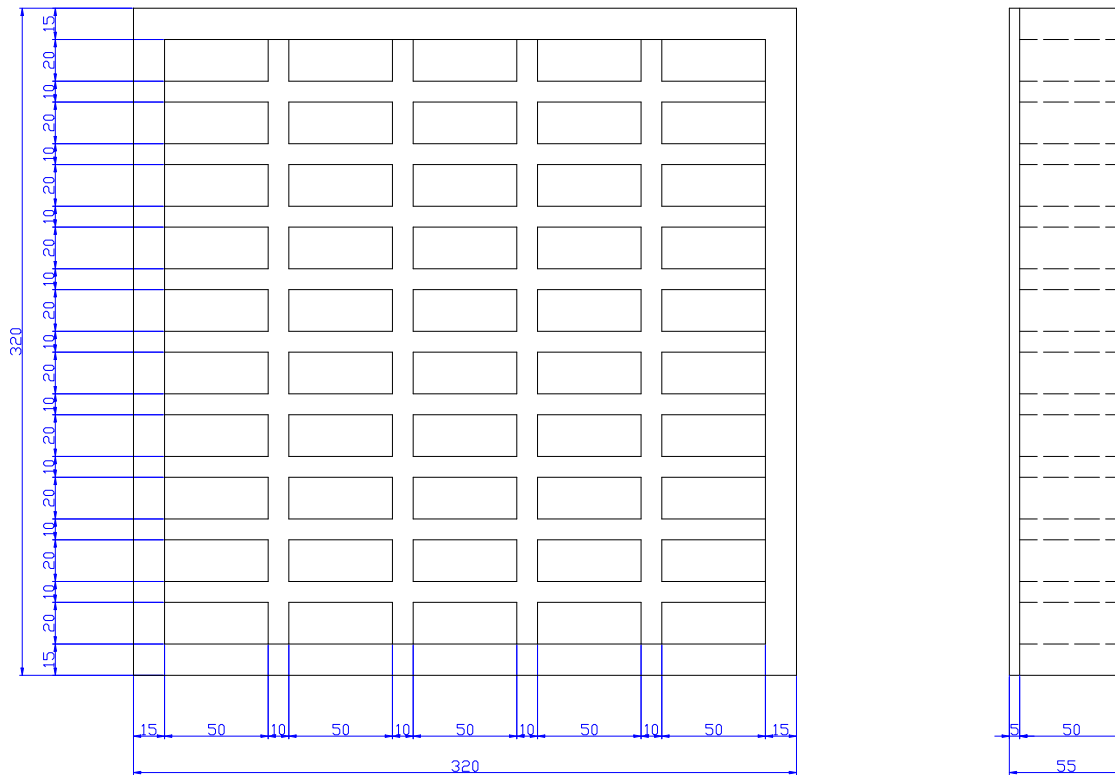
- 2.1 Operating Temperature range: -40°C~+85°C
- 2.2 Storage temperature range: -25°C TO +125°C
- 2.3 The test frequency: 100 KHz, 100mV @ 25°C,65%
- 2.4 OCL : 15±10% μH .
- 2.5 Diameter : 0.08mm\*105P
- 2.5 Turns Ratio: 9T (双层)

DRAWN BY:	CHECKED BY:	APPROVED BY:	CUSTOMER:
jiuguijiang	jiuguijiang	wangchunxia	PART NO. : YX-A11-R431050-R0825

### 3、 Bill of materials:

序号	物料名称	物料规格	材料使用	备注
1	丝包线	0.08mm*105P	√	
2	自粘线	0.08mm*105P	√	
3	磁片	T 50**1.0mm,PC95或等同	√	
4	高温胶带	PF-301/FK-01(5mm)	√	
5	背胶贴	0.05*50mm		
6	胶水	环保水性胶(6060HFR(I))	√	
7	锡条	Sn97.3-0.7Cu	√	

### 4、 Packaging:



- 4.1 Quantity per grid: 5 PCS
- 4.2 Quantity per carton: 5\*50 = 250PCS
- 4.3 Quantity per carton: 250\*3 = 750PCS
- 4.4 Carton size: 350\*350\*180mm.

DRAWN BY:	CHECKED BY:	APPROVED BY:	CUSTOMER:
jiuguijiang	jiuguijiang	wangchunxia	PART NO. : YX-A11-R431050-R0825