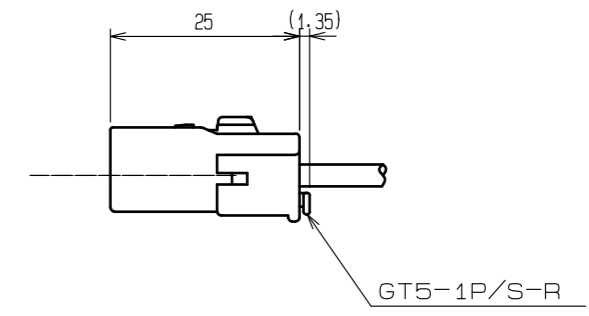
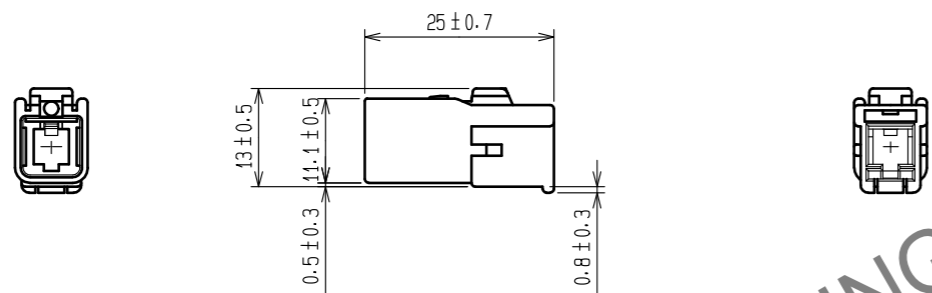
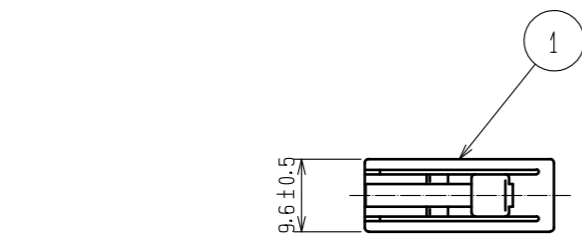


Jul.1.2024 Copyright 2024 HIROSE ELECTRIC CO., LTD. All Rights Reserved.
 In case of consideration for using Automotive equipment / device which demand high reliability, kindly contact our sales window correspondents.



CONNECTOR ASSEMBLED WITH A RETAINER

△ PECULIAR SPECIFICATION CHART

PART NO.	CL NO.	SPECIFICATION
GT5-1S-HU	755-0004-7	UL94V-0 LIGHT GRAY
GT5-1S-HU(20)	755-0004-7-20	UL94V-0 ORANGE

1	PBT							
NO.	MATERIAL	FINISH . REMARKS	NO.	MATERIAL	FINISH . REMARKS			
UNITS mm			SCALE 1 : 1	COUNT △ 1	DESCRIPTION OF REVISIONS DIS-T-00013033	DESIGNED TY. OZAKI	CHECKED MH. YAMAGUCHI	DATE 20220217
HRS HIROSE ELECTRIC CO., LTD.		APPROVED : KS. SATOH	20050105	DRAWING NO. EDC3-084957-00				
		CHECKED : NH. NAKATA	20050105	PART NO. GT5-1S-HU				
		DESIGNED : TS. KUBOTA	20050105	CODE NO. CL0755-0004-7-00				
		DRAWN : MO. OKADA	20050105			△		