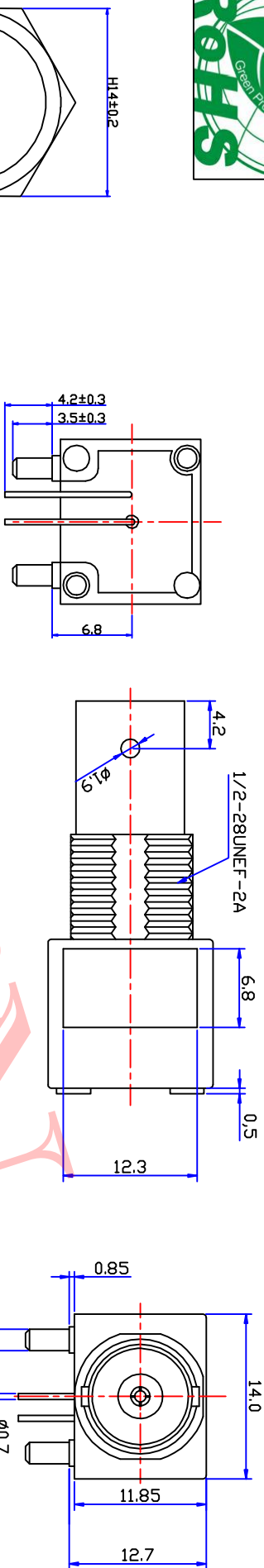




Product NO.		DOSIN-801-0199		
REV	DESCRIPTION	DMN	DATE	APPROVEN
A	First Issue	Mr. Wang	2015/03/21	John Kline
B				



SPECIFICATIONS:

Impedance: 50 Ohms
 Frequency Range: DC~6G
 VSWR: 1.3max
 Working Voltage: 500v RMS @ SEA level
 Insulation Resistance: 5000 Ohms min
 Temperature Range: -55°C TO +155°C
 Drawings products are in line with ROHS standards

PCB HOLE CONFIGURATION
 RECOMMENDED PANEL CUTOUTS

1	Body	Zinc	NI:80-120u"	NOTE:					
2	Contact pin	Beryllium copper	Gold:1-1.6u"						
3	Insulation	PII	None		Tolerance	X, ±0.15 X X, ±0.10 X XX, ±0.05			
4	Gasket	TE	NI:80-120u"		View	Angular ±5°			
5	NET	Brass	NI:80-120u"		UNIT	MM			
6					APPROVALS				
7					CHECKED				
8									
9									
10	Component Number	Material	Finish		SCALE	1:1			
A		B			D				E
									F
									G

DOSIN *Dosin Industrial (Hk) Co Ltd*
 东莞市松泰五金电子有限公司
 Dosin Hardware Electronics Co, Ltd
 B-mail: dosin2005@163.com
 dosin2005@dosin-dh.com
 Web: http://www.dosin.com
 TEL: (0086) 769-81153906
 FAX: (0086) 769-81878836

Name: **BNC R/A PCB JACK CONNECTOR**
 Product NO. **DOSIN-801-0199**

DATE: 2015/07/21
 CAD FILE: H/company drawings/BD
 SHEET: 1 OF 1