

Data sheet

Cat.7 cable connector IP67

Page 1/4

P/N

130863-01-E

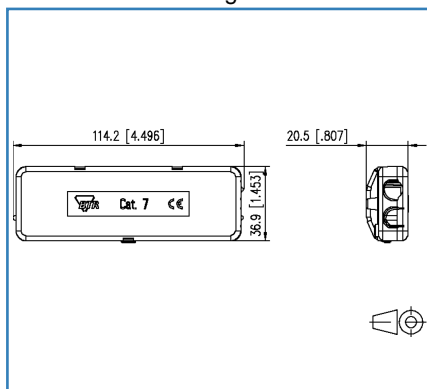
EAN 4250184113195

2018-09-01

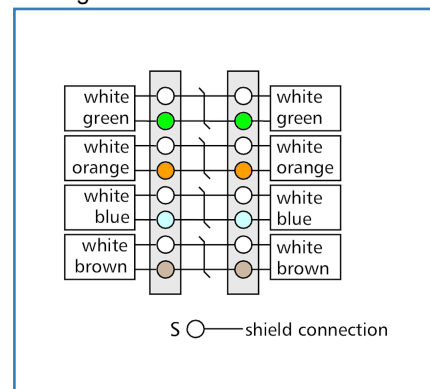
Illustrations



Dimensional drawing



Wiring



See enlarged drawings at the end of document

Product specification

- for connecting/extending data cables up to Cat.7_A
- IP67 protection due to special shrink tube
- class E to ISO/IEC 11801 Ed.2.2:2011-06 is complied with in combination with Cat.6, Cat.6_A, Cat.7 and Cat.7_A cables and Cat.6 connectors
- connection of data lines AWG 26/1 to 22/1 (solid wire)
- cable feed from one or two sides
- cable sharing, i.e. splitting one 8-wire cable into two 4-wire cables (one cable tie required each on input and output side)
- fully shielded metal housing
- strain relief and separate captive 360° shield connection

Technical Data

General Data

Design	Cable connector
Shielding	shielded
Transmission technology	Copper
Color	metallike
Dimensions	
Dimension (L x W x H)	20.50 x 114.20 x 36.90 mm

Transmission characteristics

Category (ISO)	7
----------------	---

Connections/interfaces

Connector technology interface 1	LSA terminal block
Connector technology interface 2	LSA terminal block
Number of ports interface 1	1
Number of ports interface 2	1
Number of equipped ports interface 1	1
Number of ports interface 2 equipped	1
Termination data, solid wire (min. - max.)	
Conductor cross section, solid wire	AWG 26/1 - 22/1
Conductor cross section, solid wire	0.128 - 0.324 mm ²
Cable sheath diameter (min. - max.)	
Cable sheath diameter	5.5 - 9.6 mm
Cable sheath diameter	0.197 - 0.354 in.
Reconnectibility	yes, if cross section is greater or the same

Electrical characteristics

Current carrying capacity	0.5 A
Rated voltage	60 V
Through resistance	max. 5 mOhm
Insulation resistance	min. 100 MOhm
Dielectric strength conductor-conductor (primarily)	750 V DC

Technical Data

Mechanical characteristics

Life - Number of mating cycles min. 100

Materials and material properties

Material - Housing GD-Zn (zinc die-cast)

Environmental conditions

Temperature (min. - max.)

Temperature - Storage °C -25 - 85 °C

Temperature - Storage °F -13 - 185 °F

Temperature - Operating °C -25 - 85 °C

Temperature - Operating °F -13 - 185 °F

Particulate ingress IP6X

Liquid ingress/immersion IPX7

Shock 490 m/s²

Classifications

ETIM 5.0 EC001121

ETIM 6.0 EC001121

Packing details

Type of packaging 1 pc(s) / box

Packaging unit - Weight (gram) 373.00 g

Packaging unit - Weight (pound) 0.82 lb

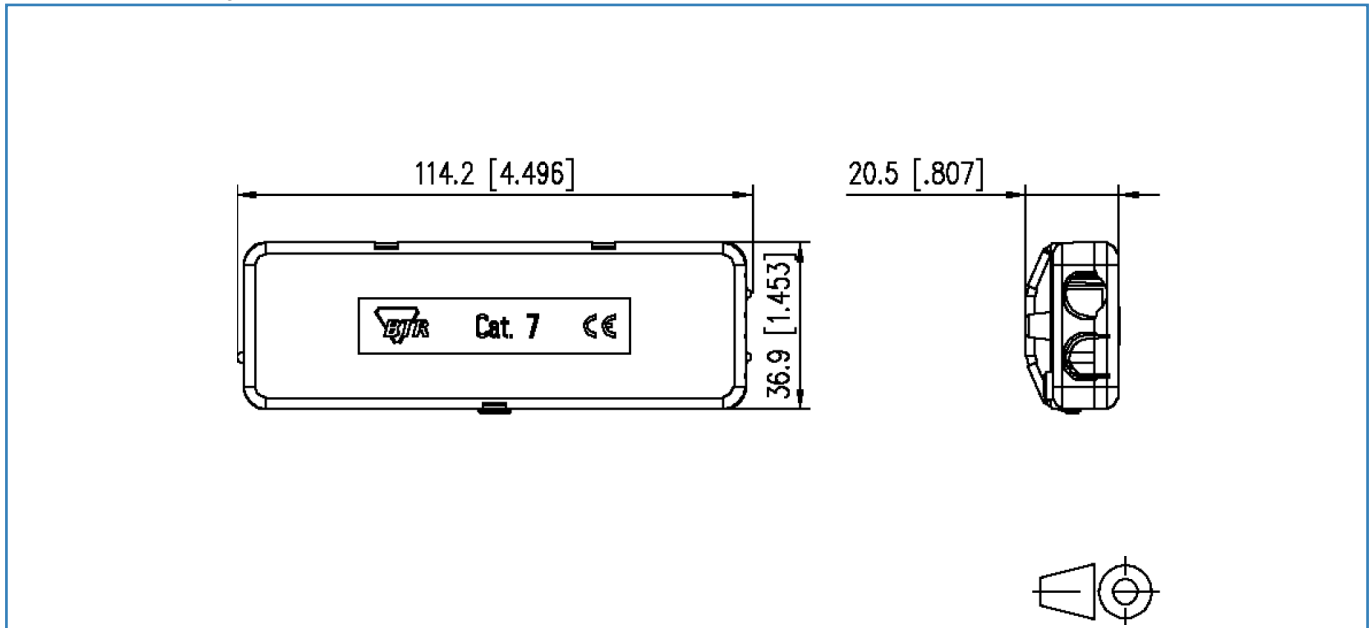
Packaging dimension (W x H x D) 258.00 x 164.00 x 51.00 mm

Packaging dimension (W x H x D) 10.157 x 6.457 x 2.008 in.

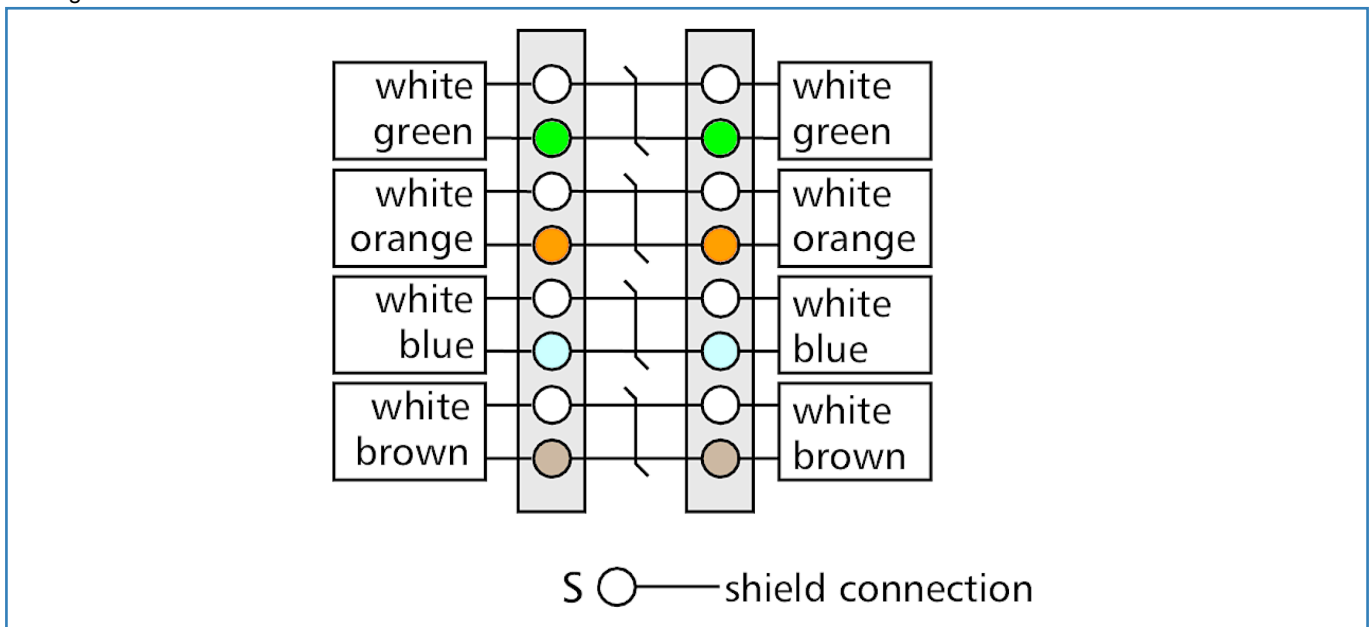


Illustrations

Dimensional drawing



Wiring



© 2017 METZ CONNECT - Technische Änderungen vorbehalten! Subject to modifications! Sous réserve de modifications techniques!