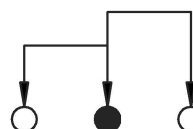
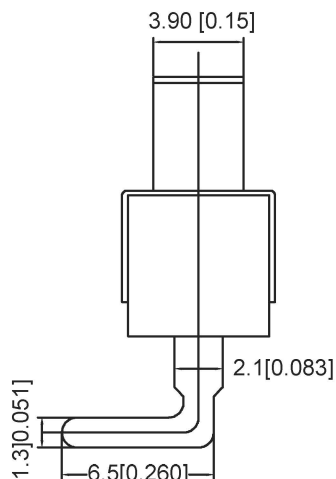
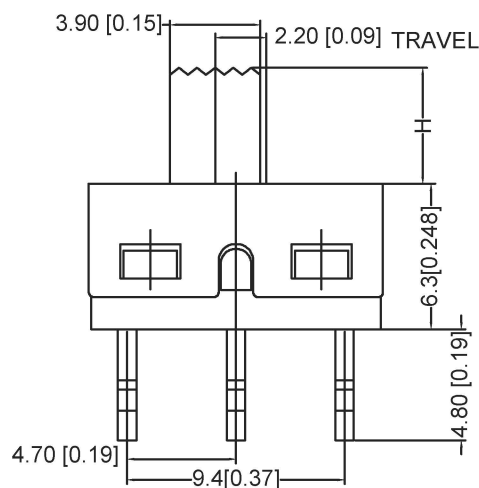
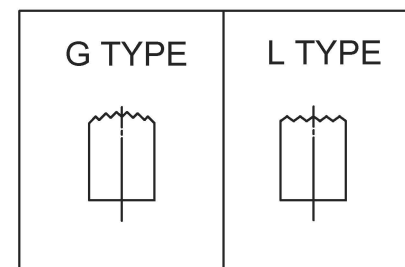
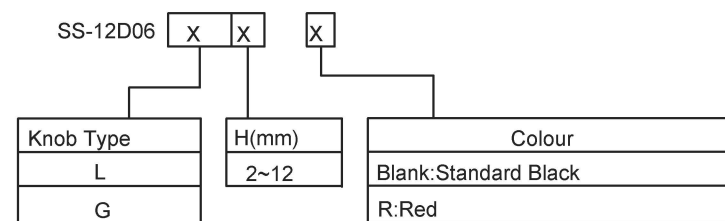


P.C.B LAYOUT

MODEL CODE



SCHEMATIC

Typical Specifications

- 1.Rating:AC 125V 3A
- 2.Insulation Resistance:1,000M min
- 3.Dielectric strength:1,500V RMS
- 4.Operating Life: 10,000 cycles

ITEM	PAPT NAME	TER,NO	QTY	MATERIAL	FINISHING	REMARK
⑤	Terminal	—	3	Copper Alloy	silver plated	——
④	Contact	—	1	Copper Alloy	silver plated	——
③	Housing	—	1	Stainless Steel		——
②	Slide Handle	—	1	Nylon		——
①	Case	—	1	Diallyl Phthalate (DAP)		——

广东星坤科技股份有限公司

生效日期

文件工程章

REVISIONS	DATE	REVISED	APPROVED	UNSPECIFIED TOLERANCES
ANGLAR				±5°
X.X				±0.2mm
X.XX				±0.1mm
X.XXX				±0.05mm

DSND	DATE	SCALE: N/A	MODEL TYPE:
DWN	DATE	VIEW:	SLIDE SWITCH
CHKD	DATE	UNIT: mm/in	PART NO.:
APPD	DATE	SIZE: A4	DWG NO.:
XKB INDUSTRIAL PRECISION CO.,LIMITED			SS-12D06XXX
WEIGHT	SHEET	REVISION	
1.0g	1/1	A0	