

**PI3USB31**

**High-Speed USB 2.0 (480 Mbps) 1-Port Switch with Full Power Down Feature**

**Features**

- V<sub>DD</sub> Operation at 2.8 V and 4.3 V
- 1.8 V Compatible Control-Pin Inputs
- I<sub>OFF</sub> Supports Full Power-Down Mode Operation
- r<sub>on</sub> = 6 Ω Typical
- D<sub>r<sub>on</sub></sub> < 0.35 Ω Typical
- C<sub>io</sub>(ON) = 5 pF Typical
- Low Power Consumption
- ESD Performance
  - 7 kV Human-Body Model, per JESD22 spec (A114-B, Class II)
  - 1000 V Charged-Device Model (C101)
  - ±4 kV contact, per IEC61000-4-2
- Wide -3-dB Bandwidth = 2110 MHz Typical
- Totally Lead-Free & Fully RoHS Compliant (Notes 1 & 2)
- Halogen and Antimony Free. “Green” Device (Note 3)
- For automotive applications requiring specific change control (i.e. parts qualified to AEC-Q100/101/200, PPAP capable, and manufactured in IATF 16949 certified facilities), please [contact us](#) or your local Diodes representative.  
<https://www.diodes.com/quality/product-definitions/>
- Packaging (Pb-free & Green):
  - 8-pin, UQFN1515-8 (ZUA)

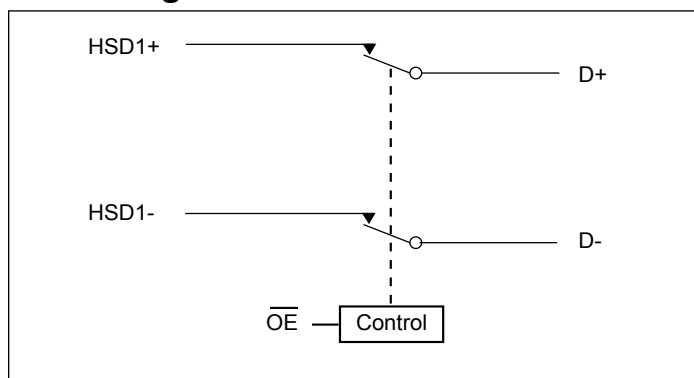
**Application**

- Routes Signals for USB 1.0, 1.1, and 2.0

**Description**

The PI3USB31 is a high-bandwidth switch specially designed for the switching of high-speed USB 2.0 signals in handset and consumer applications, such as cell phones, digital cameras, and notebooks with hubs or controllers with limited USB I/Os. The wide bandwidth (750 MHz) of this switch allows signals to pass with minimum edge and phase distortion. The switch is bidirectional and offers little or no attenuation of the high-speed signals at the outputs. It is designed for low bit-to-bit skew and high channel-to-channel noise isolation, and is compatible with various standards, such as high-speed USB 2.0 (480 Mbps).

**Block Diagram**



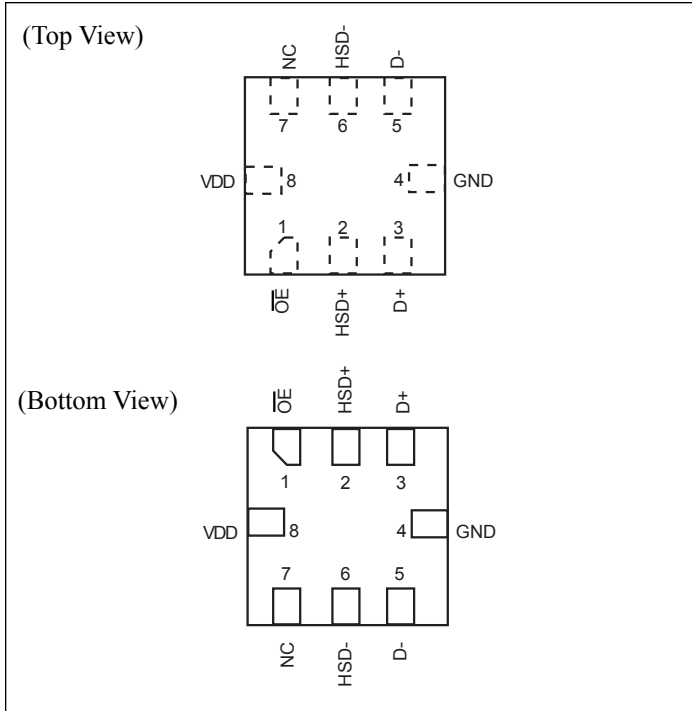
**Truth Table**

$\overline{OE}$	Description
H	Disconnect
L	D+, D- = HSD+, HSD-

**Notes:**

1. No purposely added lead. Fully EU Directive 2002/95/EC (RoHS), 2011/65/EU (RoHS 2) & 2015/863/EU (RoHS 3) compliant.
2. See <https://www.diodes.com/quality/lead-free/> for more information about Diodes Incorporated’s definitions of Halogen- and Antimony-free, “Green” and Lead-free.
3. Halogen- and Antimony-free “Green” products are defined as those which contain <900ppm bromine, <900ppm chlorine (<1500ppm total Br + Cl) and <1000ppm antimony compounds.

**Pin Configuration**



NC = No Internal Connection

**Pin Description**

Name	Description
$\overline{OE}$	Bus-switch enable
D+, D-, HSD+, HSD-	Data ports
NC	No connect

**PI3USB31**

**Absolute Maximum Ratings<sup>(1)</sup>**

(Over operating free-air temperature range unless otherwise noted.)

Supply Voltage Range ( $V_{DD}$ ).....	-0.5V to +7V
Control Input Voltage Range ( $V_{IN}$ ) <sup>(2)(3)</sup> .....	-0.5V to +7V
VI/O Switch I/O Voltage Range <sup>(2)(3)(4)</sup>	
HSD+, HSD- .....	-0.5V to $V_{DD}+0.3$
D+, D- when $V_{DD} > 0$ .....	-0.5V to $V_{DD}+0.3$
D+, D- when $V_{DD} > 0$ .....	5.25V
Control Input Clamp Current .....	-50mA
I/O Port Clamp Current.....	-50mA
ON-state switch current <sup>(5)</sup> .....	$\pm 64$ mA
Continuous current through $V_{DD}$ or GND .....	$\pm 100$ mA
I/O Port Clamp Current.....	-50mA

**Note:**

- (1) Stresses greater than those listed under MAXIMUM RATINGS may cause permanent damage to the device. This is a stress rating only and functional operation of the device at these or any other conditions above those indicated in the operational sections of this specification is not implied. Exposure to absolute maximum rating conditions for extended periods may affect reliability.
- (2) All voltages are with respect to ground, unless otherwise specified.
- (3) The input and output voltage ratings may be exceeded if the input and output clamp-current ratings are observed.
- (4)  $V_I$  and  $V_O$  are used to denote specific conditions for  $V_{I/O}$ .
- (5)  $I_I$  and  $I_O$  are used to denote specific conditions for  $I_{I/O}$ .

**Recommended Operating Conditions<sup>(1)</sup>**

Parameter	Description		Min.	Max.	Units
$V_{DD}$	Supply voltage		2.8	4.3	V
$V_{IH}$	High-level control input voltage	$V_{DD} = 2.8V$ to $3.6V$	1.3		V
		$V_{DD} = 4.3V$	1.7		
$V_{IL}$	Input LOW Voltage	$V_{DD} = 2.8V$ to $3.6V$		0.5	V
		$V_{DD} = 4.3V$		0.6	
$V_{I/O}$	Data input/output voltage		0	$V_{DD}$	V
$T_A$	Operating free-air temperature		-40	85	$^{\circ}C$

**Notes:**

- 1. All unused control inputs of the device must be held at  $V_{DD}$  or GND to ensure proper device operation.

**PI3USB31**
**Electrical Characteristics** over operating free-air temperature range (unless otherwise noted)

Parameter	Test Conditions <sup>(1)</sup>	Min	Typ. <sup>(2)</sup>	Max	Unit
V <sub>IK</sub>	V <sub>DD</sub> = 2.8V, I <sub>I</sub> = -18mA			-1.2	V
I <sub>IN</sub>	Control inputs V <sub>DD</sub> = 4.3V, V <sub>IN</sub> = 0 to 4.3V, V <sub>DD</sub> = 0V			±1	μA
I <sub>OZ</sub> <sup>(3)</sup>	V <sub>DD</sub> = 4.3V, V <sub>O</sub> = 0 to 3.6V, V <sub>I</sub> = 0, Switch OFF			±1	μA
I <sub>OFF</sub>	D+ and D- V <sub>DD</sub> = 0V, V <sub>O</sub> = 0 to 4.3V, V <sub>I</sub> = 0, V <sub>IN</sub> = V <sub>DD</sub> or GND			±2	μA
I <sub>CC</sub>	V <sub>DD</sub> = 4.3V, I <sub>I/O</sub> = 0			70	μA
D I <sub>CC</sub> <sup>(4)</sup>	Control inputs V <sub>DD</sub> = 4.3V, V <sub>IN</sub> = 2.6V			10	μA
C <sub>IN</sub>	Control inputs V <sub>DD</sub> = 0V, V <sub>IN</sub> = V <sub>DD</sub> or GND		1		pF
C <sub>io</sub> (OFF)	V <sub>DD</sub> = 3.3V, Switch OFF		2		pF
C <sub>io</sub> (ON)	V <sub>DD</sub> = 3.3V, Switch ON		5		pF
R <sub>ON</sub> <sup>(5)</sup>	V <sub>DD</sub> = 2.8V, V <sub>I</sub> = 0.4V, I <sub>O</sub> = -8mA		6	10	W
DR <sub>ON</sub>	V <sub>DD</sub> = 2.8V, V <sub>I</sub> = 0.4V, I <sub>O</sub> = -8mA		0.35		W
DR <sub>ON</sub> (flat)	V <sub>DD</sub> = 2.8V, V <sub>I</sub> = 0V or 1 V, I <sub>O</sub> = -8mA		2		W

**Notes:**

- V<sub>IN</sub> and I<sub>IN</sub> refer to control input (OE). V<sub>I</sub>, V<sub>O</sub>, I<sub>I</sub>, and I<sub>O</sub> refer to data pins.
- All typical values are at V<sub>DD</sub> = 3.3 V (unless otherwise noted), T<sub>A</sub> = 25°C.
- For I/O ports, the parameter I<sub>OZ</sub> includes the input leakage current.
- This is the increase in supply current for each input that is at the specified TTL voltage level, rather than V<sub>DD</sub> or GND.
- Measured by the voltage drop between the D and HSD terminals at the indicated current through the switch. ON-state resistance is determined by the lower of the voltages of the two terminals.

**Dynamic Electrical Characteristics** (over operating range, T<sub>A</sub> = -40°C TO 85°C, V<sub>DD</sub> = 3.3 V ± 10%, GND = 0 V)

Parameter	Description	Test Conditions <sup>(1)</sup>	Typ. <sup>(1)</sup>	Units
O <sub>IRR</sub>	OFF isolation	R <sub>L</sub> = 50Ω, f = 240MHz	-30	dB
BW	Bandwidth (-3 dB)	R <sub>L</sub> = 50Ω	2110	MHz
Xtalk	Crosstalk	R <sub>L</sub> = 50Ω, f = 240MHz	-55	dB

**Notes:**

- For Max or Min conditions, use the appropriate value specified under Electrical Characteristics for the applicable device type.

**PI3USB31**

**Switching Characteristics** (over operating range,  $T_A = -40^{\circ}\text{C}$  TO  $85^{\circ}\text{C}$ ,  $V_{DD} = 3.3\text{ V} \pm 10\%$ ,  $GND = 0\text{ V}$ )

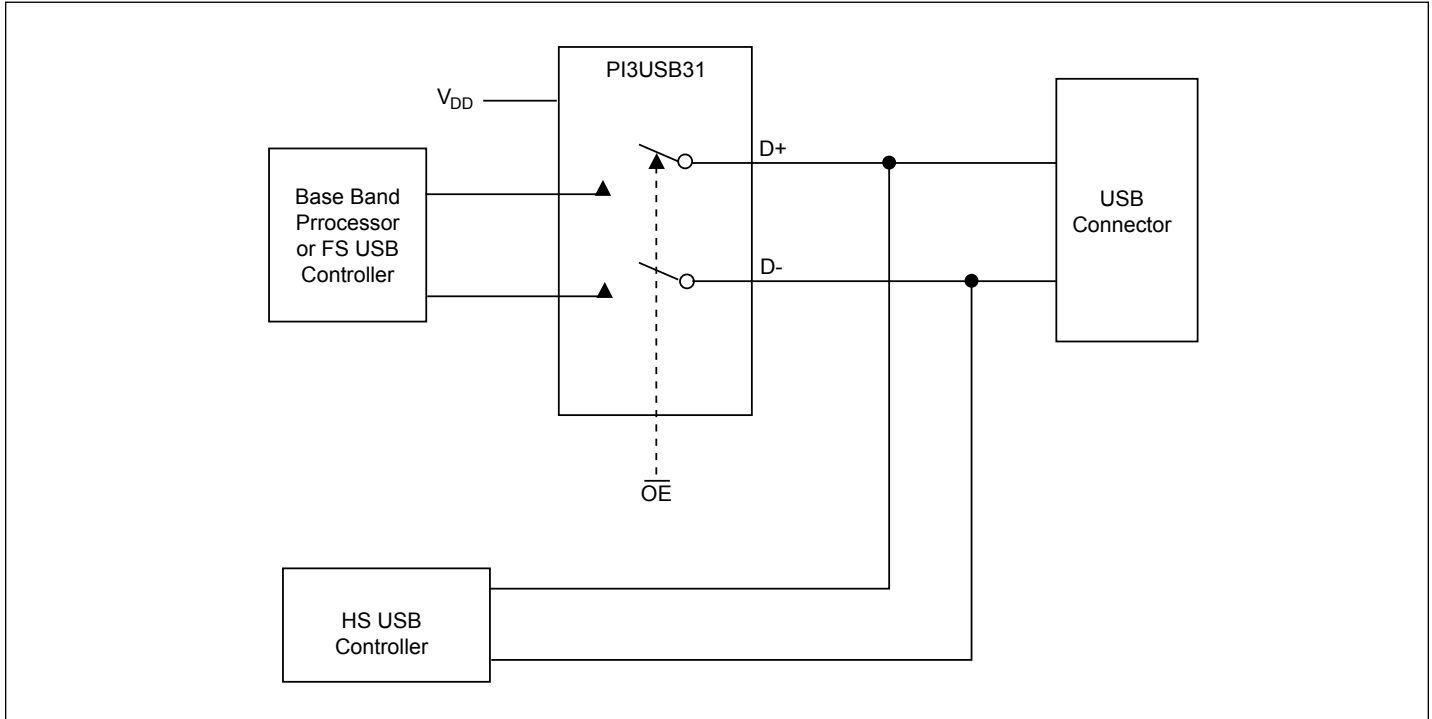
Parameters	Description	Test Conditions <sup>(1)</sup>	Min.	Typ.	Max.	Units
$t_{PD}$	Propagation Delay <sup>(2,3)</sup>	$R_L = 50\Omega, C_L = 5\text{pF}$			0.35	ns
$t_{ON}$	Line Enable Time, $\overline{OE}$ to D+/D-	$R_L = 50\Omega, C_L = 5\text{pF}$			55	ns
$t_{OFF}$	Line Disable Time - $\overline{OE}$ to D+/D-	$R_L = 50\Omega, C_L = 5\text{pF}$			25	ns
$t_{SK(P)}$	Skew between opposite transitions of the same output ( $t_{PHL} - t_{PLH}$ ) <sup>(2)</sup>	$R_L = 50\Omega, C_L = 5\text{pF}$		50		ps
$t_j$	Total Jitter <sup>(2)</sup>	$R_L = 50\Omega, C_L = 5\text{pF}$ , $t_R = t_F = 500\text{ps}$ at 480Mbps (PBRs= $2^{15} - 1$ )		200		ps

**Notes:**

1. For Max or Min conditions, use the appropriate value specified under Electrical Characteristics for the applicable device type.
2. Guaranteed by design.
3. The bus switch contributes no propagational delay other than the RC delay of the on resistance of the switch and the load capacitance. The time constant for the switch alone is of the order of 0.25 ns for 10-pF load. Since this time constant is much smaller than the rise/fall times of typical driving signals, it adds very little propagational delay to the system. Propagational delay of the bus switch, when used in a system, is determined by the driving circuit on the driving side of the switch and its interactions with the load on the driven side.

**PI3USB31**

**Application Information**



**Application Diagram**

**PI3USB31**

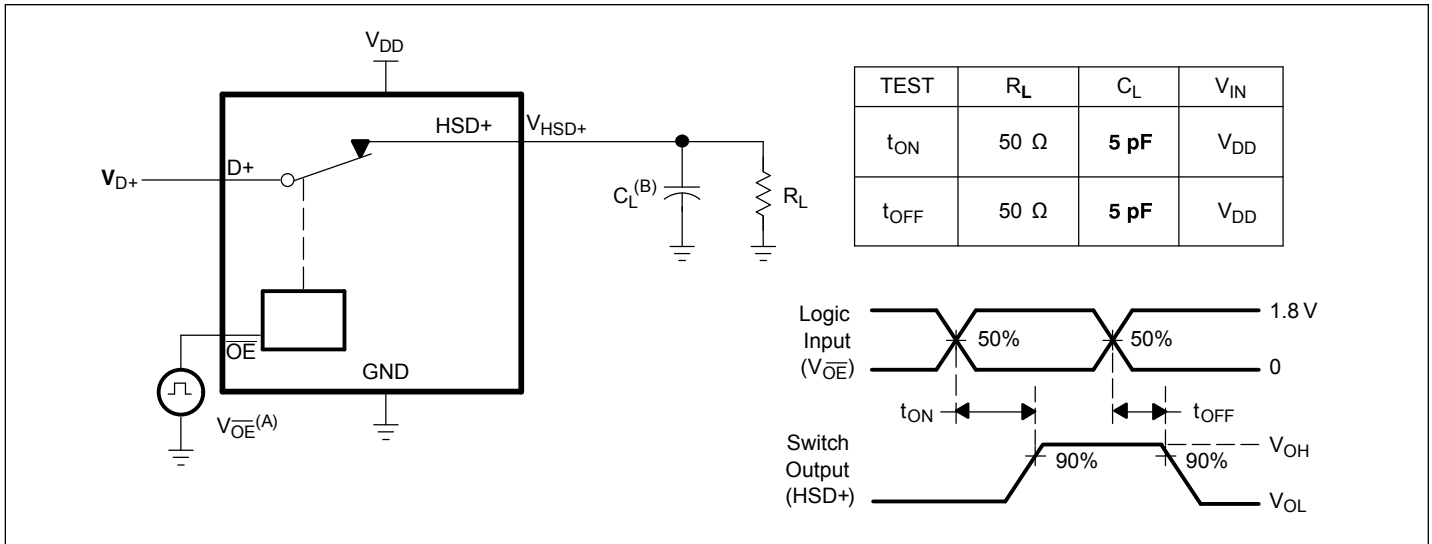


Figure 1. Turn-On (t<sub>ON</sub>) and Turn-Off Time (t<sub>OFF</sub>)

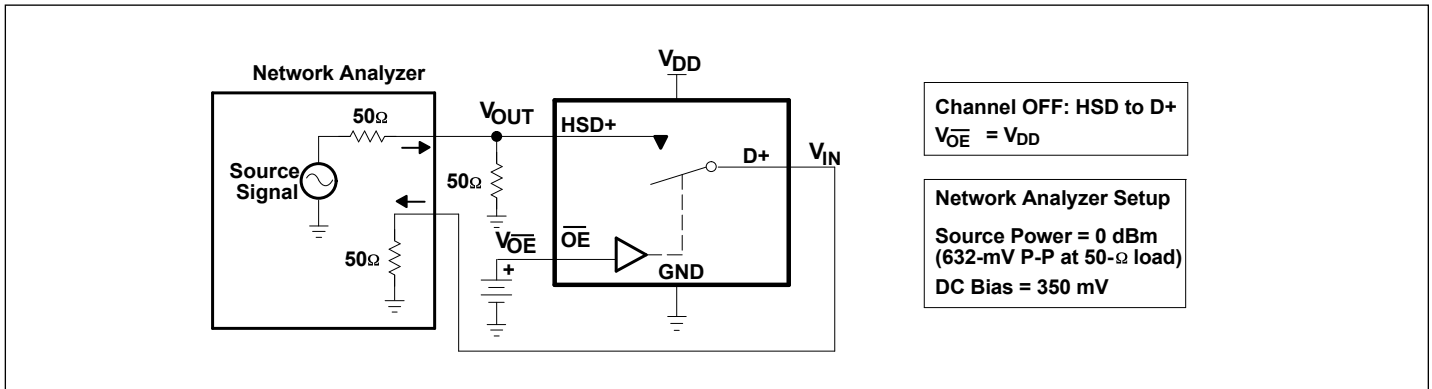


Figure 2. OFF Isolation (OIRR)

**PI3USB31**

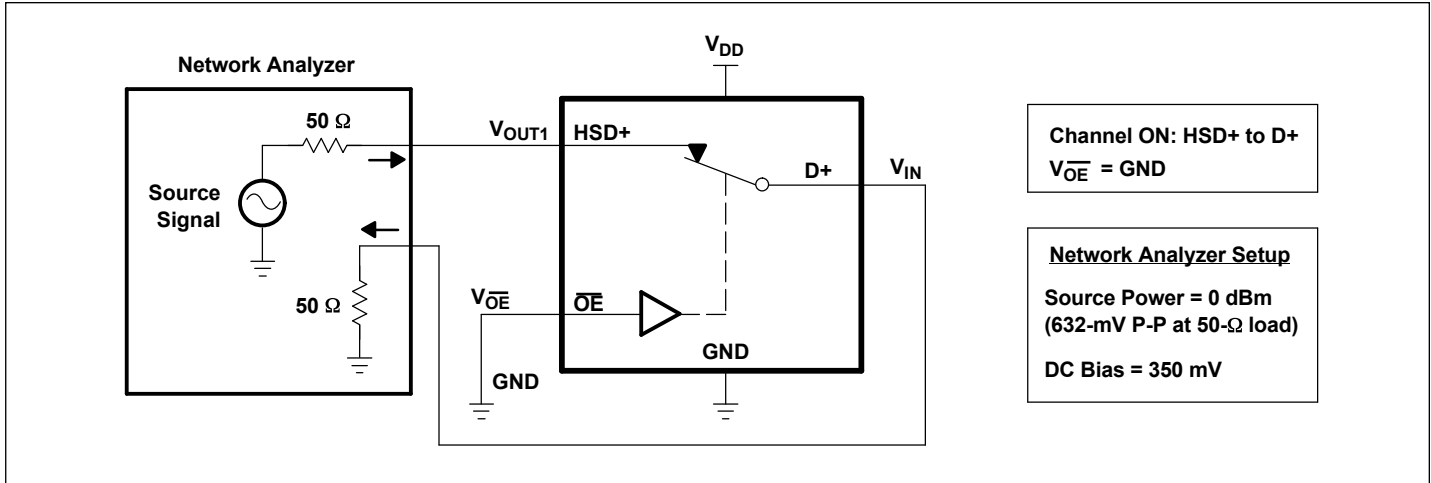


Figure 3. Bandwidth (BW)

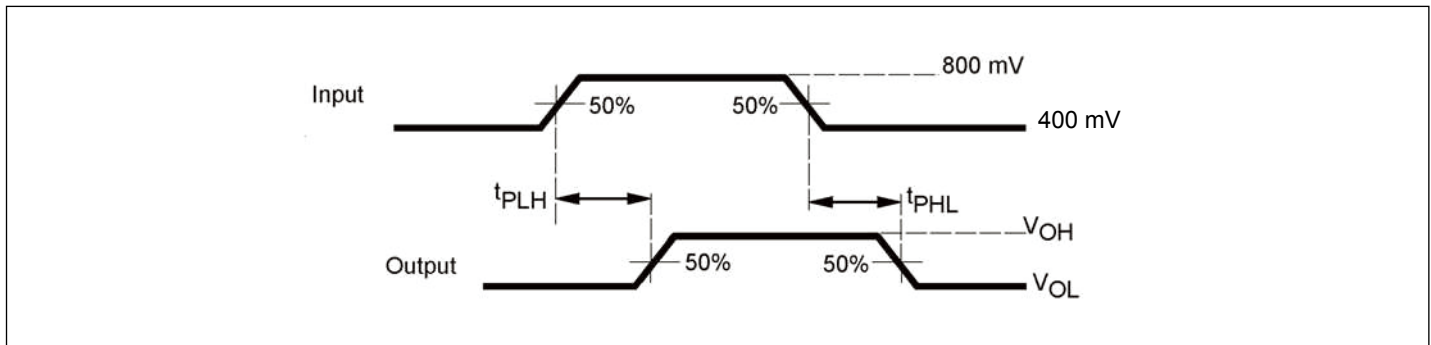
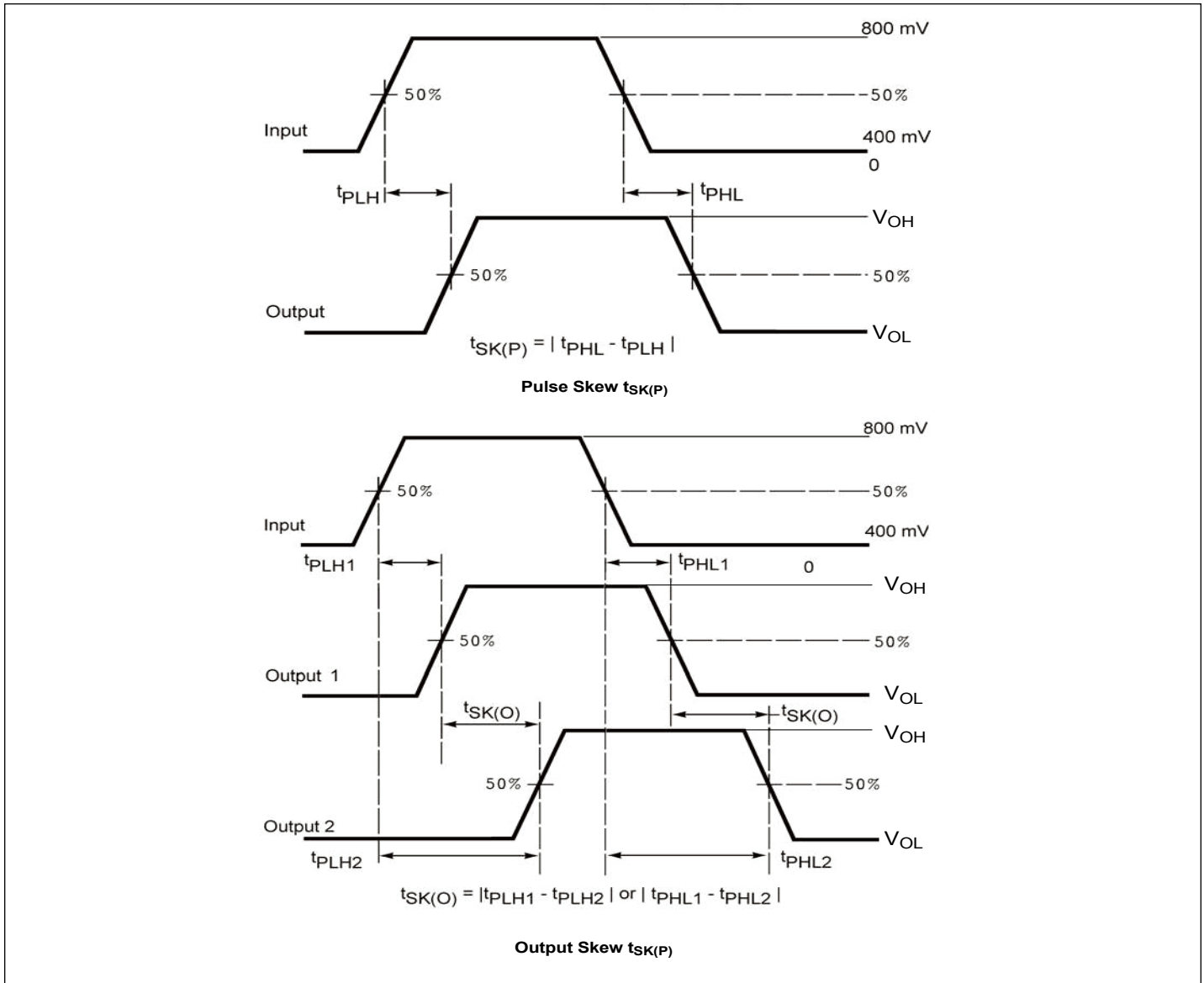


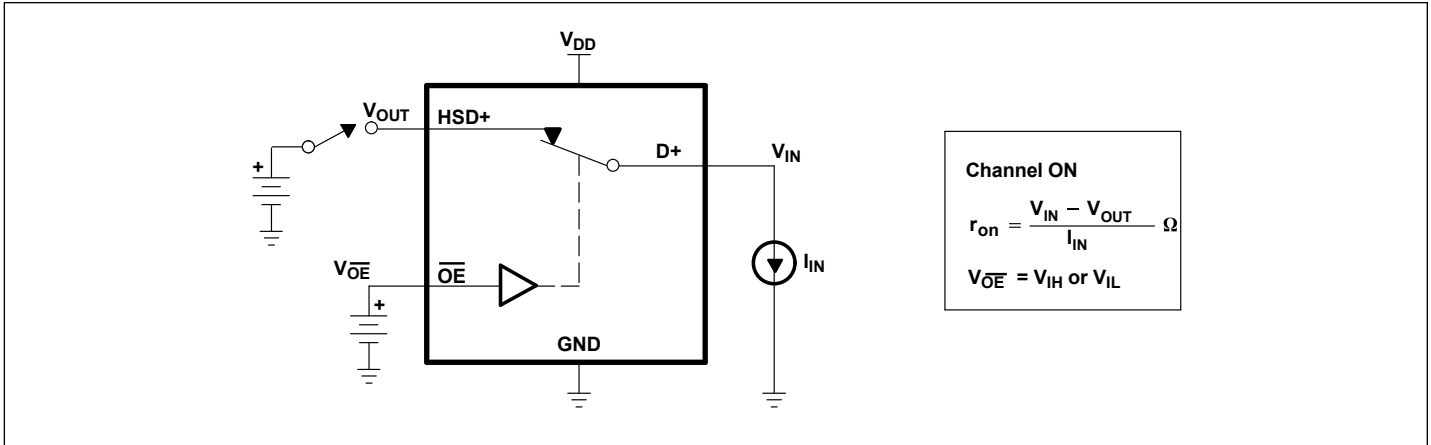
Figure 4. Propagation Delay



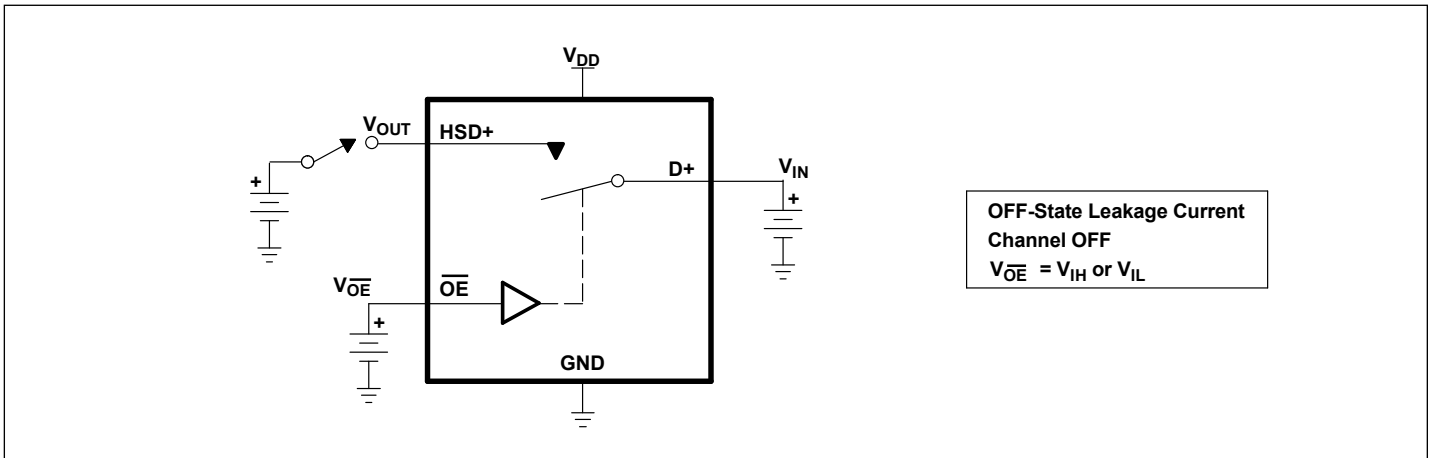


**Figure 5. Skew Test**

**PI3USB31**

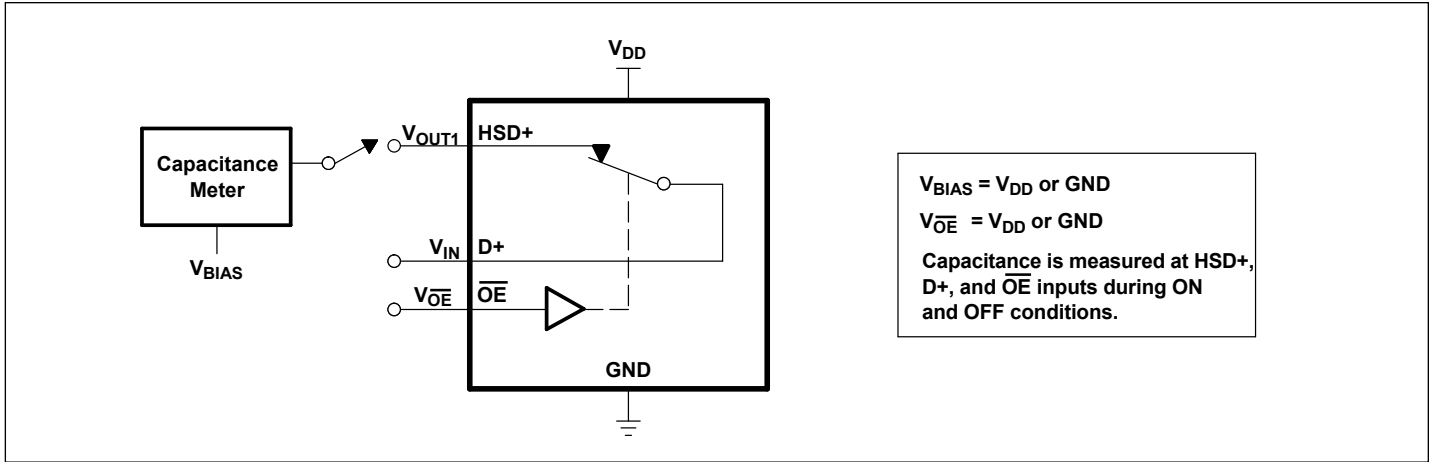


**Figure 6. ON-State Resistance ( $r_{on}$ )**



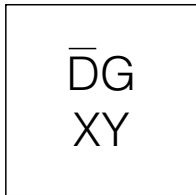
**Figure 7. OFF-State Leakage Current**

**PI3USB31**



**Figure 8. Capacitance**

**Part Marking**



DG: Top Mark

XY: Date Code per MA-1251

**PI3USB31**

**Packaging Mechanical:**

8-UQFN1515-8 (ZUA)

SYMBOLS	MIN.	NOM.	MAX.
A	0.50	0.55	0.60
A1	0.00	0.02	0.05
A3	0.150 REF.		
b	0.20	0.25	0.30
b1	0.25	0.30	0.35
b2	0.15	0.20	0.25
D	1.45	1.50	1.55
E	1.45	1.50	1.55
e	0.50 BSC		
L	0.30	0.35	0.40
L1	0.35	0.40	0.45

**NOTE:**  
 1. ALL DIMENSIONS ARE IN mm. ANGLES IN DEGREES  
 2. REFER JEDEC MO-288  
 3. RECOMMENDED LAND PATTERN IS FOR REFERENCE ONLY.

**DATE: 07/23/20**  
**DESCRIPTION: 8-contact, U-QFN1515-8**  
**PACKAGE CODE: ZUA (ZUA8)**  
**DOCUMENT CONTROL #: PD-2260**  
**REVISION: -**

For latest package info.

please check: <http://www.diodes.com/design/support/packaging/pericom-packaging/packaging-mechanicals-and-thermal-characteristics/>

**Ordering Information**

Ordering Code	Package Code	Description	Top Mark
PI3USB31ZUAEX	ZUA	8-contact (U-QFN1515-8)	DG

**Notes:**

1. No purposely added lead. Fully EU Directive 2002/95/EC (RoHS), 2011/65/EU (RoHS 2) & 2015/863/EU (RoHS 3) compliant.
2. See <https://www.diodes.com/quality/lead-free/> for more information about Diodes Incorporated's definitions of Halogen- and Antimony-free, "Green" and Lead-free.
3. Halogen- and Antimony-free "Green" products are defined as those which contain <900ppm bromine, <900ppm chlorine (<1500ppm total Br + Cl) and <1000ppm antimony compounds.
4. E = Pb-free and Green
5. X suffix = Tape/Reel

**IMPORTANT NOTICE**

1. DIODES INCORPORATED AND ITS SUBSIDIARIES ("DIODES") MAKE NO WARRANTY OF ANY KIND, EXPRESS OR IMPLIED, WITH REGARDS TO ANY INFORMATION CONTAINED IN THIS DOCUMENT, INCLUDING, BUT NOT LIMITED TO, THE IMPLIED WARRANTIES OF MERCHANTABILITY, FITNESS FOR A PARTICULAR PURPOSE OR NON-INFRINGEMENT OF THIRD PARTY INTELLECTUAL PROPERTY RIGHTS (AND THEIR EQUIVALENTS UNDER THE LAWS OF ANY JURISDICTION).

2. The Information contained herein is for informational purpose only and is provided only to illustrate the operation of Diodes products described herein and application examples. Diodes does not assume any liability arising out of the application or use of this document or any product described herein. This document is intended for skilled and technically trained engineering customers and users who design with Diodes products. Diodes products may be used to facilitate safety-related applications; however, in all instances customers and users are responsible for (a) selecting the appropriate Diodes products for their applications, (b) evaluating the suitability of the Diodes products for their intended applications, (c) ensuring their applications, which incorporate Diodes products, comply the applicable legal and regulatory requirements as well as safety and functional-safety related standards, and (d) ensuring they design with appropriate safeguards (including testing, validation, quality control techniques, redundancy, malfunction prevention, and appropriate treatment for aging degradation) to minimize the risks associated with their applications.

3. Diodes assumes no liability for any application-related information, support, assistance or feedback that may be provided by Diodes from time to time. Any customer or user of this document or products described herein will assume all risks and liabilities associated with such use, and will hold Diodes and all companies whose products are represented herein or on Diodes' websites, harmless against all damages and liabilities.

4. Products described herein may be covered by one or more United States, international or foreign patents and pending patent applications. Product names and markings noted herein may also be covered by one or more United States, international or foreign trademarks and trademark applications. Diodes does not convey any license under any of its intellectual property rights or the rights of any third parties (including third parties whose products and services may be described in this document or on Diodes' website) under this document.

5. Diodes products are provided subject to Diodes' Standard Terms and Conditions of Sale (<https://www.diodes.com/about/company/terms-and-conditions/terms-and-conditions-of-sales/>) or other applicable terms. This document does not alter or expand the applicable warranties provided by Diodes. Diodes does not warrant or accept any liability whatsoever in respect of any products purchased through unauthorized sales channel.

6. Diodes products and technology may not be used for or incorporated into any products or systems whose manufacture, use or sale is prohibited under any applicable laws and regulations. Should customers or users use Diodes products in contravention of any applicable laws or regulations, or for any unintended or unauthorized application, customers and users will (a) be solely responsible for any damages, losses or penalties arising in connection therewith or as a result thereof, and (b) indemnify and hold Diodes and its representatives and agents harmless against any and all claims, damages, expenses, and attorney fees arising out of, directly or indirectly, any claim relating to any noncompliance with the applicable laws and regulations, as well as any unintended or unauthorized application.

7. While efforts have been made to ensure the information contained in this document is accurate, complete and current, it may contain technical inaccuracies, omissions and typographical errors. Diodes does not warrant that information contained in this document is error-free and Diodes is under no obligation to update or otherwise correct this information. Notwithstanding the foregoing, Diodes reserves the right to make modifications, enhancements, improvements, corrections or other changes without further notice to this document and any product described herein. This document is written in English but may be translated into multiple languages for reference. Only the English version of this document is the final and determinative format released by Diodes.

8. Any unauthorized copying, modification, distribution, transmission, display or other use of this document (or any portion hereof) is prohibited. Diodes assumes no responsibility for any losses incurred by the customers or users or any third parties arising from any such unauthorized use.

Copyright © 2021 Diodes Incorporated

[www.diodes.com](http://www.diodes.com)